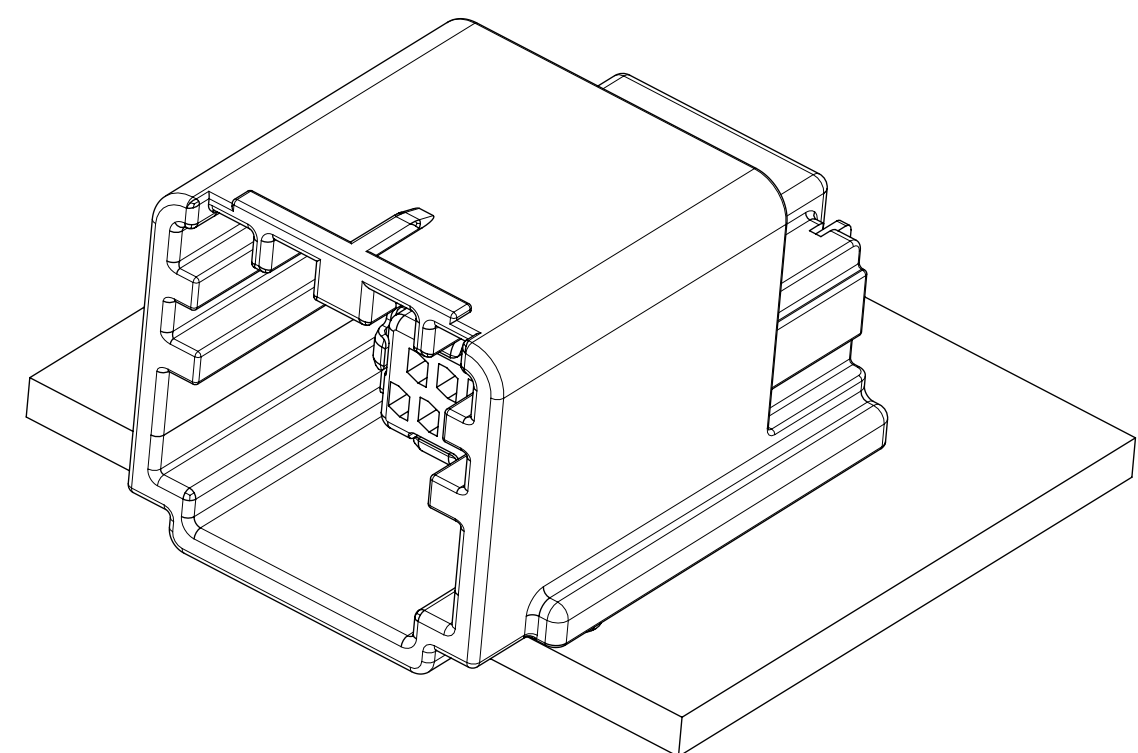


TABLE OF CONTENTS	
SHEET NO.	SHEET DESCRIPTION
1	NOTES, BOM & EXPLODED VIEWS
2	CONFIRGURATIONS
3	CONNECTOR & PCB INTERFACE
4	RECOMMENDED PCB LAYOUT
5	RECOMMENDED PCB LAYOUT (2 SHIELD TAB VERSION)
6	RECOMMENDED PCB LAYOUT (SMT VERSION)

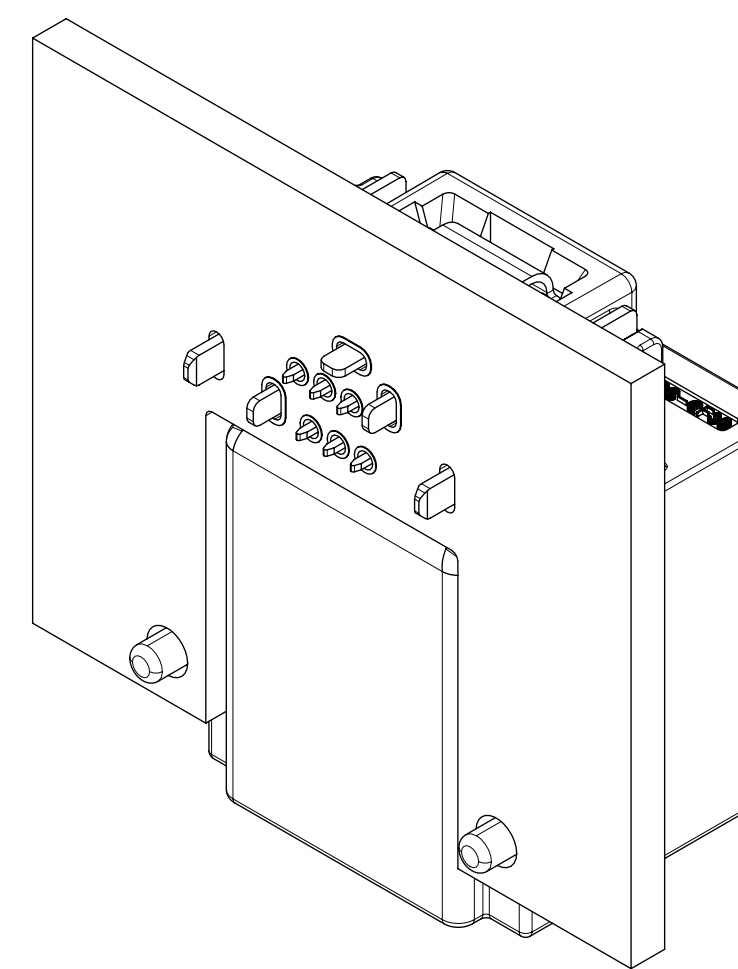


**NOTES:**

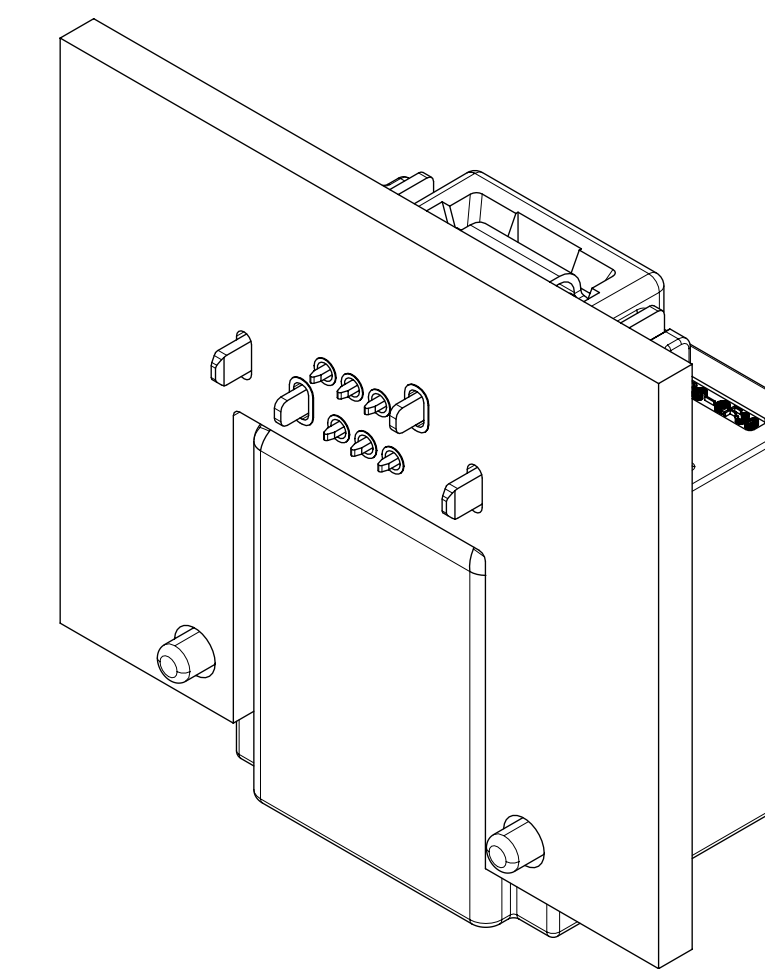
1. GENERAL:
  - a. APPLICATION SPECIFICATION SEE: AS-111149-002
  - b. PRODUCT SPECIFICATION SEE: PS-34861-001
  - c. PACKAGING SPECIFICATION PER MOLEX DRAWING: PK-31302-334
  - d. PARTS MUST BE IN COMPLIANCE TO MOLEX CHEMICAL SUBSTANCES FOR PRODUCTS AND PACKAGING SPECIFICATION: QEHS-699000-300
  - e. DATA MUST BE SUBMITTED UNDER THE MOLEX PART NUMBER TO IMDS (COMPANY ID#13255)
  - f. PCB TO BE FR4 .062" (1.57mm) THICK
  - g. MATING CONNECTOR MINIMUM CLEARANCE: REGION TO REMAIN CLEAR OF MODULE COMPONENTS, ADHESIVE, DEBRIS, ETC.
2. DESIGN - MATERIALS:
  - a. HEADER HOUSING - SPS GF30%
  - b. TERMINALS - COPPER ALLOY  
OVERMOLDING - LCP GF30%  
MATE-SIDE PLATING: SELECTIVE GOLD OVER NICKEL  
PCB-SIDE PLATING: TIN OVER NICKEL
  - c. BISCUIT HOUSING - SPS GF30%
  - d. SHIELDS - COPPER ALLOY  
PLATING (OVERALL): TIN OVER NICKEL
3. DESIGN - GEOMETRY:
  - a. GEOMETRIC DIMENSIONS AND TOLERANCES PER ASME Y14.5M-2009
  - b. EDGES AND UNDIMENSIONED DETAILS PER ISO13715
  - c. CORNERS SHOWN AS SHARP TO BE R0.2 MAX.
4. LASER MARKING TO BE MARKED WITH:
  - HUMAN READABLE CODE (HRC)
  - PERMANENTLY APPLIED ON THE PART WITH 1.5mm LETTER SIZE
  - 5DIGIT JULIAN MANUFACTURING DATE STAMP YYDDD

DESCRIPTION	PART NUMBER	CIRCUIT SIZE	COLOR	STATUS
6 CKT UNSEALED RIGHT ANGLE HEADER ASSEMBLY - KEY A	160063-1103	2X3	BLACK	SALEABLE
6 CKT UNSEALED RIGHT ANGLE HEADER ASSEMBLY - KEY B	160063-1113	2X3	GREY	SALEABLE
6 CKT UNSEALED RIGHT ANGLE HEADER ASSEMBLY - KEY C	160063-1123	2X3	DARK GREY	SALEABLE
6 CKT UNSEALED RIGHT ANGLE HEADER ASSEMBLY - KEY D	160063-1133	2X3	GREEN	SALEABLE
6 CKT UNSEALED RIGHT ANGLE HEADER ASSEMBLY - KEY A W/ 2 SHIELD TABS	160063-1303	2X3	BLACK	SALEABLE
6 CKT UNSEALED RIGHT ANGLE HEADER ASSEMBLY - KEY B W/ 2 SHIELD TABS	160063-1313	2X3	GREY	SALEABLE
6 CKT UNSEALED RIGHT ANGLE SMT HEADER ASSEMBLY - KEY A	160063-2103	2x3	BLACK	OK TO TOOL
6 CKT UNSEALED RIGHT ANGLE SMT HEADER ASSEMBLY - KEY B	160063-2113	2x3	GREY	OK TO TOOL
6 CKT UNSEALED RIGHT ANGLE SMT HEADER ASSEMBLY - KEY C	160063-2123	2x3	DARK GREY	OK TO TOOL

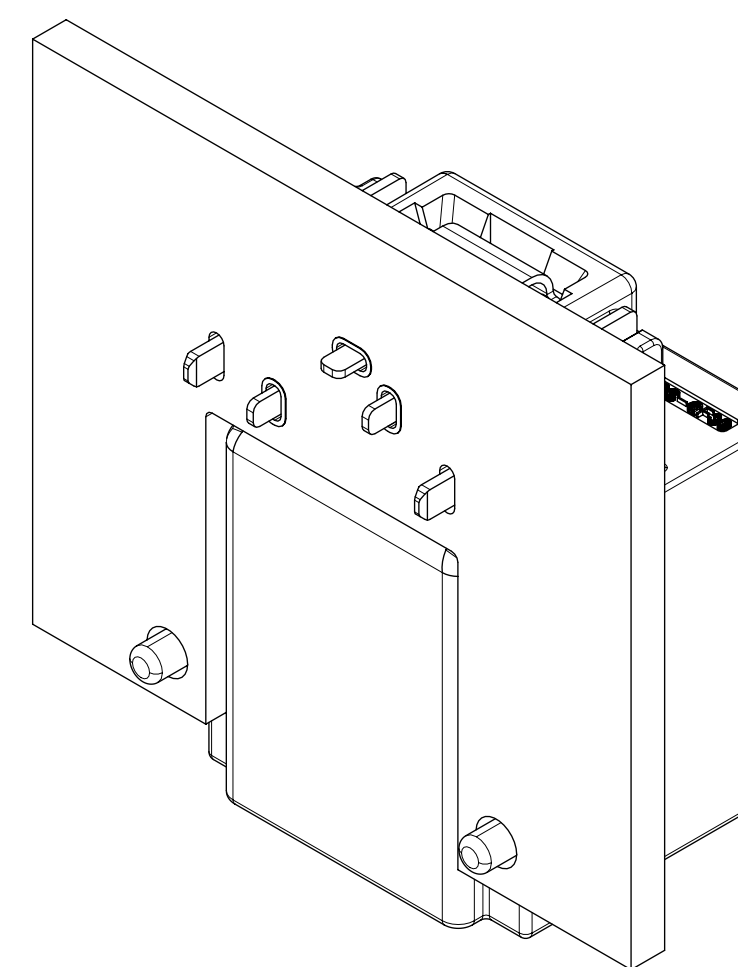
6 CKT UNSEALED RIGHT ANGLE HEADER ASSEMBLY  
STANDARD VERSION(160063-11X3)



6 CKT UNSEALED RIGHT ANGLE HEADER ASSEMBLY  
2 SHIELD TAB VERSION(160063-13X3)



6 CKT UNSEALED RIGHT ANGLE HEADER ASSEMBLY  
SMT VERSION(160063-21X3) \*NOT QUALIFIED\*



A7	OBSOLETE PART NUMBERS 1600631143, 1600631153, 1600631323, 1600631333, 1600631343 & 1600631353	RPRABHUM	1MARCH2021
A6	UPDATED PCB LAYOUT - PIN HOLE DIA	SUDAYGUNAGI	30JUNE2020
REV	DESCRIPTION	ENGINEER	DATE

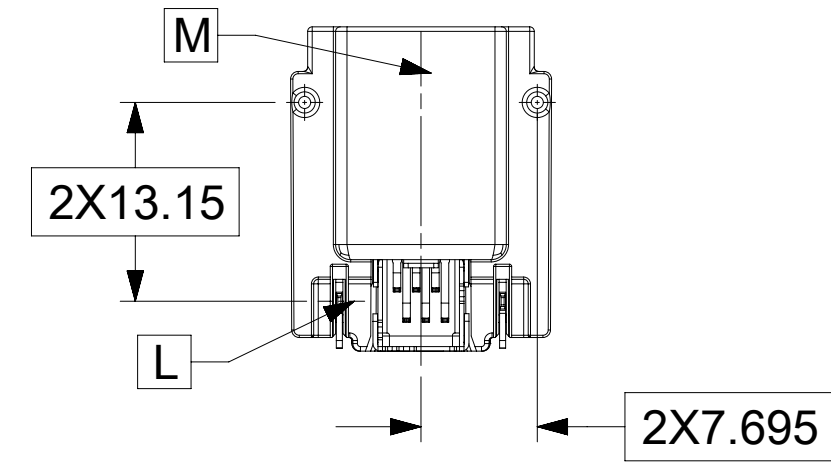
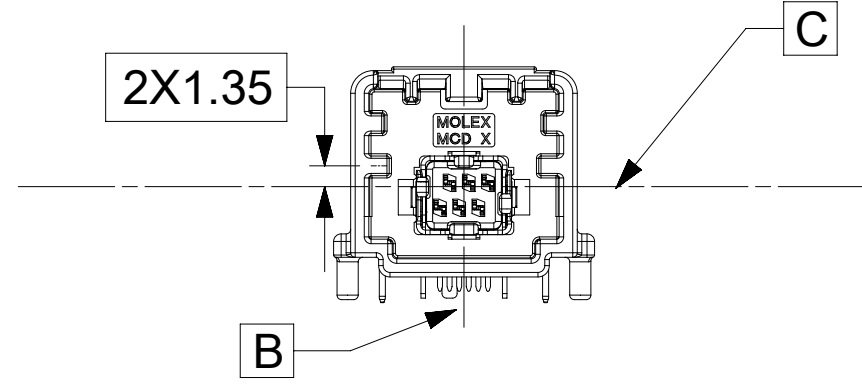
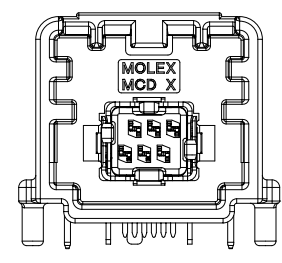
THIS DRAWING CONTAINS INFORMATION THAT IS PROPRIETARY TO MOLEX ELECTRONIC TECHNOLOGIES, LLC AND SHOULD NOT BE USED WITHOUT WRITTEN PERMISSION			
DIMENSION UNITS <b>mm</b>	SCALE <b>4:1</b>	CURRENT REV DESC: OBSOLETE PART NUMBERS AS PER PCN 509458	
GENERAL TOLERANCES (UNLESS SPECIFIED)		<p><b>molex</b></p> <p>6 CKT HSAUTOLINK II RIGHT ANGLE UNSEALED HEADER ASSEMBLY</p> <p>PRODUCT CUSTOMER DRAWING</p>	
ANGULAR TOL	± 1.0°		
4 PLACES	±		
3 PLACES	±		
2 PLACES	± 0.13		
1 PLACE	± 0.25	EC NO: 659363	2021/03/01
0 PLACES	±	DRWN: RPRABHUM	2021/04/06
DRAFT WHERE APPLICABLE MUST REMAIN WITHIN DIMENSIONS		CHK'D: GGA	2021/04/06
THIRD ANGLE PROJECTION		APPR: GGA	2021/04/06
INITIAL REVISION:		DRWN: DGILKEY	2016/09/06
DRAWING		APPR: CEHAYNES	2016/09/19
SERIES		DOCUMENT NUMBER	
<b>D-SIZE 160063</b>		<b>SD-160063-1103</b>	
MATERIAL NUMBER		DOC TYPE	DOC PART
SEE TABLE		PSD	000
CUSTOMER		REVISION	
GENERAL MARKET		<b>A7</b>	
SHEET NUMBER		1 OF 6	

**SHEET DESCRIPTION**  
CONFIGURATIONS

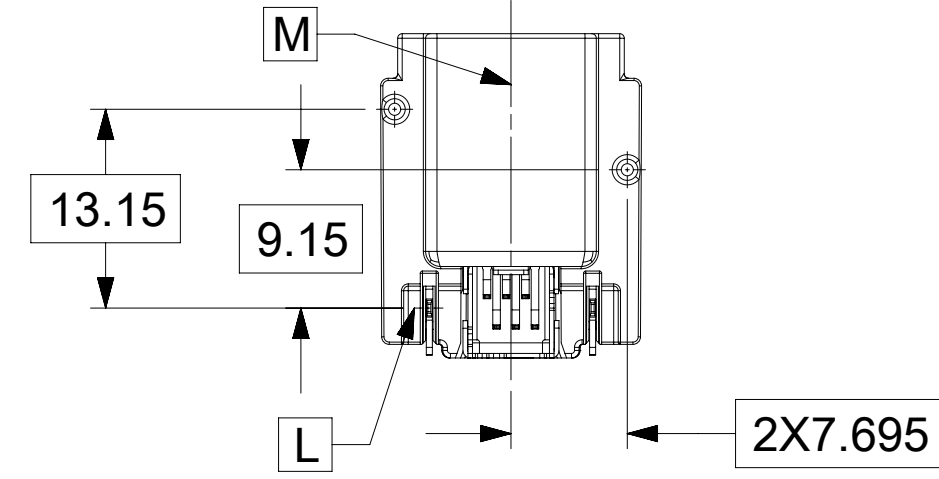
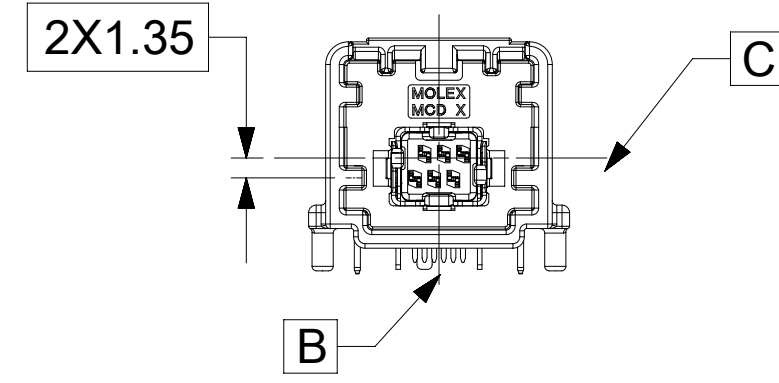
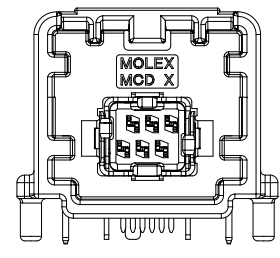
**MATE INTERFACE**  
KEY OPTIONS

**PCB INTERFACE**  
KEY OPTIONS

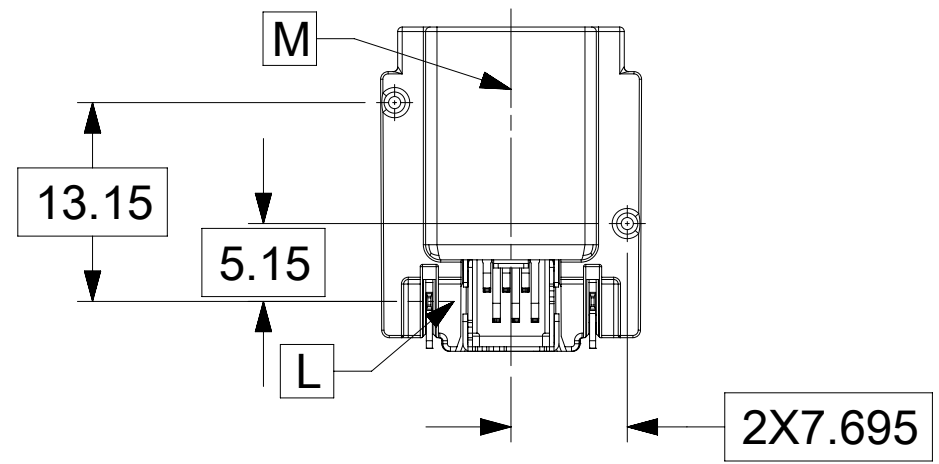
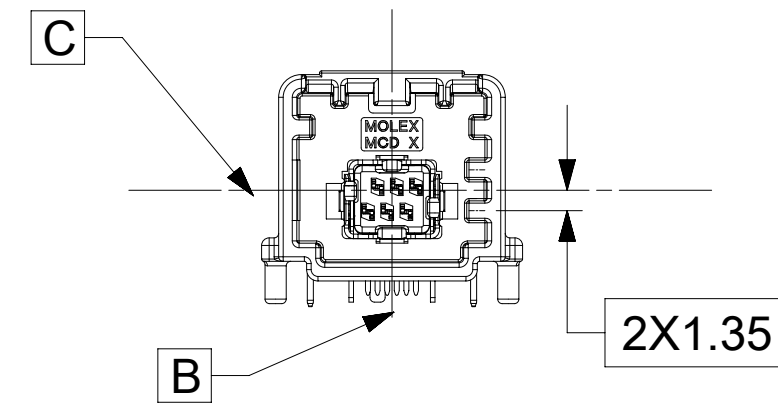
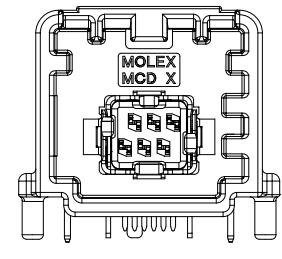
KEY OPTION A  
COLOR: BLACK



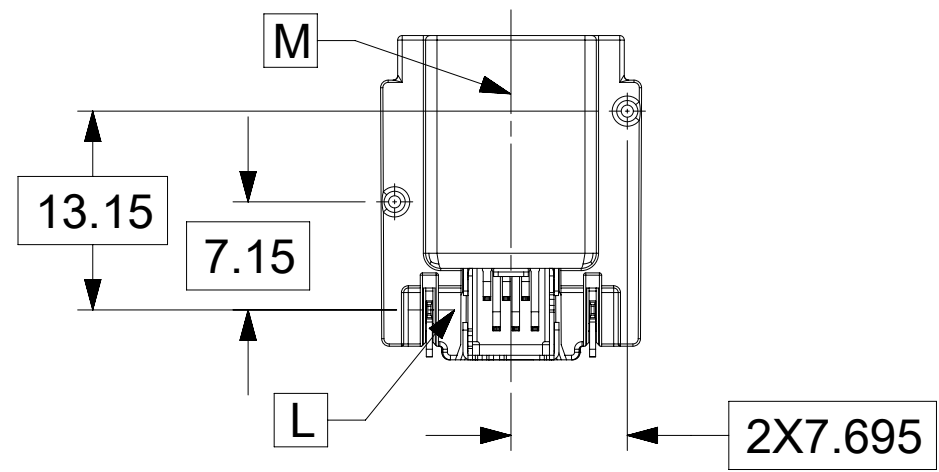
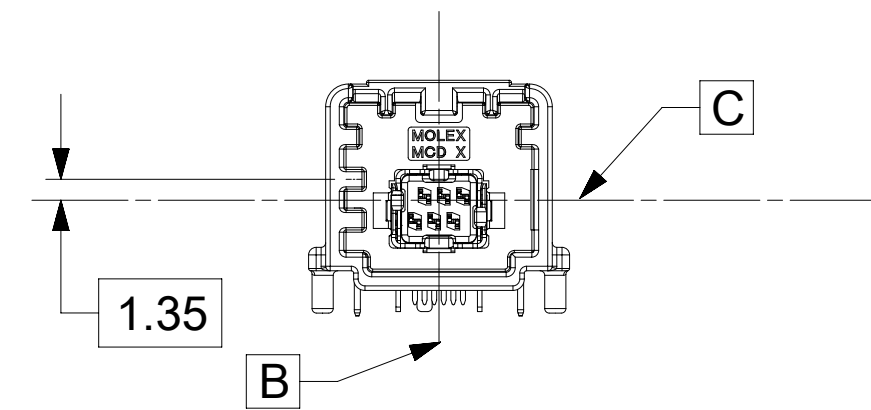
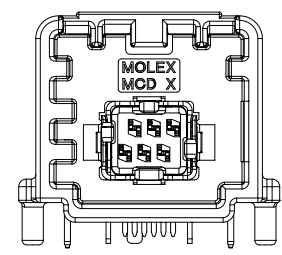
KEY OPTION B  
COLOR: GREY



KEY OPTION C  
COLOR: DARK GREY



KEY OPTION D  
COLOR: GREEN



THIS DRAWING CONTAINS INFORMATION THAT IS PROPRIETARY TO MOLEX ELECTRONIC TECHNOLOGIES, LLC AND SHOULD NOT BE USED WITHOUT WRITTEN PERMISSION

DIMENSION UNITS: mm  
SCALE: 1:1

CURRENT REV DESC: OBSOLETE PART NUMBERS  
AS PER PCN 509458

GENERAL TOLERANCES  
(UNLESS SPECIFIED)

ANGULAR TOL ± 1.0°  
4 PLACES ±  
3 PLACES ±  
2 PLACES ± 0.13  
1 PLACE ± 0.25  
0 PLACES ±

EC NO: 659363  
DRWN: RPRABHUM 2021/03/01  
CHK'D: GGA 2021/04/06  
APPR: GGA 2021/04/06  
INITIAL REVISION:  
DRWN: DGILKEY 2016/09/06  
APPR: CEHAYNES 2016/09/19

**molex**

6 CKT HSAUTOLINK II  
RIGHT ANGLE UNSEALED HEADER ASSEMBLY

PRODUCT CUSTOMER DRAWING

DOCUMENT NUMBER	DOC TYPE	DOC PART	REVISION
SD-160063-1103	PSD	000	A7

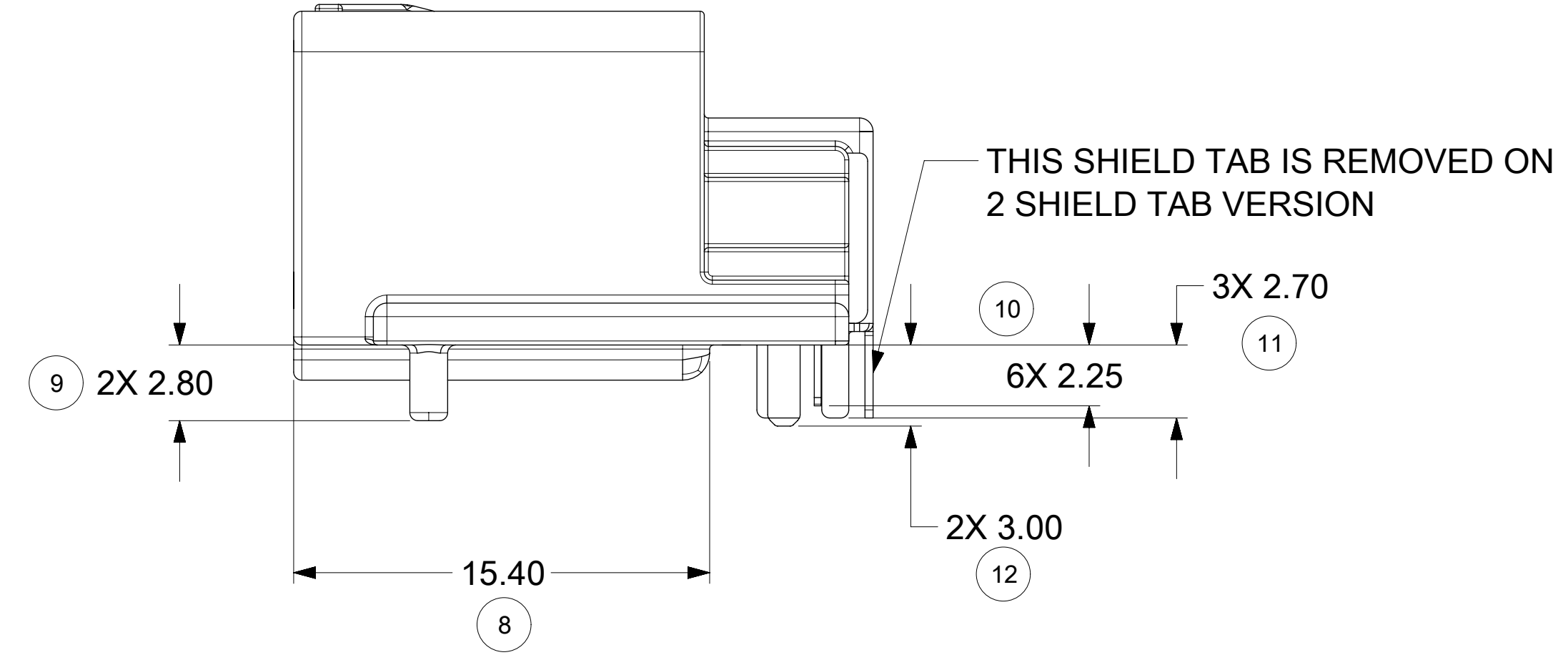
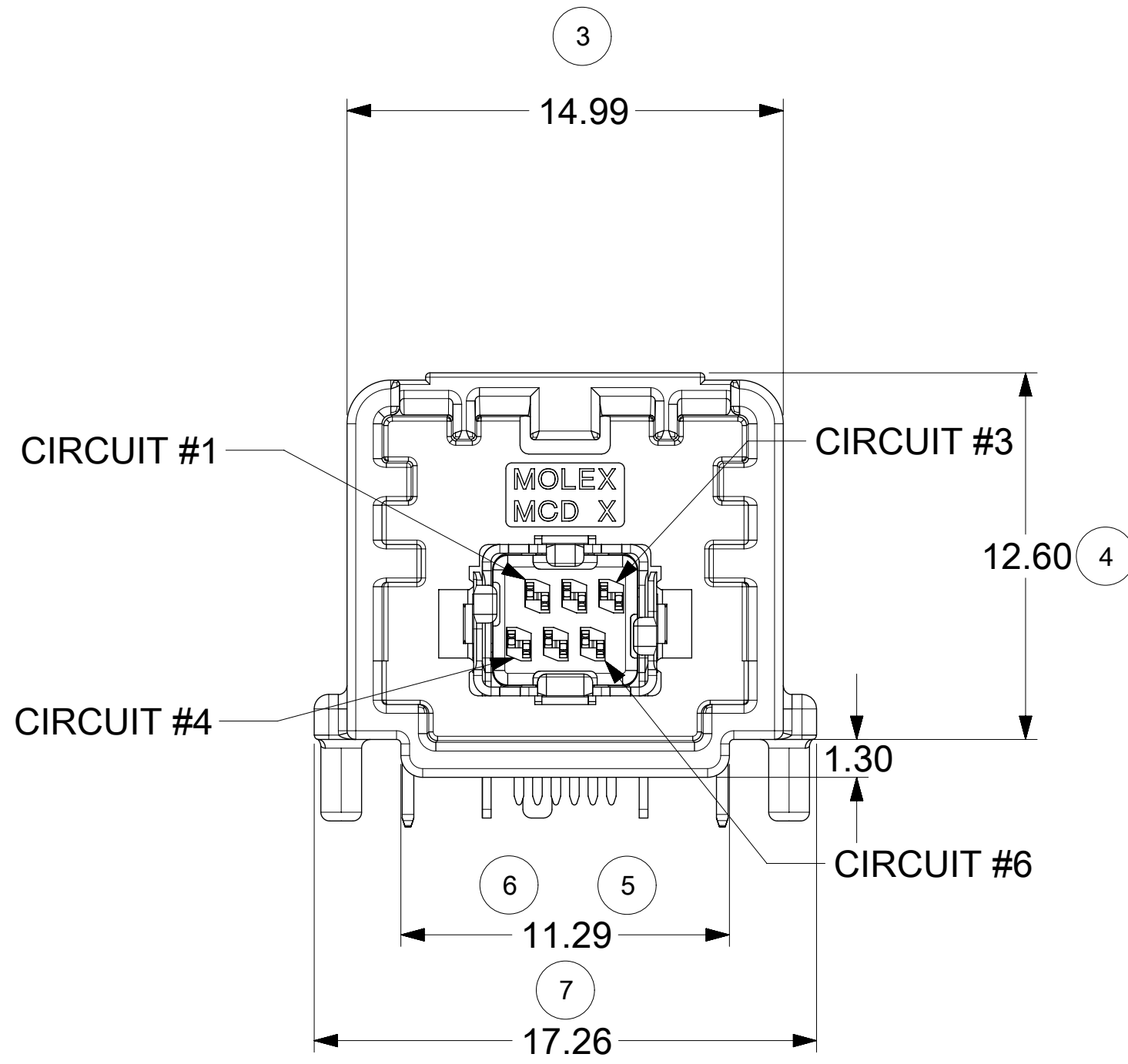
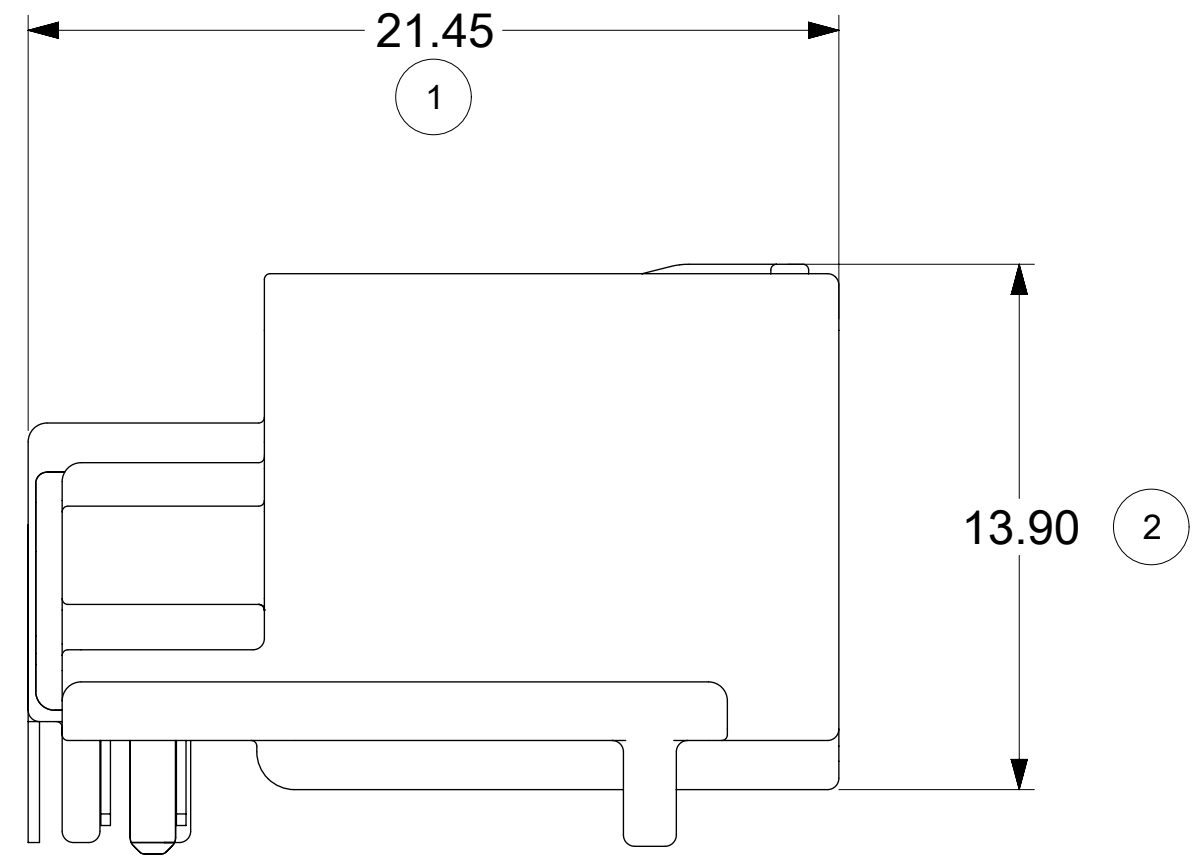
DRAFT WHERE APPLICABLE  
MUST REMAIN  
WITHIN DIMENSIONS

THIRD ANGLE PROJECTION  
DRAWING

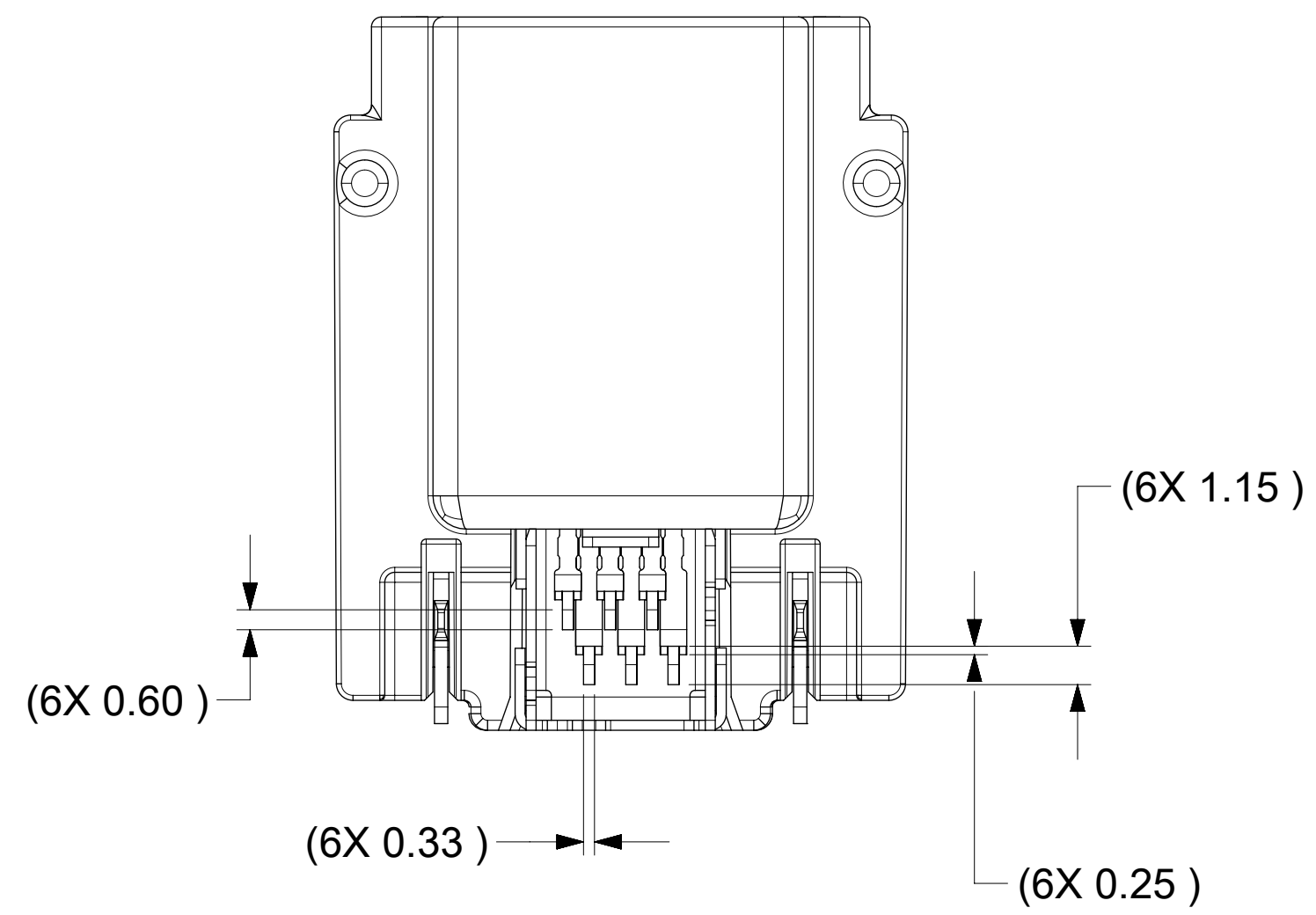
SERIES  
**D-SIZE 160063**

MATERIAL NUMBER	CUSTOMER	SHEET NUMBER
SEE TABLE	GENERAL MARKET	2 OF 6

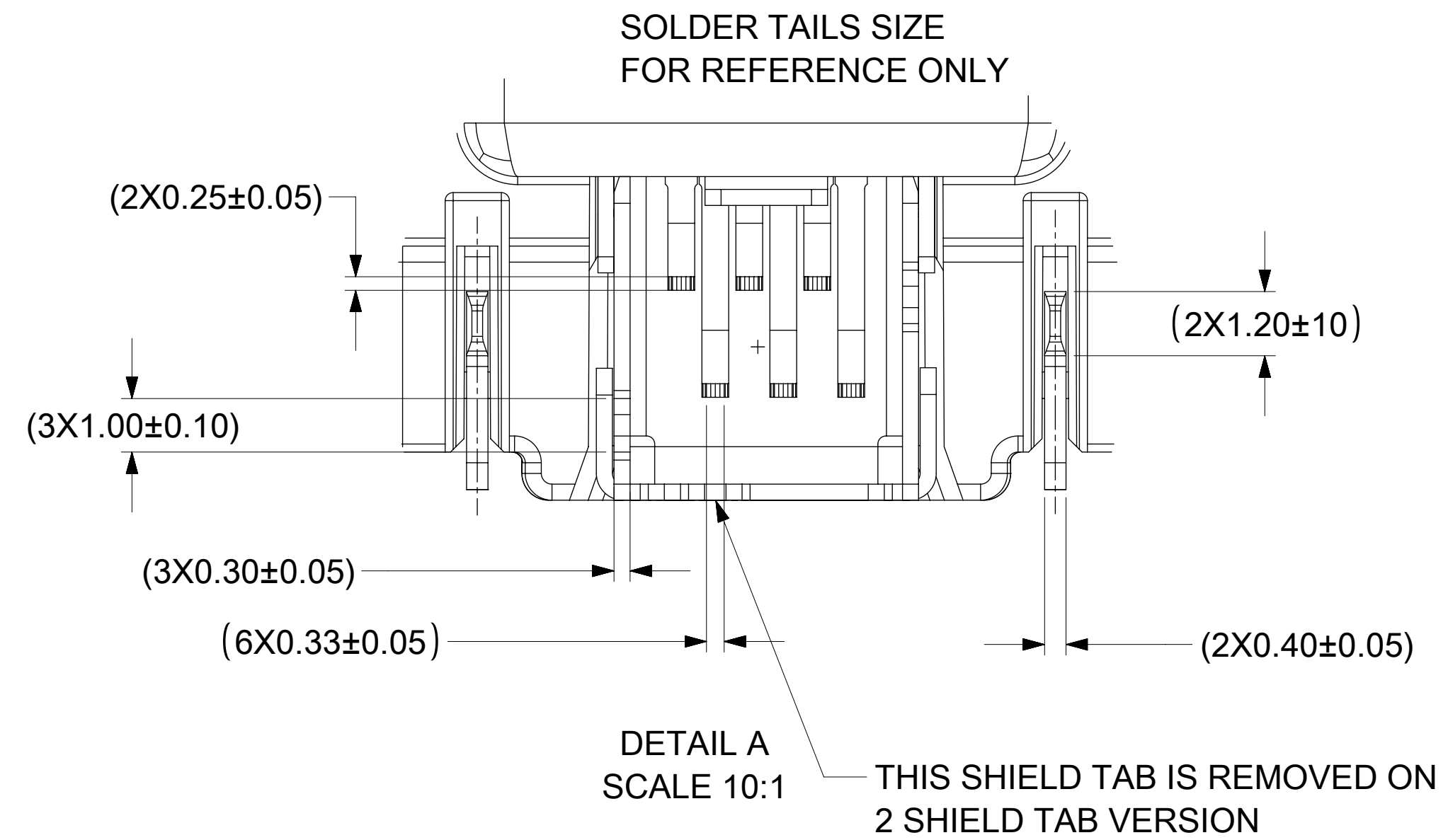
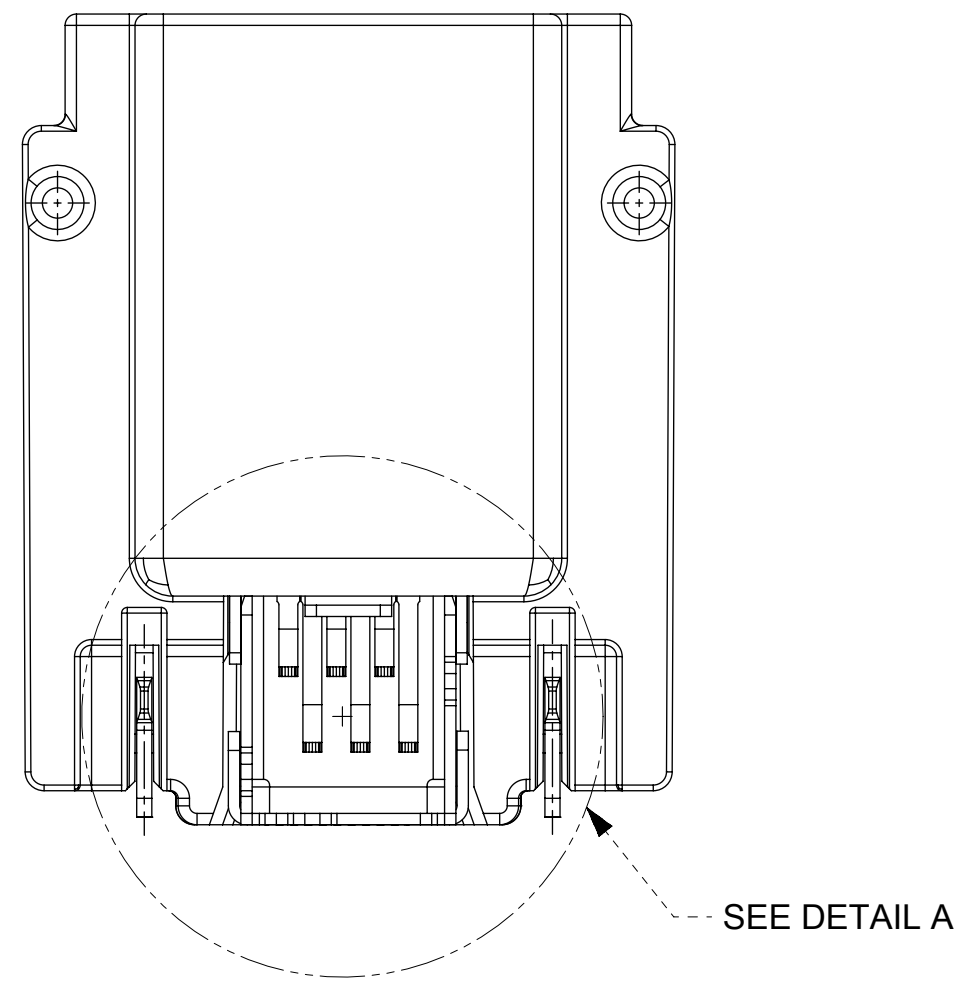
**SHEET DESCRIPTION**  
CONNECTOR & PCB INTERFACE



SMT VERSION \*NOT QUALIFIED\*



STANDARD VERSION



THIS DRAWING CONTAINS INFORMATION THAT IS PROPRIETARY TO MOLEX ELECTRONIC TECHNOLOGIES, LLC AND SHOULD NOT BE USED WITHOUT WRITTEN PERMISSION

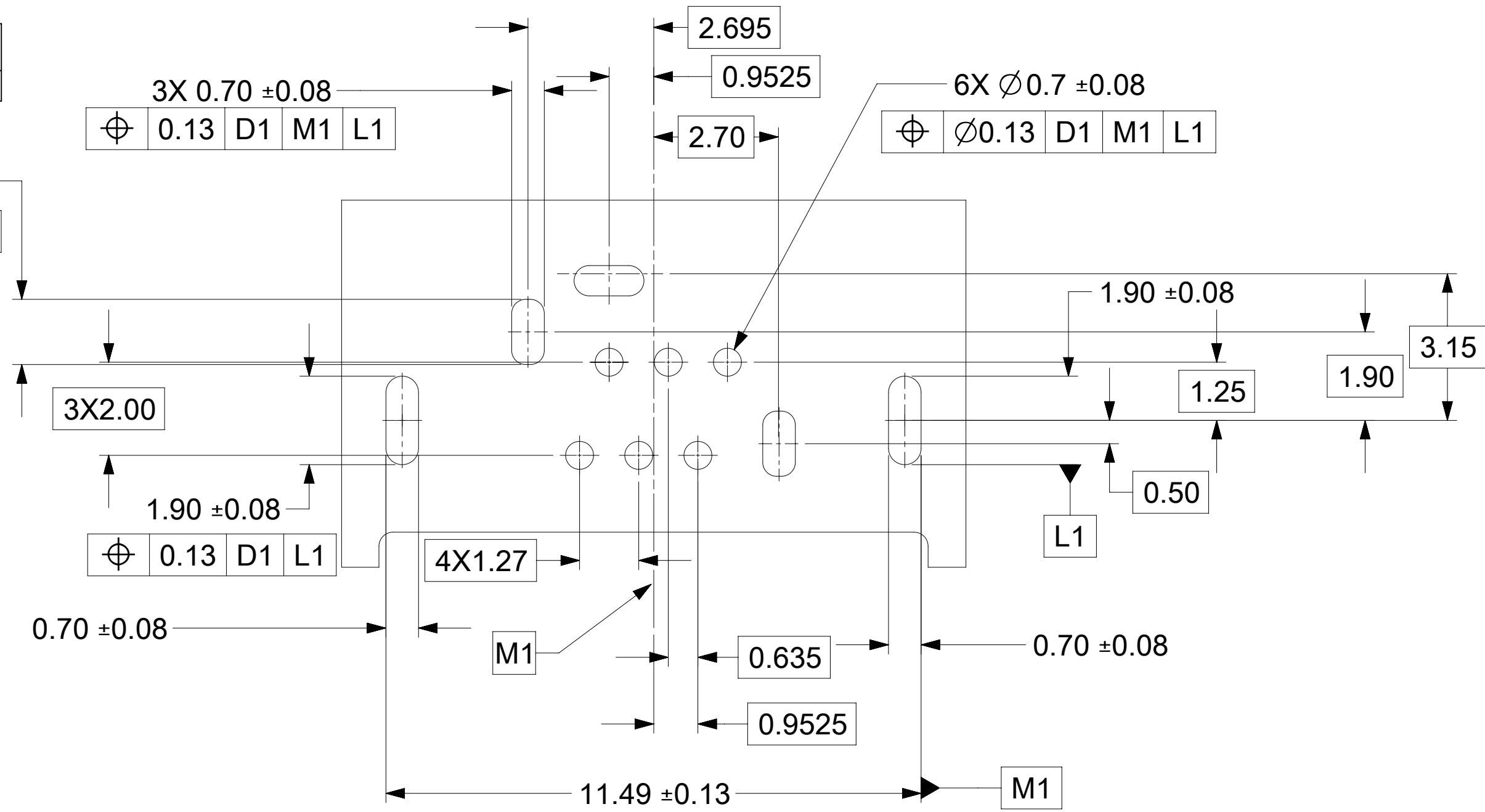
DIMENSION UNITS <b>mm</b>	SCALE <b>5:1</b>	CURRENT REV DESC: OBSOLETE PART NUMBERS AS PER PCN 509458	<b>molex</b>		
GENERAL TOLERANCES (UNLESS SPECIFIED)					
ANGULAR TOL ± 1.0°	4 PLACES ±	EC NO: 659363	PRODUCT CUSTOMER DRAWING		
3 PLACES ±	3 PLACES ±	DRWN: RPRABHUM 2021/03/01	DOCUMENT NUMBER	DOC TYPE	DOC PART
2 PLACES ± 0.13	2 PLACES ±	CHK'D: GGA 2021/04/06	<b>SD-160063-1103</b>	PSD	000
1 PLACE ± 0.25	1 PLACE ±	APPR: GGA 2021/04/06			
0 PLACES ±	0 PLACES ±	INITIAL REVISION: DRWN: DGILKEY 2016/09/06 APPR: CEHAYNES 2016/09/19	MATERIAL NUMBER	CUSTOMER	SHEET NUMBER
DRAFT WHERE APPLICABLE MUST REMAIN WITHIN DIMENSIONS	THIRD ANGLE PROJECTION	DRAWING <b>D-SIZE</b>	SERIES <b>160063</b>	SEE TABLE	GENERAL MARKET

**SHEET DESCRIPTION**  
PCB LAYOUT (STANDARD)

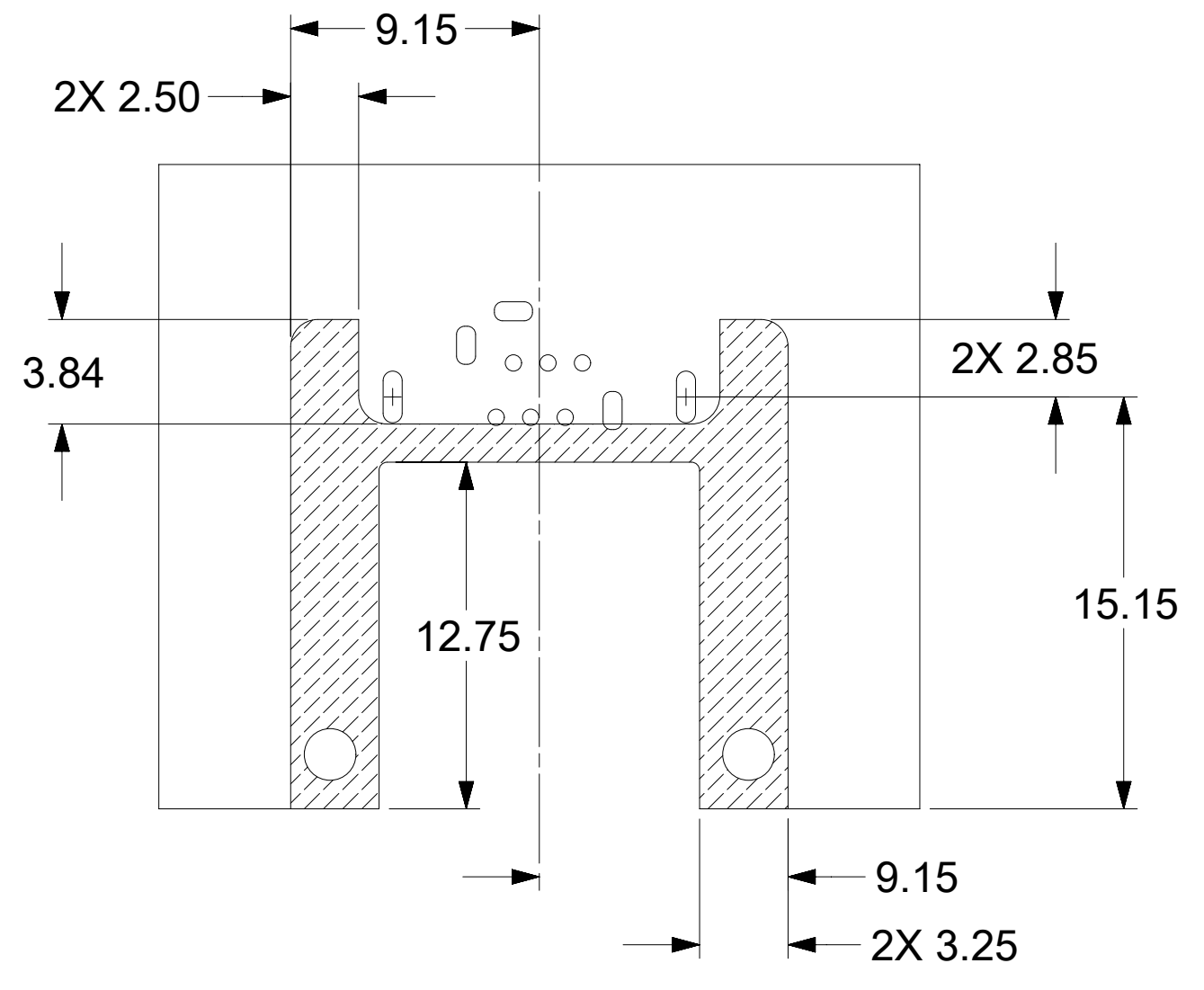
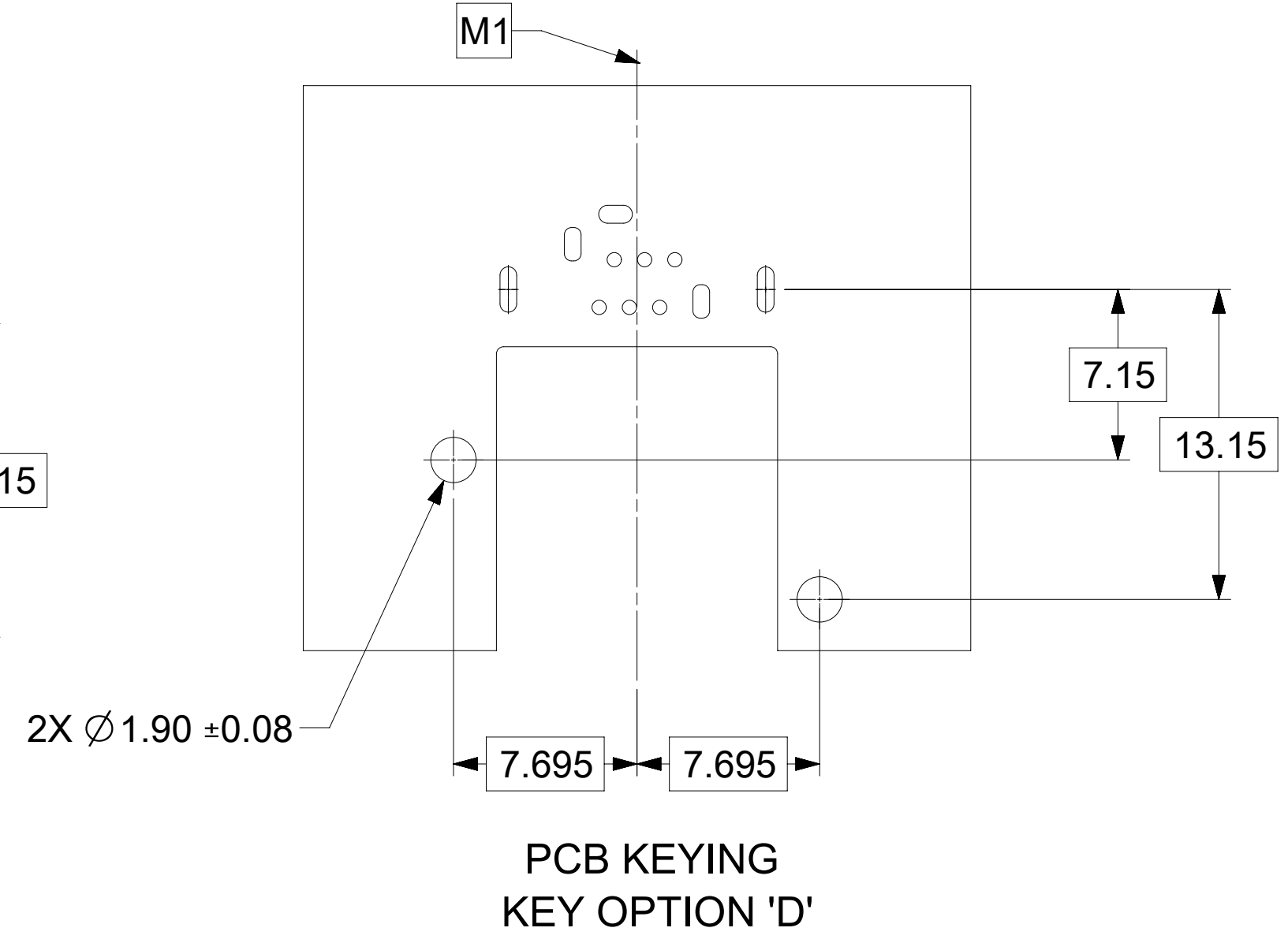
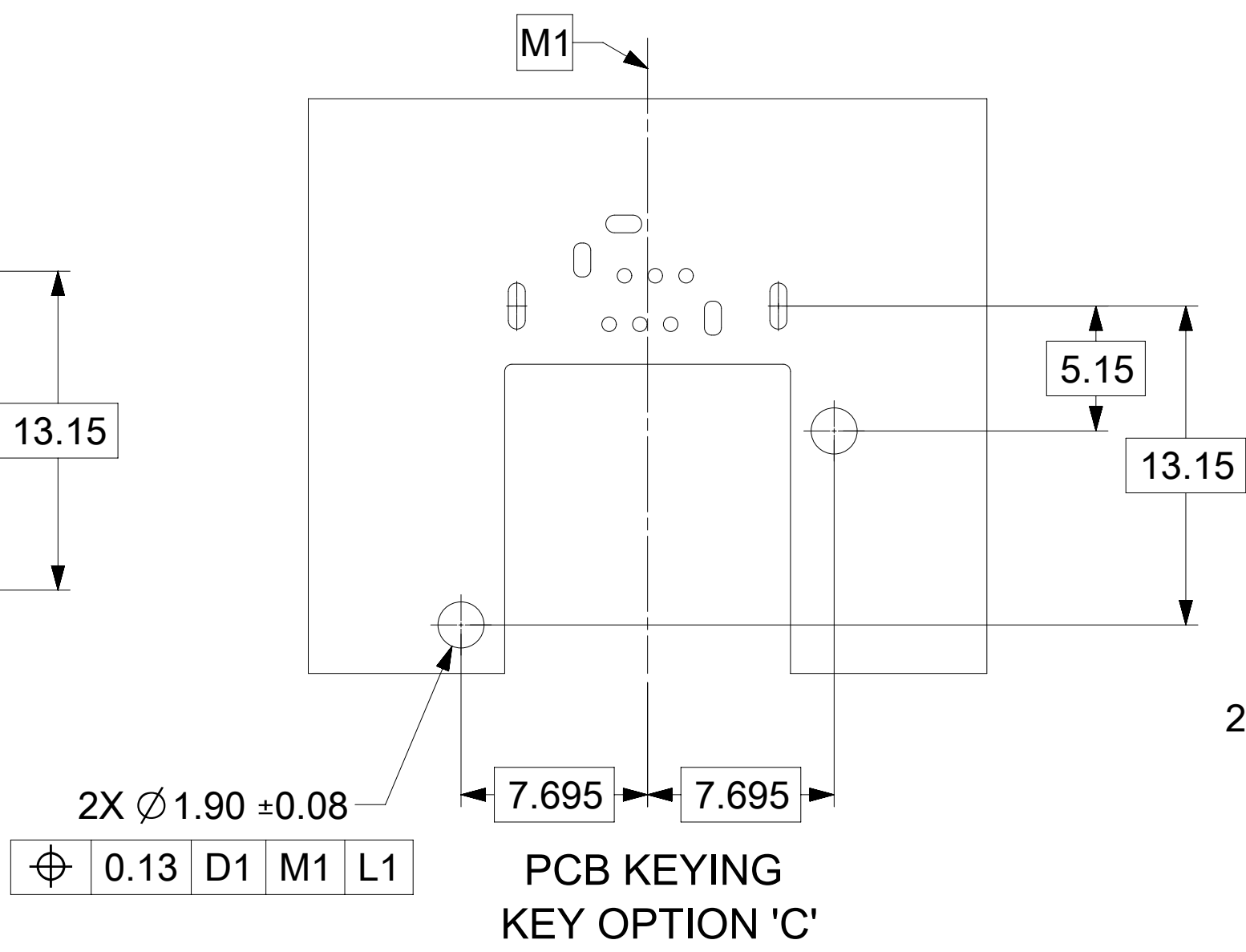
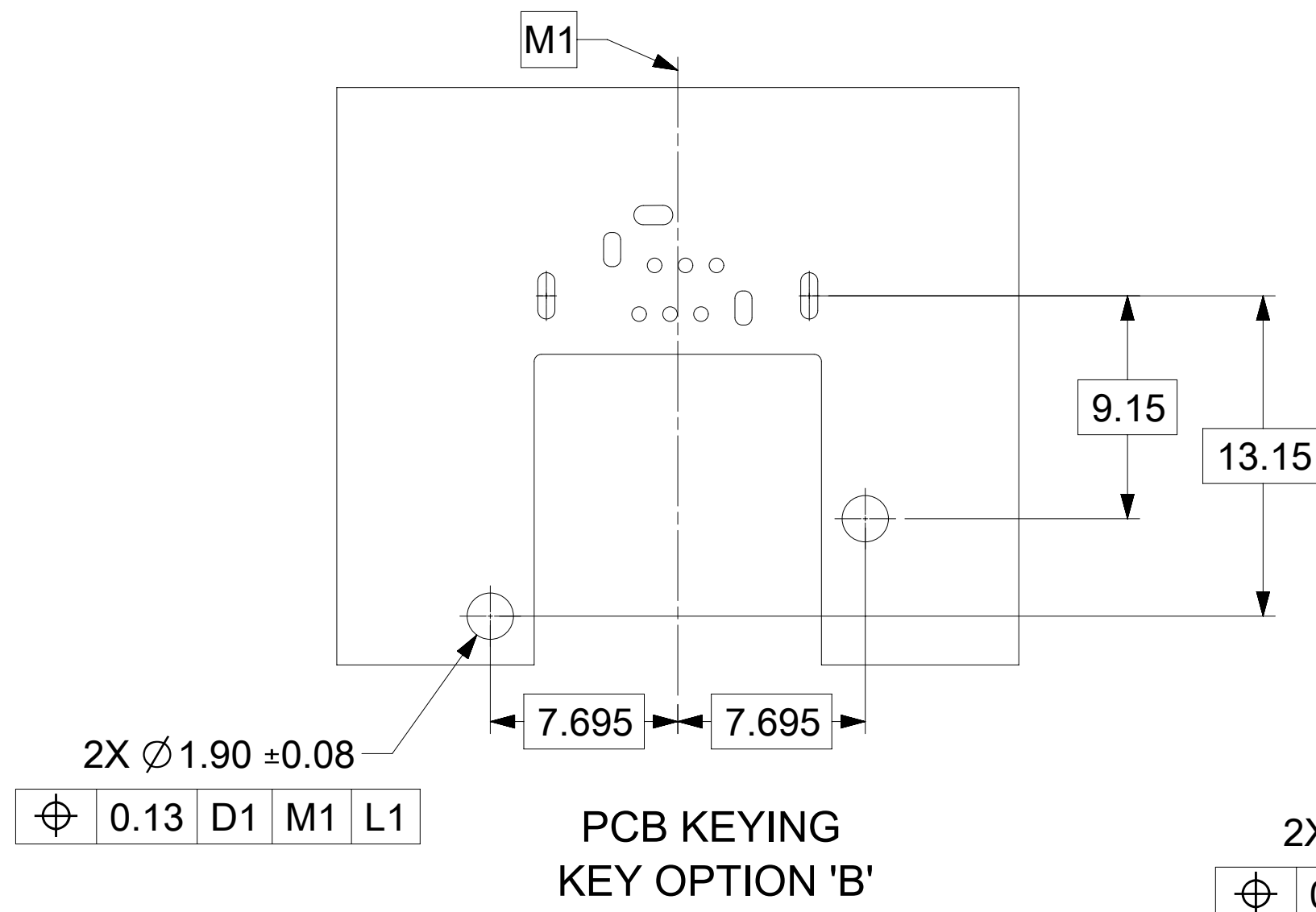
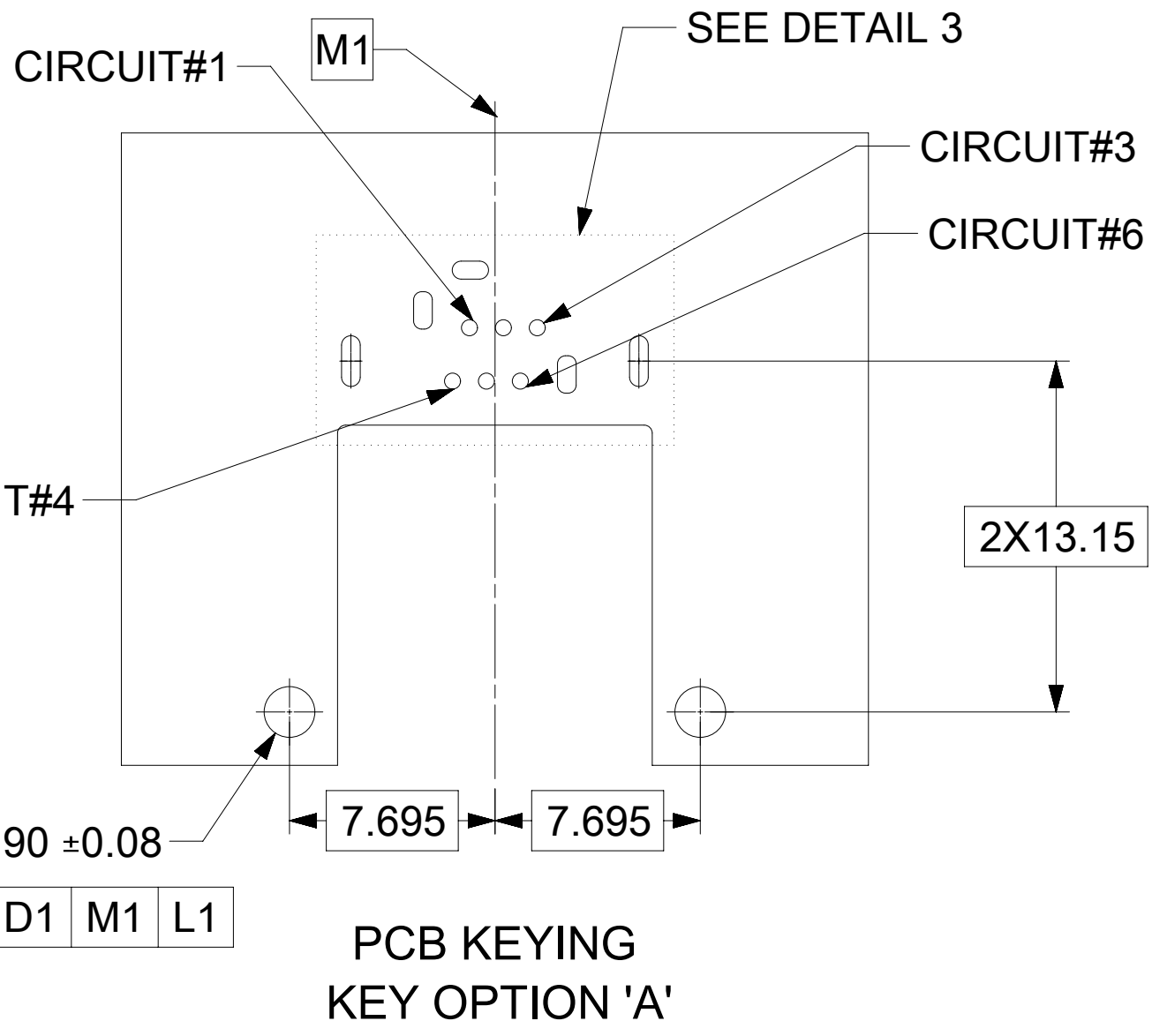
3X 1.40 ±0.08  
⊕ 0.13 D1 M1 L1

3X 0.70 ±0.08  
⊕ 0.13 D1 M1 L1

6X Ø0.7 ±0.08  
⊕ Ø0.13 D1 M1 L1



DETAIL 3  
SCALE 10:1



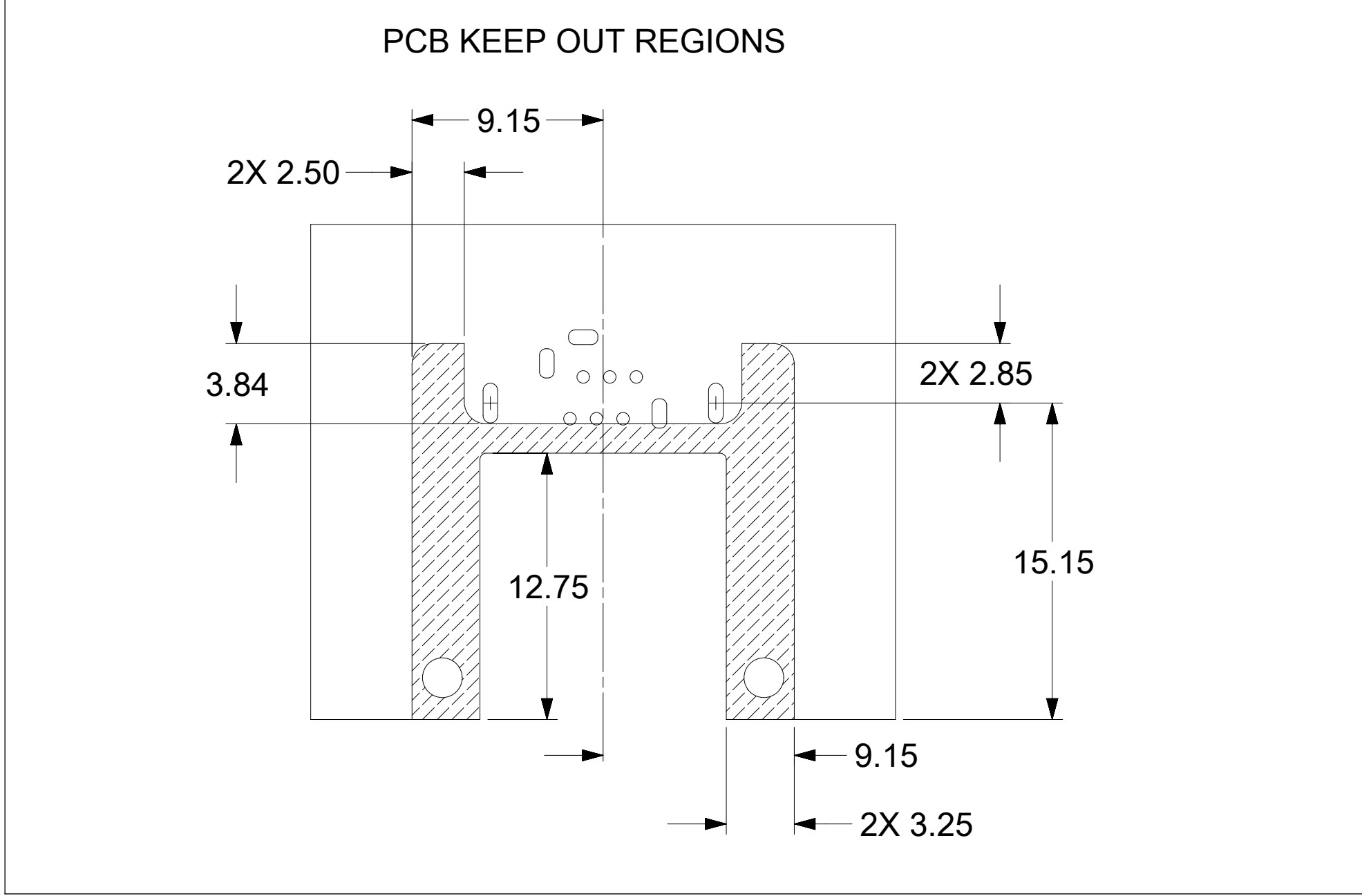
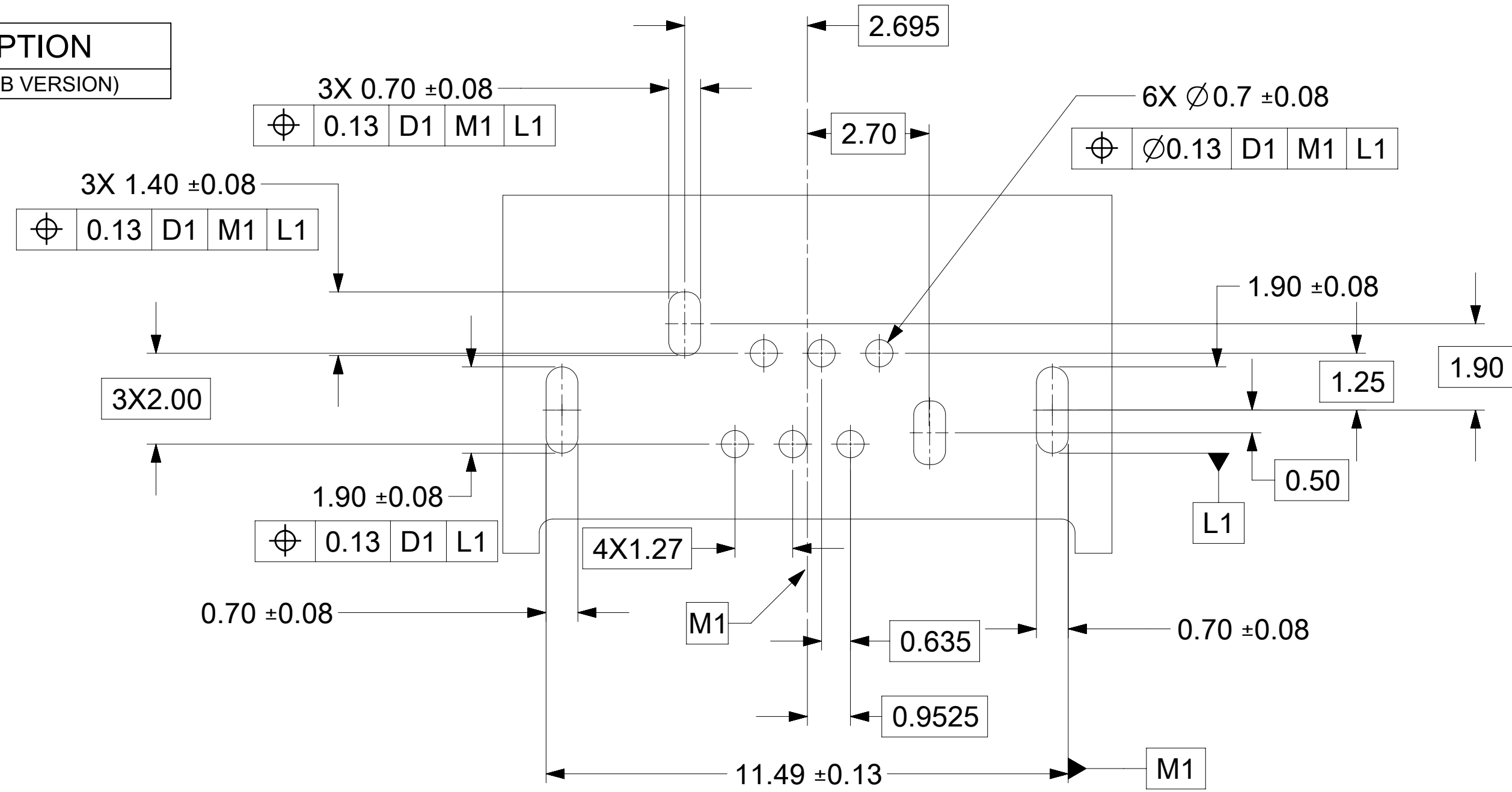
THIS DRAWING CONTAINS INFORMATION THAT IS PROPRIETARY TO MOLEX ELECTRONIC TECHNOLOGIES, LLC AND SHOULD NOT BE USED WITHOUT WRITTEN PERMISSION AS PER PCN 509458

DIMENSION UNITS	SCALE
mm	1:1
GENERAL TOLERANCES (UNLESS SPECIFIED)	
ANGULAR TOL	± 1.0°
4 PLACES	±
3 PLACES	±
2 PLACES	± 0.13
1 PLACE	± 0.25
0 PLACES	±
DRAFT WHERE APPLICABLE MUST REMAIN WITHIN DIMENSIONS	

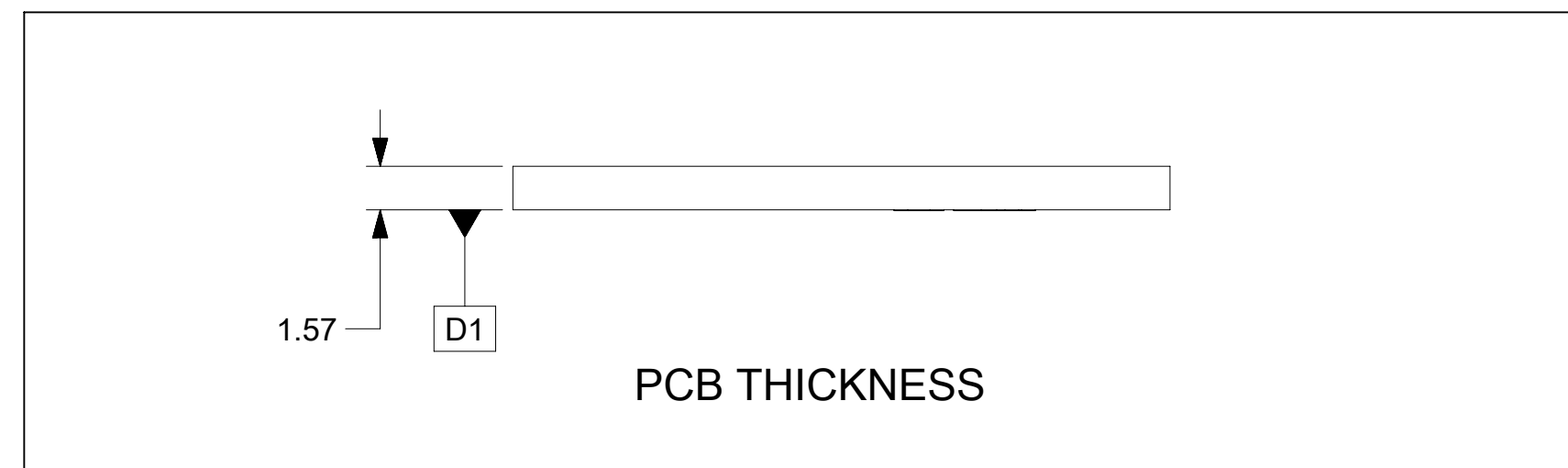
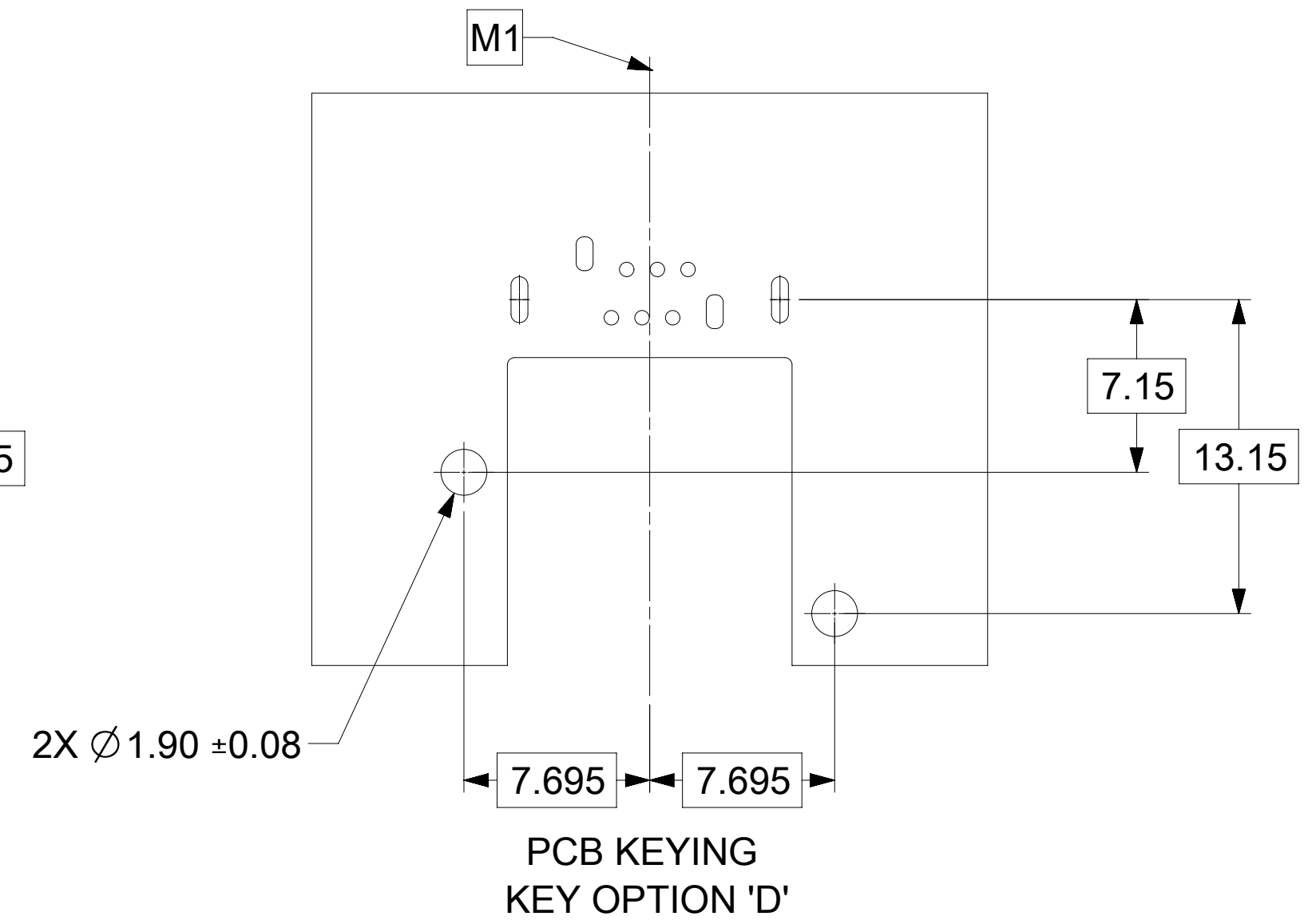
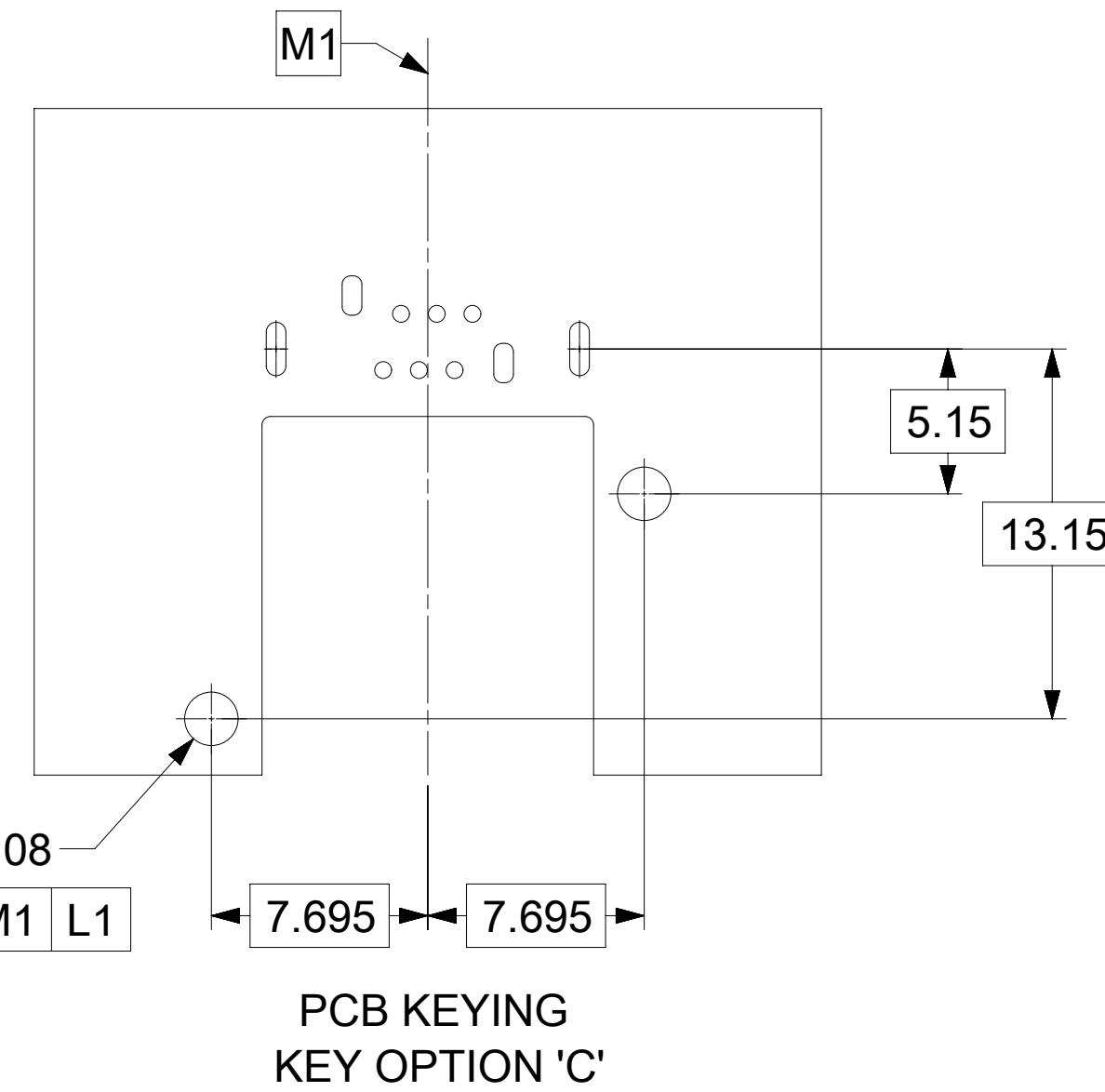
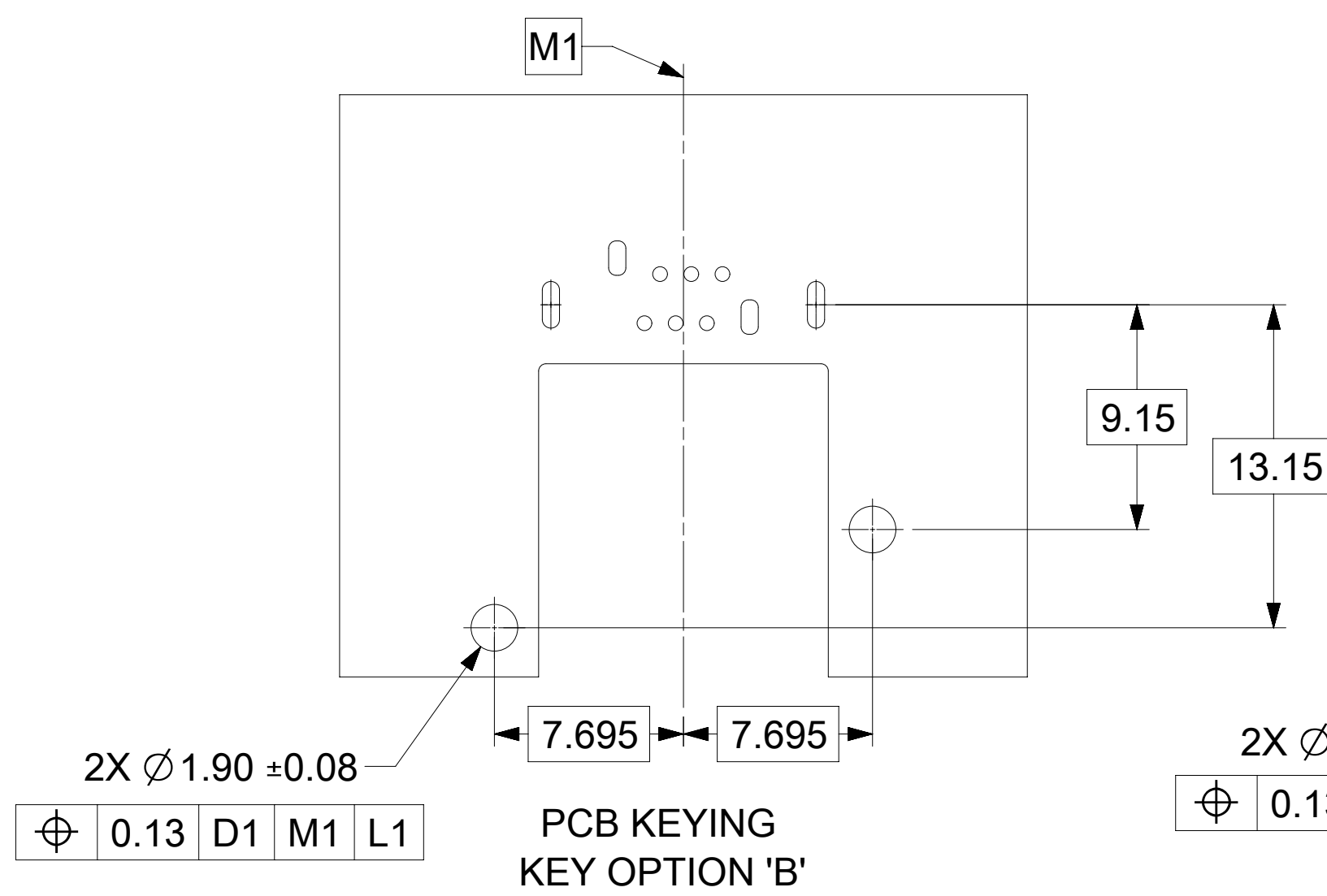
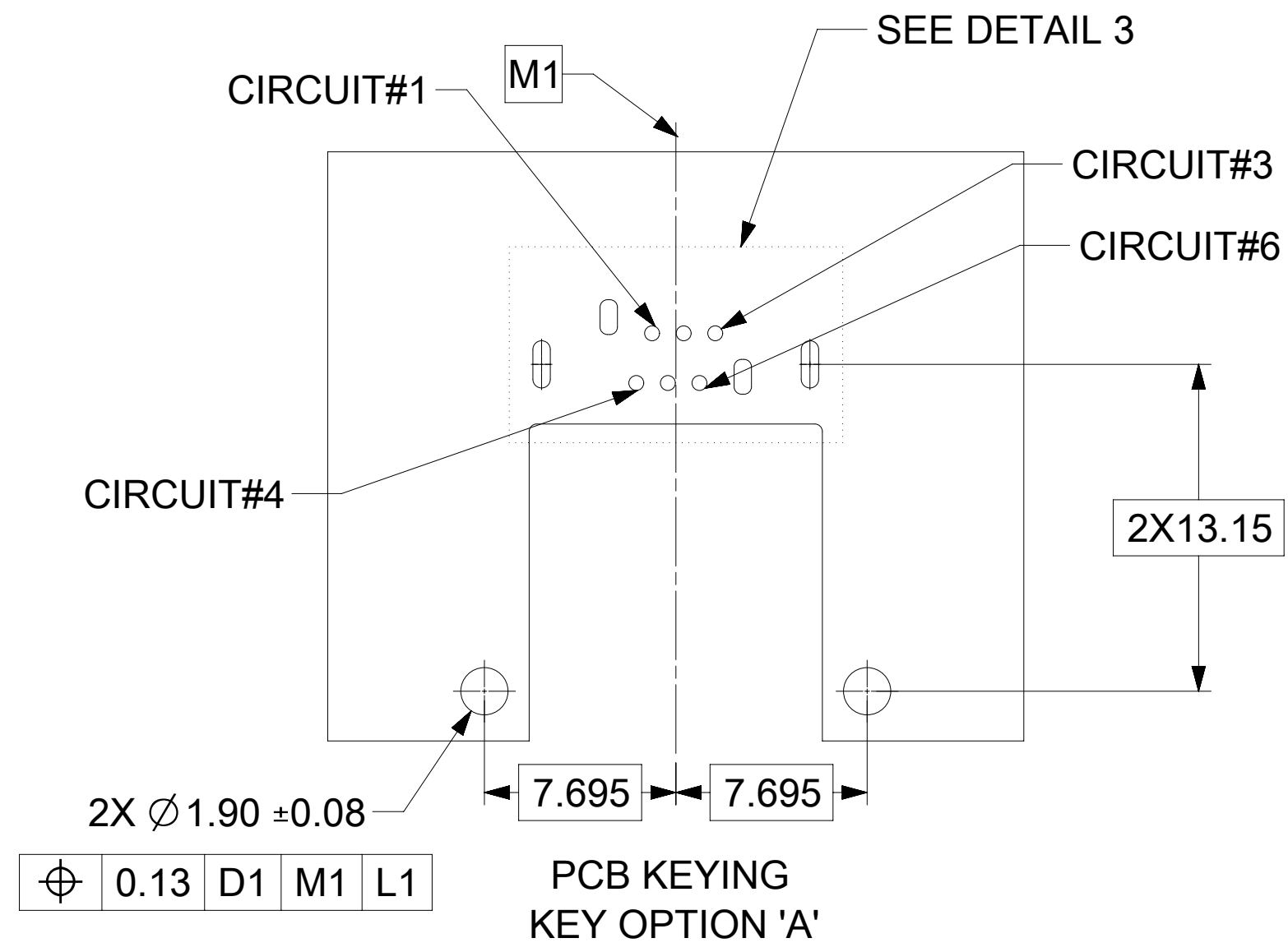
CURRENT REV DESC: OBSOLETE PART NUMBERS AS PER PCN 509458	
EC NO: 659363	2021/03/01
DRWN: RPRABHUM	2021/04/06
CHK'D: GGA	2021/04/06
APPR: GGA	
INITIAL REVISION:	
DRWN: DGILKEY	2016/09/06
APPR: CEHAYNES	2016/09/19
THIRD ANGLE PROJECTION	

<b>molex</b>			
6 CKT HSAUTOLINK II RIGHT ANGLE UNSEALED HEADER ASSEMBLY			
PRODUCT CUSTOMER DRAWING			
DOCUMENT NUMBER	DOC TYPE	DOC PART	REVISION
SD-160063-1103	PSD	000	A7
MATERIAL NUMBER	CUSTOMER	SHEET NUMBER	
SEE TABLE	GENERAL MARKET	4 OF 6	

**SHEET DESCRIPTION**  
PCB LAYOUT (2 SHIELD TAB VERSION)



**DETAIL 3**  
SCALE 10:1



THIS DRAWING CONTAINS INFORMATION THAT IS PROPRIETARY TO MOLEX ELECTRONIC TECHNOLOGIES, LLC AND SHOULD NOT BE USED WITHOUT WRITTEN PERMISSION											
DIMENSION UNITS		SCALE		CURRENT REV DESC: OBSOLETE PART NUMBERS AS PER PCN 509458							
mm		1:1									
GENERAL TOLERANCES (UNLESS SPECIFIED)											
ANGULAR TOL ± 1.0°											
4 PLACES ±				EC NO: 659363							
3 PLACES ±				DRWN: RPRABHUM 2021/03/01							
2 PLACES ± 0.13				CHK'D: GGA 2021/04/06							
1 PLACE ± 0.25				APPR: GGA 2021/04/06							
0 PLACES ±				INITIAL REVISION:							
				DRWN: DGILKEY 2016/09/06							
				APPR: CEHAYNES 2016/09/19							
DRAFT WHERE APPLICABLE MUST REMAIN WITHIN DIMENSIONS				THIRD ANGLE PROJECTION		DRAWING		SERIES		MATERIAL NUMBER	
				D-SIZE		160063		SEE TABLE		GENERAL MARKET	
				DOCUMENT NUMBER		DOC TYPE		DOC PART		REVISION	
				SD-160063-1103		PSD		000		A7	
DOCUMENT STATUS				P1		RELEASE DATE		2021/04/06		09:03:33	

**molex**

6 CKT HSAUTOLINK II  
RIGHT ANGLE UNSEALED HEADER ASSEMBLY

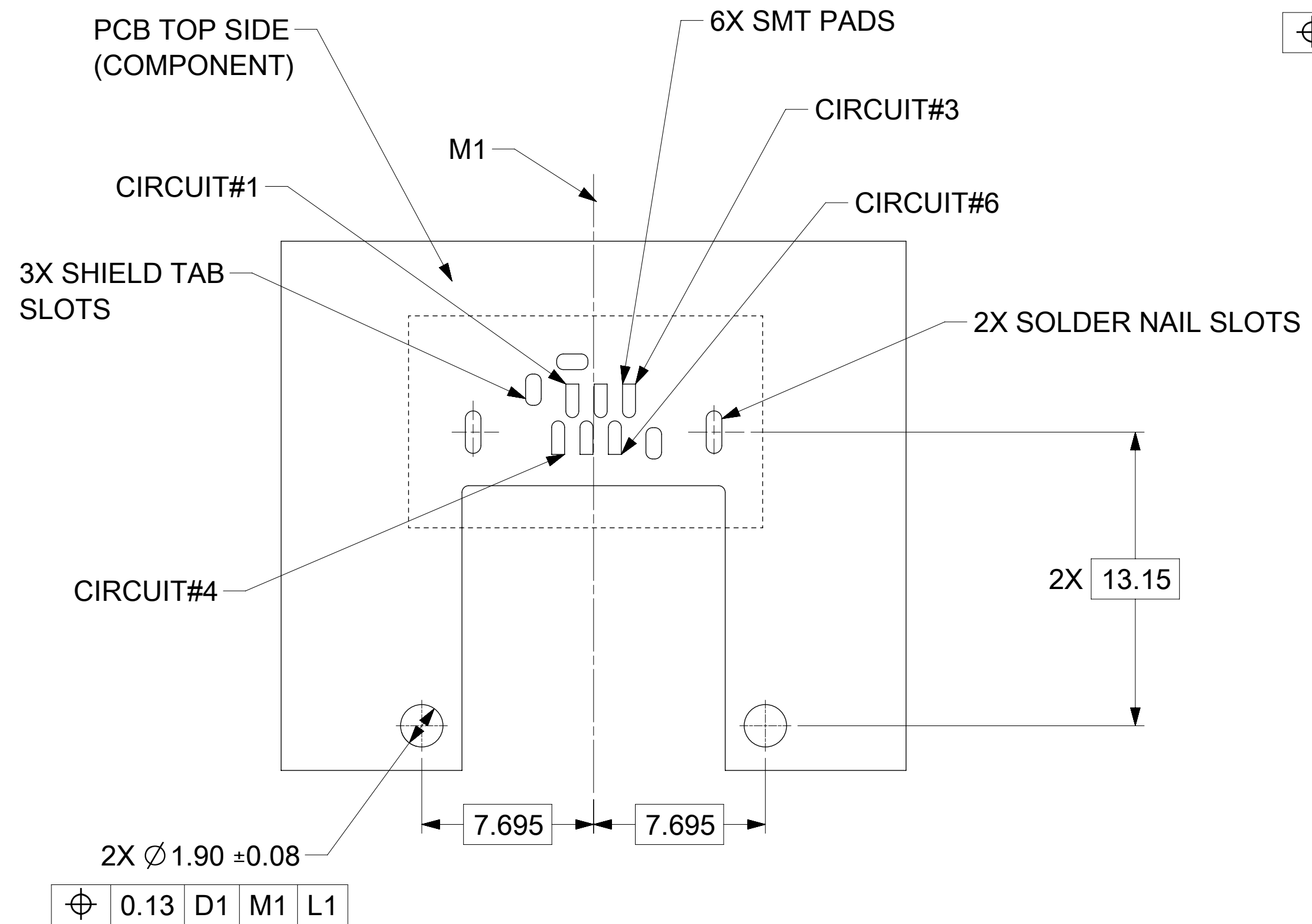
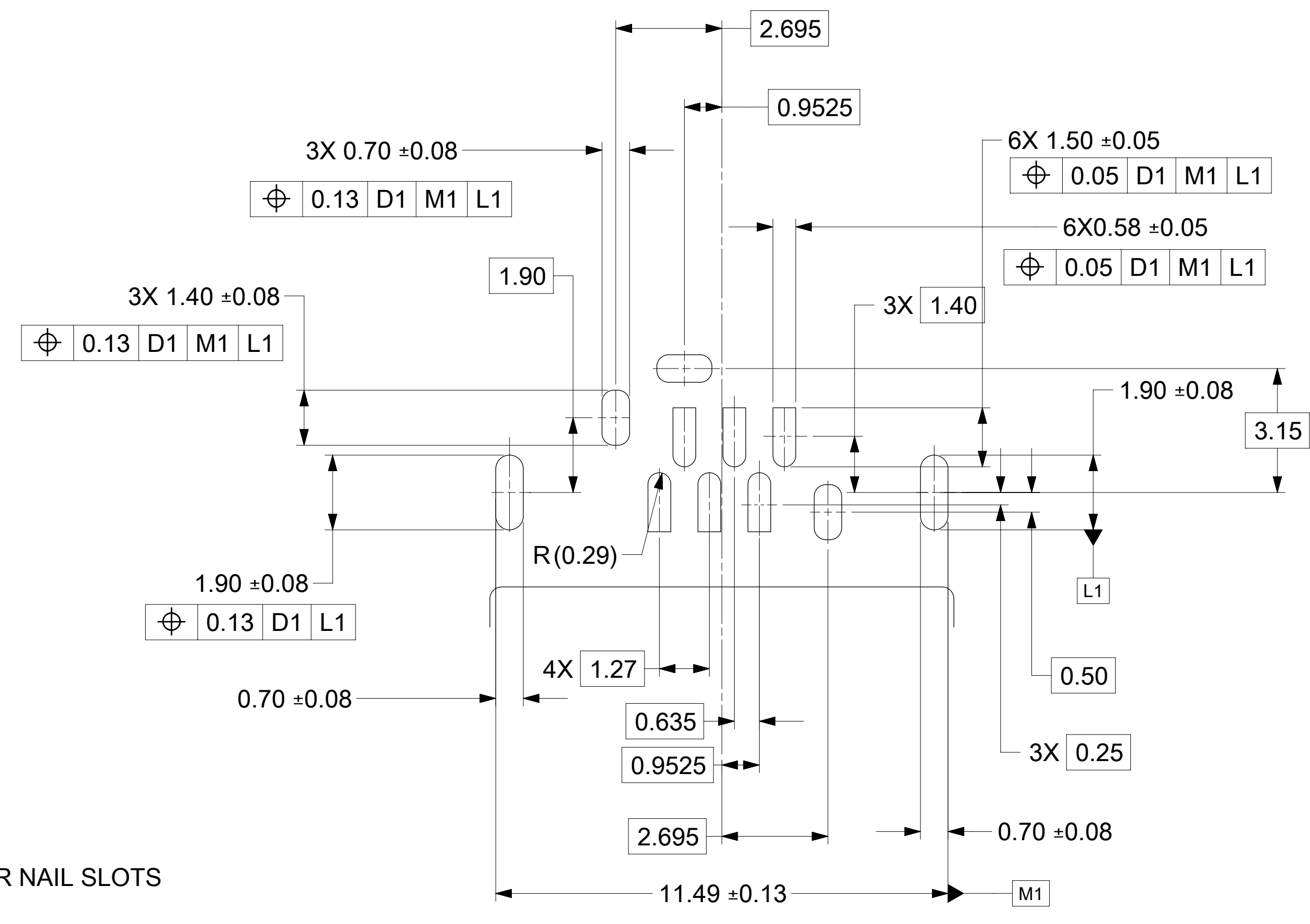
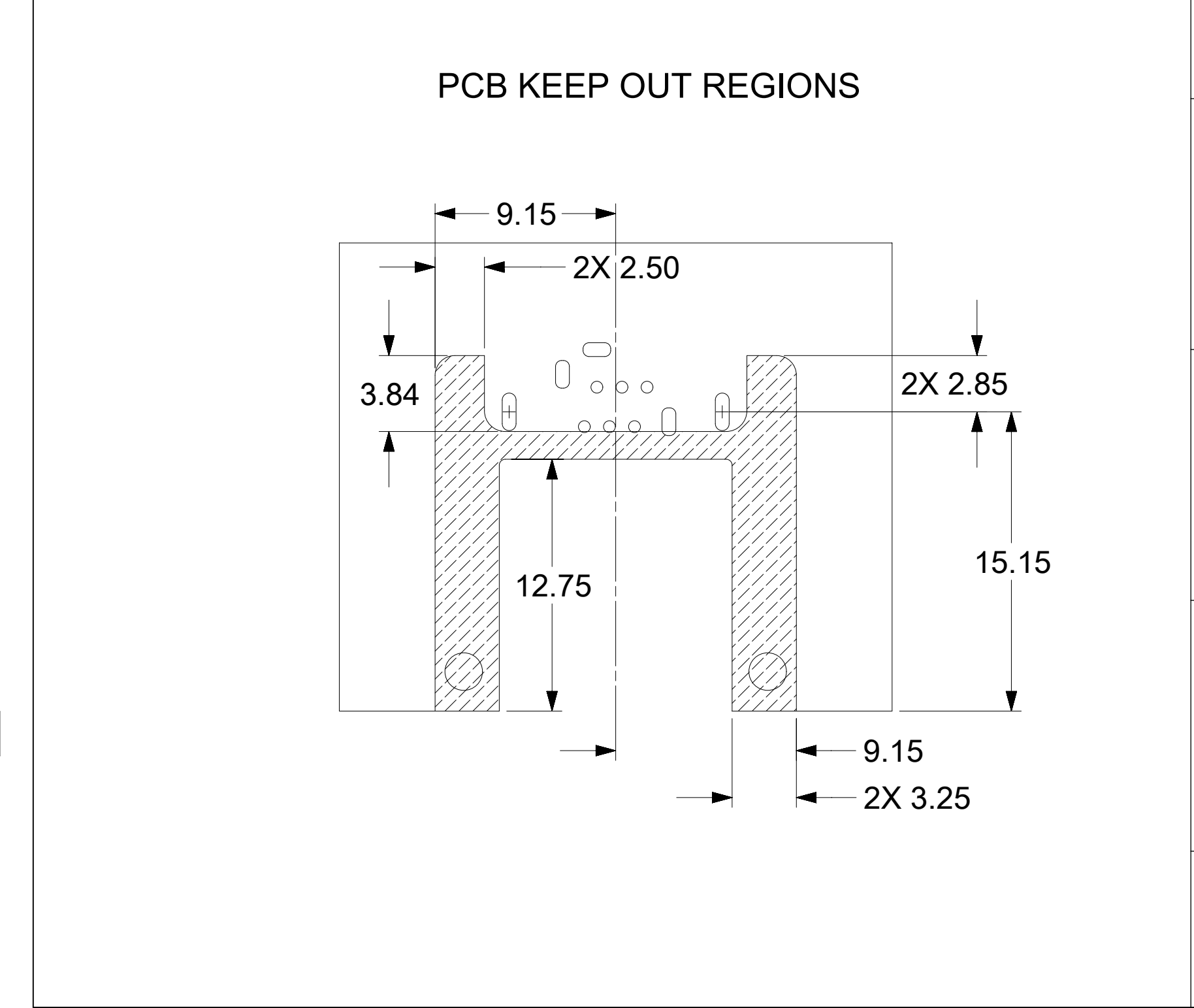
PRODUCT CUSTOMER DRAWING

SD-160063-1103 PSD 000 A7

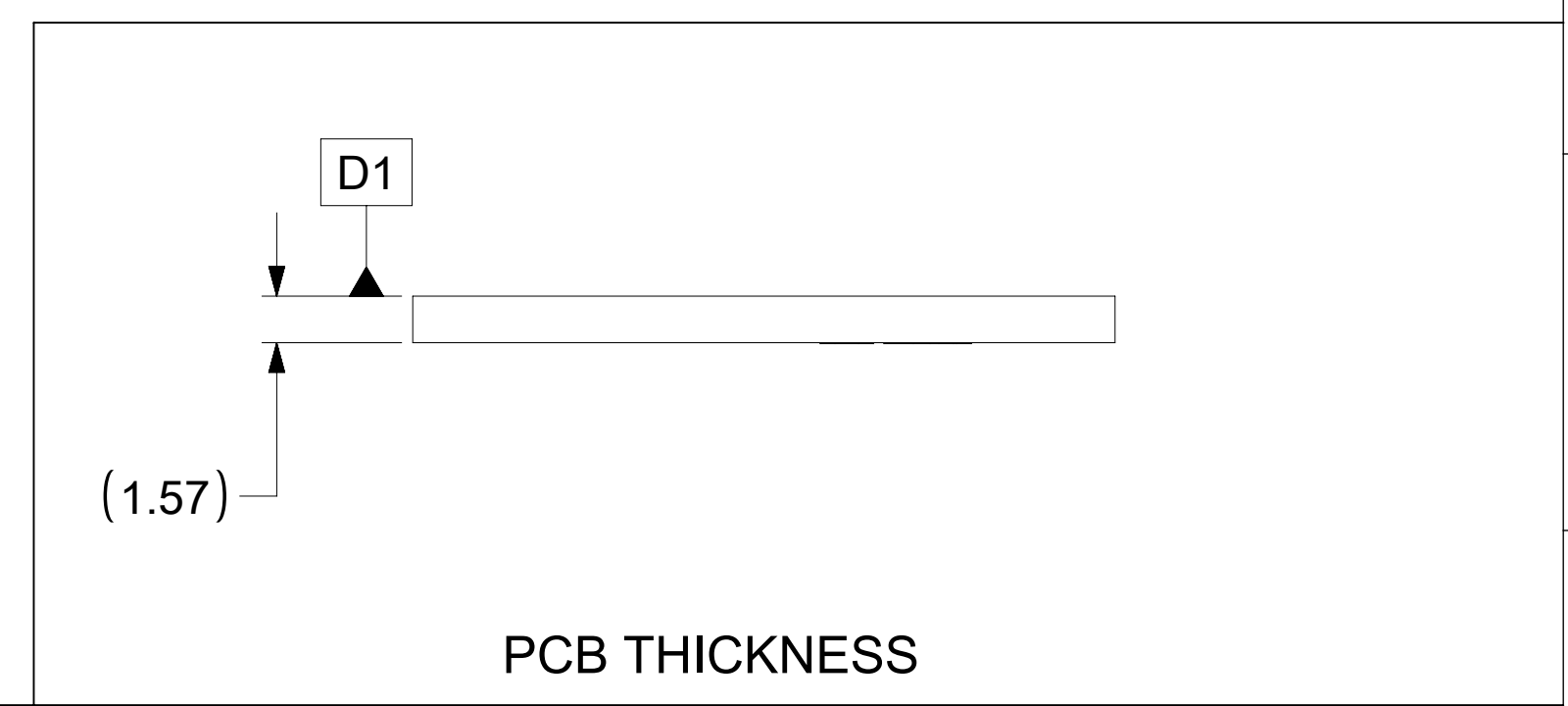
SEE TABLE GENERAL MARKET 5 OF 6

**SHEET DESCRIPTION**  
PCB LAYOUT (SMT VERSION)

\*NOT QUALIFIED\*



PCB KEYING  
KEY OPTION 'A'



THIS DRAWING CONTAINS INFORMATION THAT IS PROPRIETARY TO MOLEX ELECTRONIC TECHNOLOGIES, LLC AND SHOULD NOT BE USED WITHOUT WRITTEN PERMISSION										
DIMENSION UNITS		SCALE		CURRENT REV DESC: OBSOLETE PART NUMBERS AS PER PCN 509458						
mm		1:1								
GENERAL TOLERANCES (UNLESS SPECIFIED)										
ANGULAR TOL ± 1.0°										
4 PLACES		±		EC NO: 659363						
3 PLACES		±		DRWN: RPRABHUM 2021/03/01						
2 PLACES		± 0.13		CHK'D: GGA 2021/04/06						
1 PLACE		± 0.25		APPR: GGA 2021/04/06						
0 PLACES		±		INITIAL REVISION:						
				DRWN: DGILKEY 2016/09/06						
				APPR: CEHAYNES 2016/09/19						
DRAFT WHERE APPLICABLE MUST REMAIN WITHIN DIMENSIONS			THIRD ANGLE PROJECTION		DRAWING		SERIES		DOCUMENT NUMBER	
					D-SIZE		160063		SD-160063-1103	
					MATERIAL NUMBER		CUSTOMER		DOC TYPE DOC PART REVISION	
					SEE TABLE		GENERAL MARKET		PSD 000 A7	
									SHEET NUMBER	
									6 OF 6	