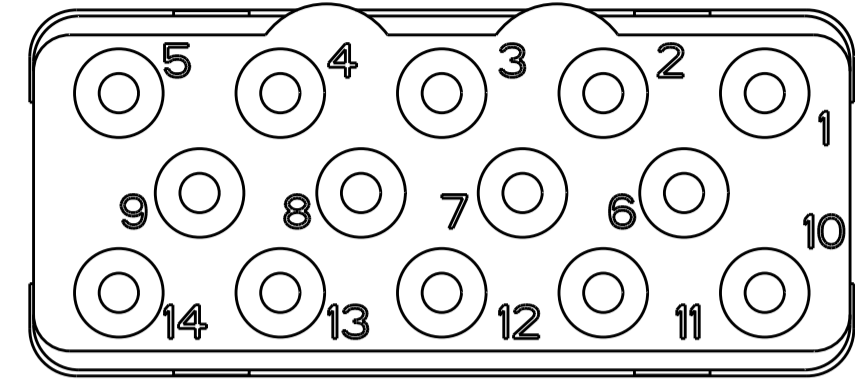
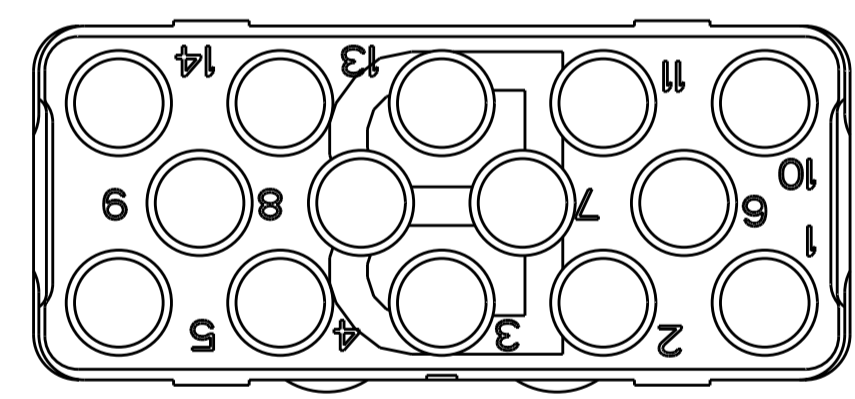
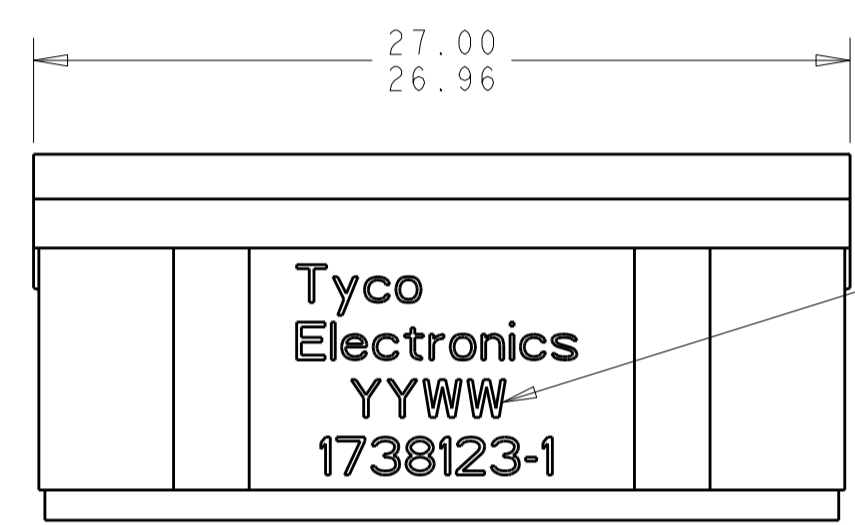
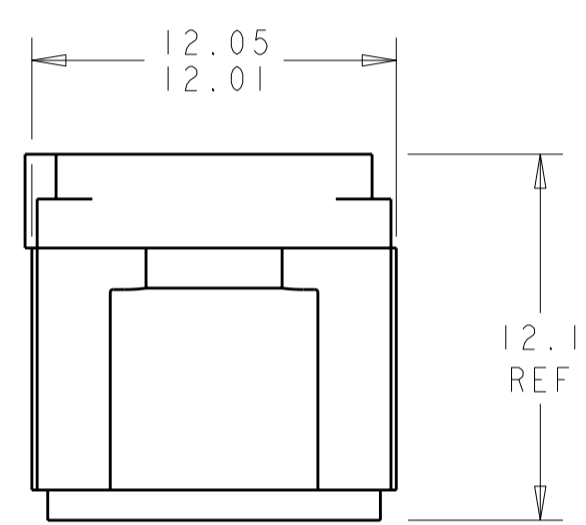


THIS DRAWING IS UNPUBLISHED. RELEASED FOR PUBLICATION 2009
 © COPYRIGHT 2009 BY TYCO ELECTRONICS CORPORATION. ALL INTERNATIONAL RIGHTS RESERVED.

LOC		DIST		REVISIONS			
P	LTR	DESCRIPTION	DATE	DWN	APVD		
		1	REDRAWN IN PRO/E	05MAY2010	RF	JM	



MATING FACE



1 FRONT & REAR INSULATOR: HIGH-TEMP THERMOPLASTIC OR THERMOSET EPOXY PER ASTM D5948.
 CONTACT RETENTION CLIPS: STAINLESS STEEL PER AISI 302 OR COPPER ALLOY PER ASTM B194

2 DATE CODE: YEAR & WEEK (YY WW)

3. DESCRIPTIVE PART NUMBER GPRBNI4PB
 THIS INSERT CONTAINS: 14 CAVITIES FOR SIZE 16 PIN CONTACTS

4. THIS PRODUCT IS SOLD BY TYCO ELECTRONICS UNDER A LICENSE FROM RADIALL SA.

THIS PRINT IS
PRELIMINARY
 UNQUALIFIED PRODUCT
 CONTACT PRODUCT ENGINEERING
 BEFORE USING THIS PRINT

1738123-1
 PART NUMBER

<small>THIS DRAWING IS A CONTROLLED DOCUMENT FOR TYCO ELECTRONICS CORPORATION IT IS SUBJECT TO CHANGE AND THE CONTROLLING ENGINEERING ORGANIZATION SHOULD BE CONTACTED FOR THE LATEST REVISION.</small>		DWN	BH	05MAY10	Tyco Electronics Harrisburg, PA 17105-3608
DIMENSIONS: mm		CHK	JPM	05MAY10	
		APVD	JPM	05MAY10	
TOLERANCES UNLESS OTHERWISE SPECIFIED: 0 PLC ±- 1 PLC ±0.1 2 PLC ±0.05 3 PLC ±- 4 PLC ±- ANGLES ±- FINISH		PRODUCT SPEC	NAME		
MATERIAL 		APPLICATION SPEC	INSERT ASSEMBLY, PIN, ARRANGEMENT 14, NON-ENVIRONMENTAL, KEY B, GPRB		
		WEIGHT	SIZE		
		CUSTOMER DRAWING	A200779		
		SCALE	DRAWING NO		
		6:1	C-1738123		
		SHEET	RESTRICTED TO		
		OF	-		
		REV	-		