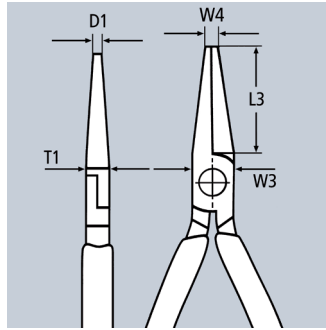
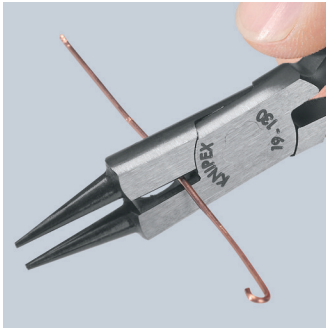


## Round pliers

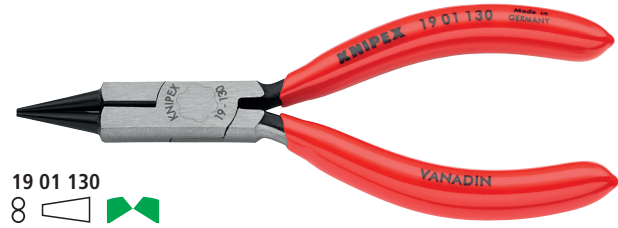
with cutting edge

Jewelers Pliers, DIN ISO 5743

19



- > for fine wire and working with jewelry
- > ideal for cutting and bending work, also in electronics
- > bending wire loops
- > precision ground round jaws with fine, pointed tips
- > cutting edges induction hardened (approx. 60 HRC)
- > vanadium steel; forged, multi stage oil-hardened



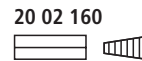
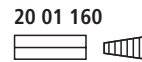
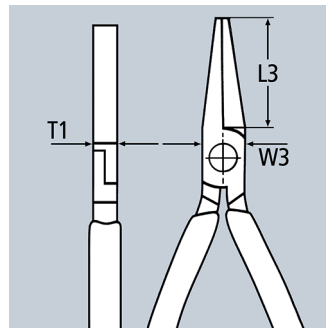
Product Number	Packaging	↔ Inch mm	Pliers	Head	Handles	Cutting capacities		Dimensions					⚖ lbs	
						Ø Inch Ø mm	Ø Inch Ø mm	D1 Inch mm	L3 Inch mm	T1 Inch mm	W3 Inch mm	W4 Inch mm		
19 01 130		5 1/4 130	8	black atramentized	polished	non-slip plastic coated	3/32 2.2	1/16 1.6	3/64 1.0	1 1/4 32.0	5/16 8.0	17/32 13.5	5/64 2.0	0.16

## Flat Nose Pliers

DIN ISO 5745

20

- > flat, short, wide jaws
- > knurled gripping surfaces
- > special tool steel; forged, oil-hardened



Product Number	Packaging	↔ Inch mm	Pliers	Head	Handles	Dimensions			⚖ lbs	
						L3 Inch mm	W3 Inch mm	T1 Inch mm		
20 01 125		5 125				1 1/16 27.0	37/64 14.5	5/16 8.0	0.18	
20 01 140		5 1/2 140		black atramentized	polished	non-slip plastic coated	1 7/64 28.0	39/64 15.5	3/8 9.5	0.24
20 01 160		6 1/4 160		black atramentized	polished	non-slip plastic coated	1 3/16 30.0	43/64 17.0	3/8 9.5	0.32
20 01 180		7 1/4 180					1 3/8 35.0	3/4 19.0	25/64 10.0	0.41
20 02 140		6 1/4 140		black atramentized	polished	multi-component grips	1 3/32 28.0	39/64 15.5	3/8 9.5	0.30
20 02 160		6 1/4 160		black atramentized	polished	multi-component grips	1 3/16 30.0	43/64 17.0	3/8 9.5	0.38
20 06 160		6 1/2 165		chrome plated	polished	insulated, multi-component grips, VDE-tested	1 3/16 30.0	43/64 17.0	3/8 9.5	0.41