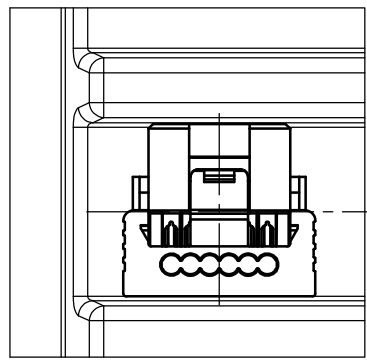
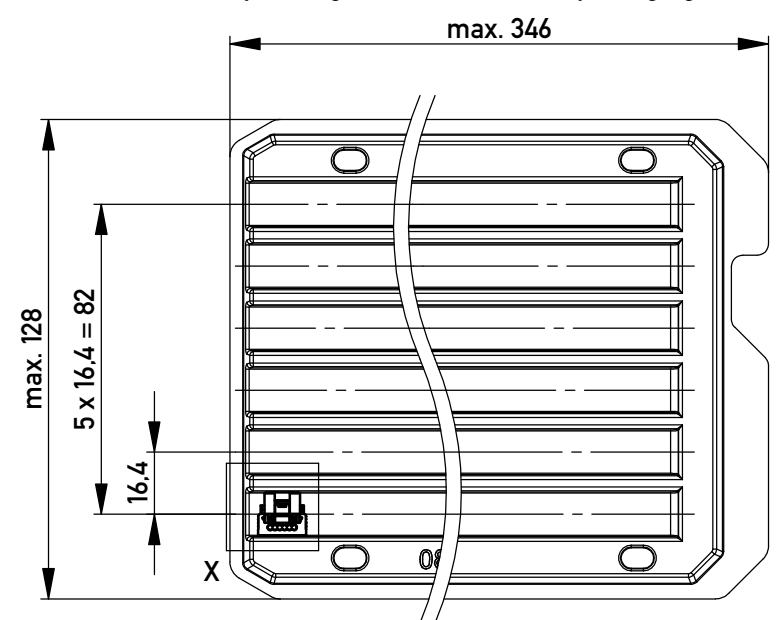


Kabelführung: schwarz  
cable guide: black

Einzelheit X - detail X  
M 2:1



Verpackt in Tray - tray packaging  
Verpackungseinheit 144 Stück - packaging unit 144 pcs



\* Federkontakt AWG 22 - Female Contact AWG 22  
Kabelführung  $\varnothing 1.27$  - cable guide  $\varnothing 1.27$

Information:		Tolerances	für Einzeladern AWG 22, ohne Hilfsmittel lösbar for single conductors AWG 22, without tool unlockable	
All rights reserved. Only for Information. To ensure that this is the latest version of this drawing, please contact one of the ERNI companies before using.		 All Dimensions in mm	Scale	5:1
			Designation <b>1,27 SRC P SKV, 6-polig</b> <b>1,27 SRC P IDC, 6-pin</b>	
Subject to modification without prior notice. Drawing will not be updated.		www.ERNI.com	<b>394911</b> I <b>A3</b>	
Index	Date		Class SRCP	

Copyright by ERNI GmbH  
Proprietary notice pursuant to ISO 16016 to be observed.