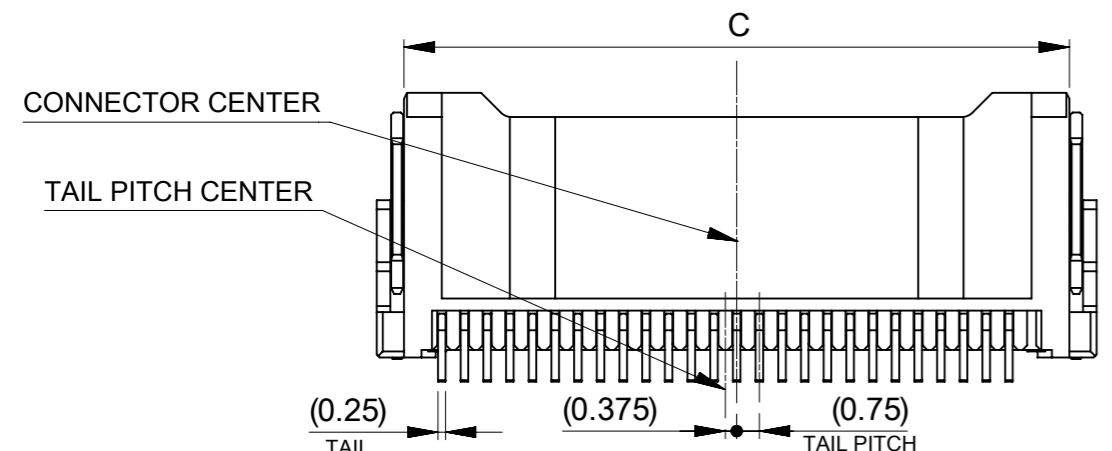
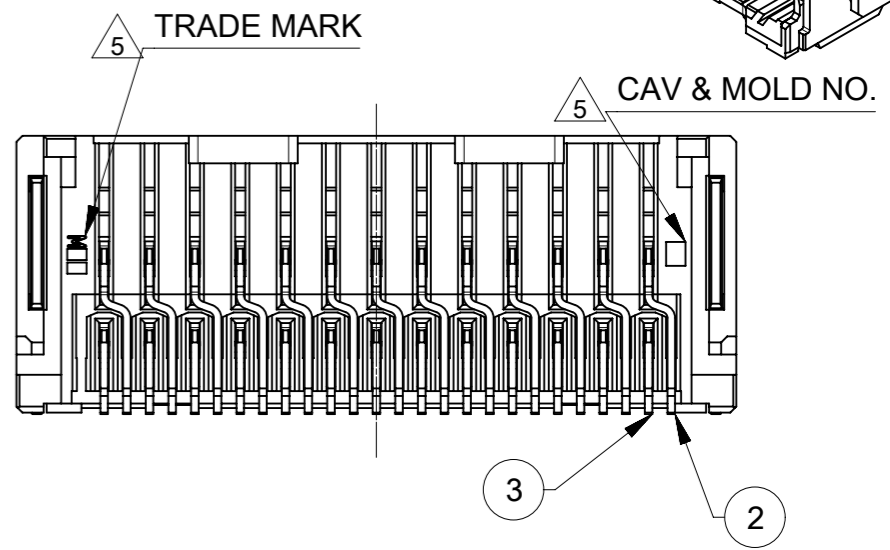
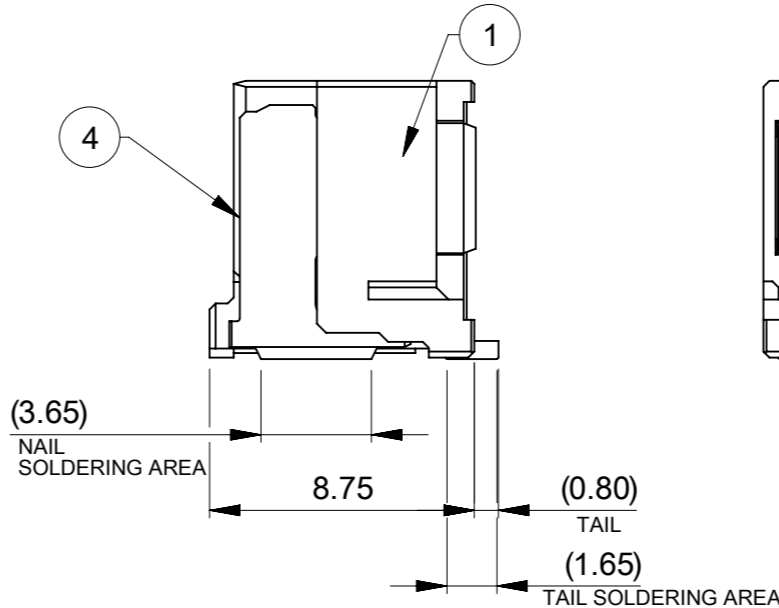
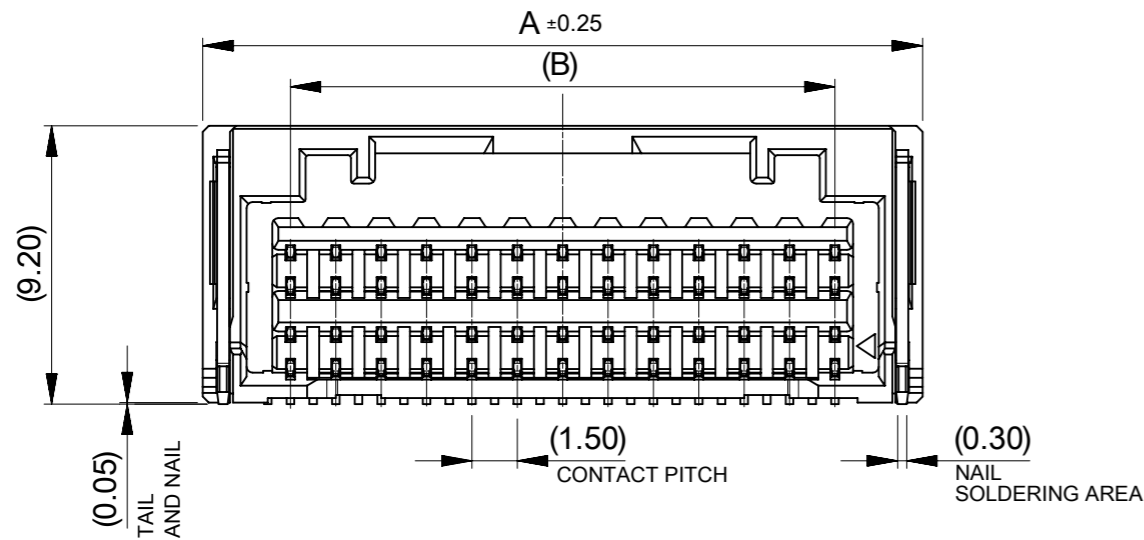
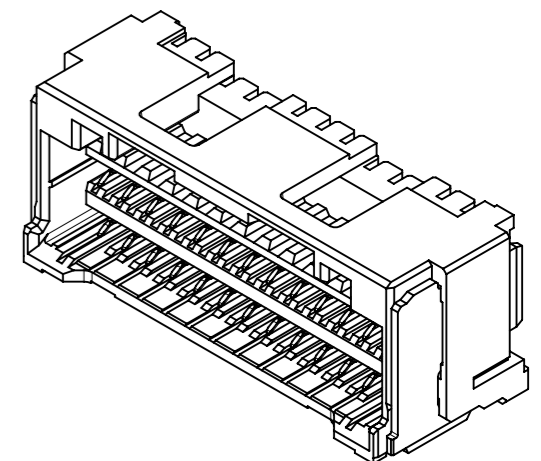


NOTE

- 1. 端子テール部およびネイルの平坦度: 0.1mm MAX.
TAIL AND NAIL COPLANARITY TO BE 0.1mm MAX.
- 2. (極数/2) = 偶数 に適用
APPLY FOR (CIRCUIT SIZE/2) = EVEN.
- 3. 適用製品及び各種仕様書はSHEET 4を参照のこと
REFER TO SHEET 4 ABOUT APPLICABLE PRODUCTS AND VARIOUS SPECIFICATIONS.



4. オーダー番号(製品番号): SHEET 6の製品一覧を参照のこと
ORDER No (PRODUCT No) : REFER TO SHEET 6 FOR PRODUCT LIST.

503148 * * 9 *

シリーズ番号 極数 色
SERIES NO CIRCUIT SIZE COLOR

| CIRCUIT | NO | COLOR |
|---------|----|---------------------------------|
| 08~26 | 0 | ナチュラル (ページユ) NATURAL (BEIGE) |
| | 1 | 黒 BLACK |
| | 2 | 赤 RED |
| | 4 | 青 BLUE |
| | 6 | 緑 GREEN |

| | | | | |
|------|-------|--------|------|------------------|
| 22.0 | ±0.25 | 18.0 | 23.8 | 26 |
| 20.5 | | 16.5 | 22.3 | 24 |
| 19.0 | | 15.0 | 20.8 | 22 |
| 17.5 | | 13.5 | 19.3 | 20 |
| 16.0 | | 12.0 | 17.8 | 18 |
| 14.5 | | 10.5 | 16.3 | 16 |
| 13.0 | | 9.0 | 14.8 | 14 |
| 11.5 | | 7.5 | 13.3 | 12 |
| 10.0 | | 6.0 | 11.8 | 10 |
| 8.5 | | (±0.2) | 4.5 | 10.3 |
| C | | B | A | 極数 CIRCUIT NO |

| 番号 NO. | 部品 PART | 材質 MATERIAL |
|-----------|-----------------------------|---|
| ① | ハウジング HOUSING | ポリアミド(PA) UL94V-0 色 : SEE CHART POLYAMIDE(PA) UL94V-0 COLOR : SEE CHART |
| ②、③ | ターミナル A, B TERMINAL A, B | 銅合金 COPPER ALLOY |
| | | 錫めっき : 1.0 micro-meter MIN MATTE TIN PLATING(TAIL AREA) ニッケルめっき(下地) : 1.0 micro-meter MIN NICKEL (UNDER PLATING) |
| ④ | ネイル NAIL | 黄銅 BRASS 錫めっき : 1.0 micro-meter MIN MATTE TIN PLATING ニッケルめっき(下地) : 1.0 micro-meter MIN NICKEL (UNDER PLATING) |

5. トレードマーク : Mプラス 2文字の製造工場を示す
アルファベットにて表示。
但し、"J"はJAPANを、"L"はMALAYSIAを示す。
(例 : MXJ, MXL)
金型番号 : アルファベット2文字にて表示。
(例 : 1A, 12A, 1B, 12B)

THIS DRAWING CONTAINS INFORMATION THAT IS PROPRIETARY TO MOLEX ELECTRONIC TECHNOLOGIES, LLC AND SHOULD NOT BE USED WITHOUT WRITTEN PERMISSION

mm NTS

GENERAL TOLERANCES (UNLESS SPECIFIED)

ANGULAR TOL ± 3.0 °

4 PLACES ± 0.2

3 PLACES ± 0.2

2 PLACES ± 0.2

1 PLACE ± 0.25

0 PLACES ± 0.3

DRAFT WHERE APPLICABLE MUST REMAIN WITHIN DIMENSIONS

THIRD ANGLE PROJECTION

DRAWING SERIES MATERIAL NUMBER CUSTOMER SHEET NUMBER

A3-SIZE 503148 GENERAL 1 OF 6

CURRENT REV DESC: REVISED

EC NO: 680153

DRWN: MIKEDA01 2021/10/05

CHK'D: SAKIYAMA 2021/10/05

APPR: KOMURAKAMI 2021/10/05

INITIAL REVISION:

DRWN: MIKEDA01 2019/05/07

APPR: KOMURAKAMI 2020/03/03

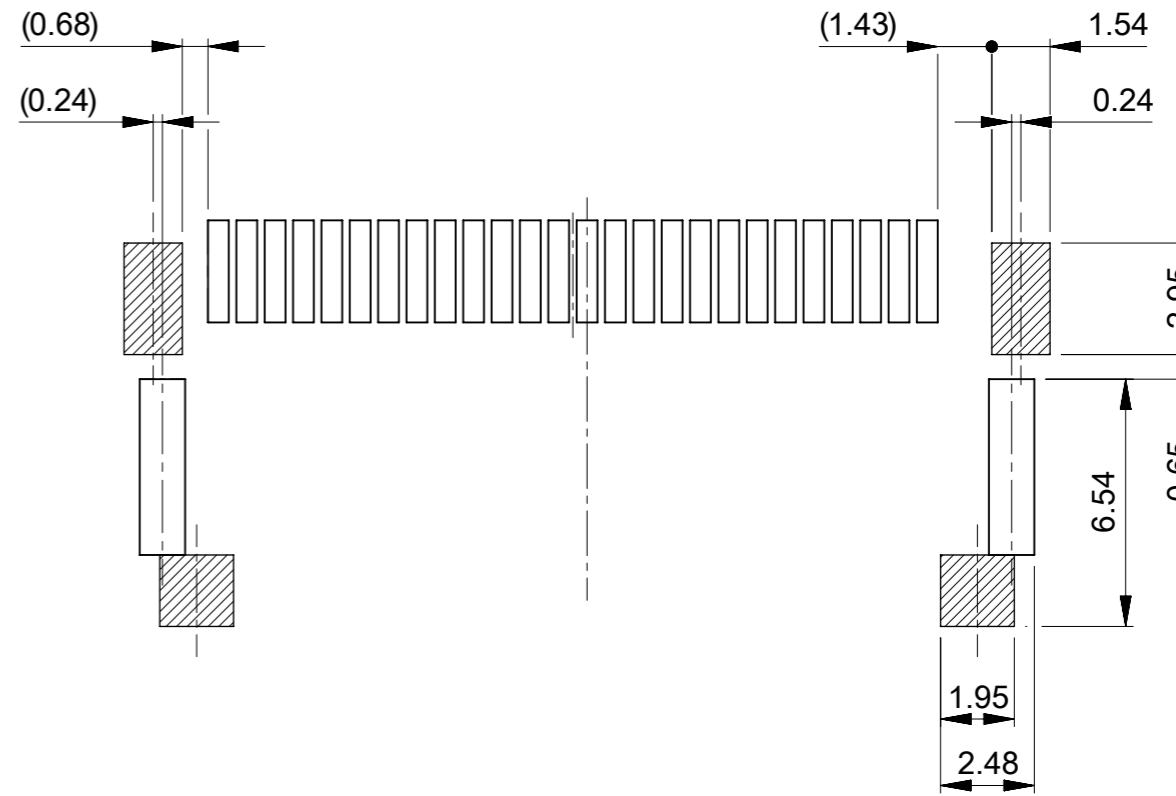
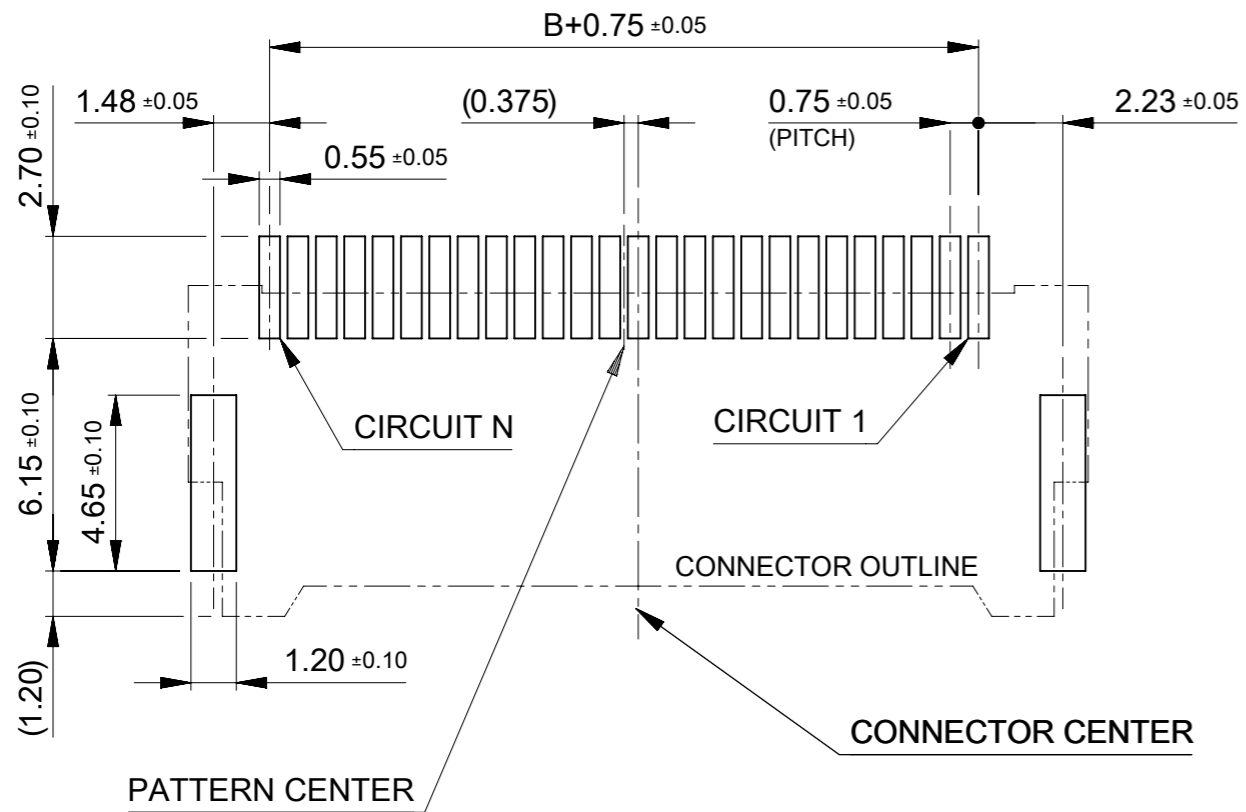
DOCUMENT NUMBER DOC TYPE DOC PART REVISION

5031480000-SD PSD 000 E

molex

CLIK-MATE 1.5
DUAL ROW SMT R/A TYPE REC ASSY TIN PLATING

PRODUCT CUSTOMER DRAWING



基板パターンレイアウト(参考)
RECCOMENDED PCB PATTERN LAYOUT (REF.)

(参考 : メタルマスク厚さ 0.10mm, マスク開口率100%)
(REFERENCE: METAL STENCIL THICKNESS 0.10MM, APERTURE RATIO 100%)

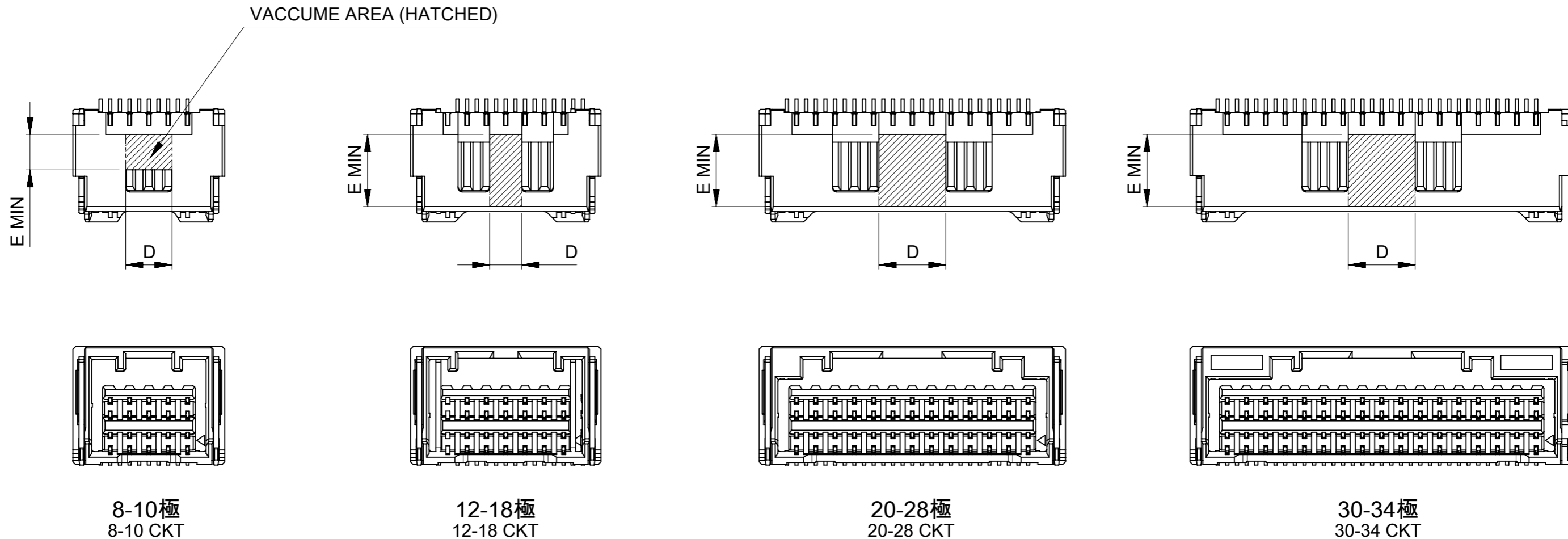
NOTE

- △ コネクタ下にパターン及びスルーホールを設置する場合、基板面からパターン盛り上がりは0.1mm MAX.とすること
ただし、図示したパターン禁止エリアを除く
THE CONVEX ON THE PCB TO BE 0.1mm MAX. WHEN SET SOME PATTERNS OR THROUGH HOLES UNDER THE CONNECTOR.
EXCEPT INDICATED AREA.

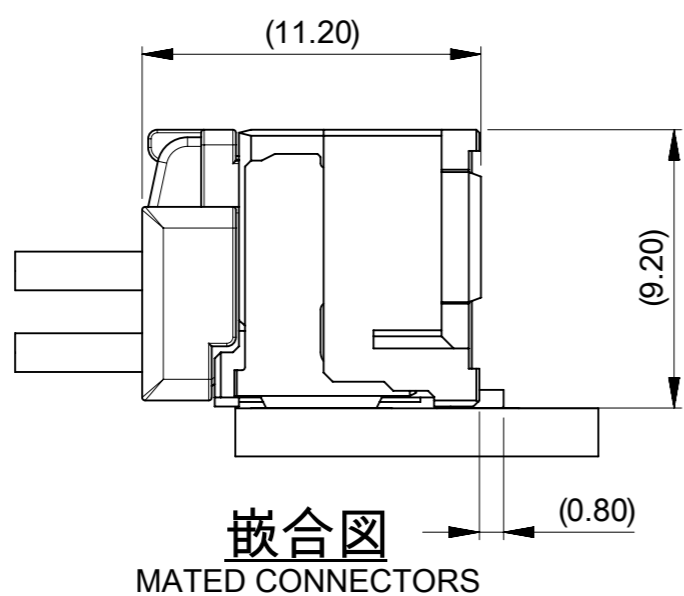
△ パターン非推奨エリア

パターンを引き回す際は、製品機能に影響がないことをご確認ください。
PATTERN IS NOT RECCOMENDED ON THE HATCHED AREA.
PLEASE CHECK NOT TO HAVE PROBLEM FOR PRODUCT FUNCTION
WHEN SETTING PATTERN ON THE HATCHED AREA.

| | | | | | | | | | | |
|---|--|------------------------|--|---------------------------|--|------------|--|-----------------|--|---|
| THIS DRAWING CONTAINS INFORMATION THAT IS PROPRIETARY TO MOLEX ELECTRONIC TECHNOLOGIES, LLC AND SHOULD NOT BE USED WITHOUT WRITTEN PERMISSION | | | | | | | | | | |
| DIMENSION UNITS | | SCALE | | CURRENT REV DESC: REVISED | | | | molex | | CLIK-MATE 1.5 DUAL ROW SMT R/A TYPE REC ASSY TIN PLATING |
| mm | | NTS | | | | | | | | |
| GENERAL TOLERANCES (UNLESS SPECIFIED) | | | | | | | | | | |
| ANGULAR TOL ± 3.0 ° | | | | | | | | | | |
| 4 PLACES | | ± 0.2 | | EC NO: 680153 | | 2021/10/05 | | | | |
| 3 PLACES | | ± 0.2 | | DRWN: MIKEDA01 | | 2021/10/05 | | | | |
| 2 PLACES | | ± 0.2 | | CHK'D: SAKIYAMA | | 2021/10/05 | | | | |
| 1 PLACE | | ± 0.25 | | APPR: KOMURAKAMI | | 2021/10/05 | | | | |
| 0 PLACES | | ± 0.3 | | INITIAL REVISION: | | | | | | |
| | | | | DRWN: MIKEDA01 | | 2019/05/07 | | DOCUMENT NUMBER | | |
| | | | | APPR: KOMURAKAMI | | 2020/03/03 | | 5031480000-SD | | |
| DRAFT WHERE APPLICABLE MUST REMAIN WITHIN DIMENSIONS | | THIRD ANGLE PROJECTION | | DRAWING | | SERIES | | MATERIAL NUMBER | | |
| | | | | A3-SIZE | | 503148 | | CUSTOMER | | |
| | | | | | | | | GENERAL | | |
| | | | | | | | | SHEET NUMBER | | |
| | | | | | | | | 2 OF 6 | | |



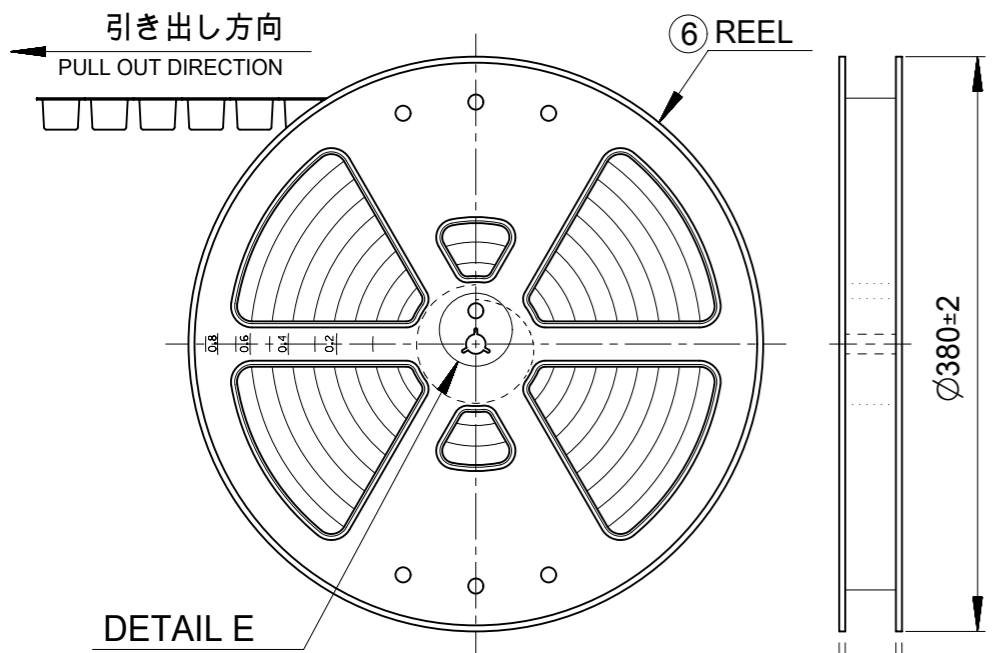
極数別ハウジング形状および吸着エリア
HOUSING SHAPE AND VACCUME AREA AT EACH CKTS



| | | |
|------|-----|------------------|
| 5.6 | 5.2 | 26 |
| | | 24 |
| | 4.2 | 22 |
| | 3.2 | 20 |
| | | 18 |
| 2.75 | 2.5 | 16 |
| | | 14 |
| | 2.3 | 12 |
| E | D | 10 |
| | | 8 |
| | | 極数 CIRCUIT NO |

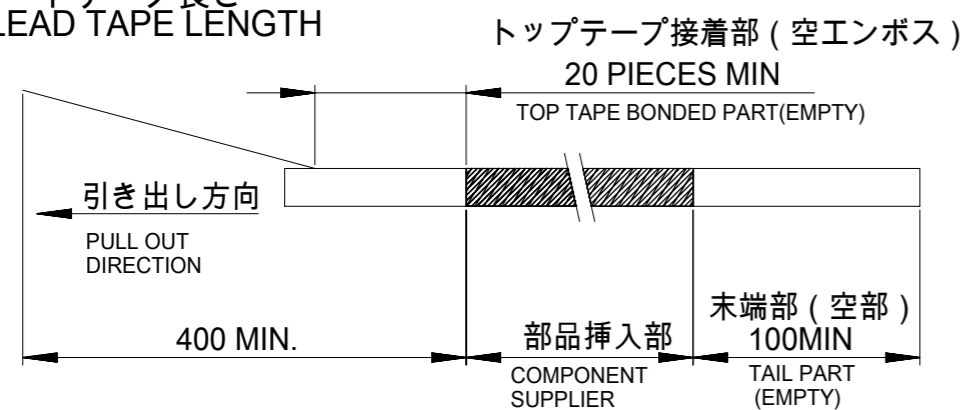
THIS DRAWING CONTAINS INFORMATION THAT IS PROPRIETARY TO MOLEX ELECTRONIC TECHNOLOGIES, LLC AND SHOULD NOT BE USED WITHOUT WRITTEN PERMISSION

| | | | | |
|--|---------|---|------------|-----------------|
| DIMENSION UNITS | SCALE | CURRENT REV DESC: REVISED | | |
| mm | NTS | molex | | |
| GENERAL TOLERANCES (UNLESS SPECIFIED) | | | | |
| ANGULAR TOL | ± 3.0 ° | CLIK-MATE 1.5 DUAL ROW SMT R/A TYPE REC ASSY TIN PLATING | | |
| 4 PLACES | ± 0.2 | PRODUCT CUSTOMER DRAWING | | |
| 3 PLACES | ± 0.2 | EC NO: 680153 | 2021/10/05 | DOCUMENT NUMBER |
| 2 PLACES | ± 0.2 | DRWN: MIKEDA01 | 2021/10/05 | 5031480000-SD |
| 1 PLACE | ± 0.25 | CHK'D: SAKIYAMA | 2021/10/05 | DOC TYPE |
| 0 PLACES | ± 0.3 | APPR: KOMURAKAMI | 2021/10/05 | PSD |
| DRAFT WHERE APPLICABLE MUST REMAIN WITHIN DIMENSIONS | | INITIAL REVISION: | 2019/05/07 | DOC PART |
| THIRD ANGLE PROJECTION | | DRWN: MIKEDA01 | 2020/03/03 | 000 |
| DRAWING | | APPR: KOMURAKAMI | 2020/03/03 | REVISION |
| A3-SIZE | | SERIES | 503148 | E |
| MATERIAL NUMBER | | CUSTOMER | GENERAL | SHEET NUMBER |
| | | | | 3 OF 6 |

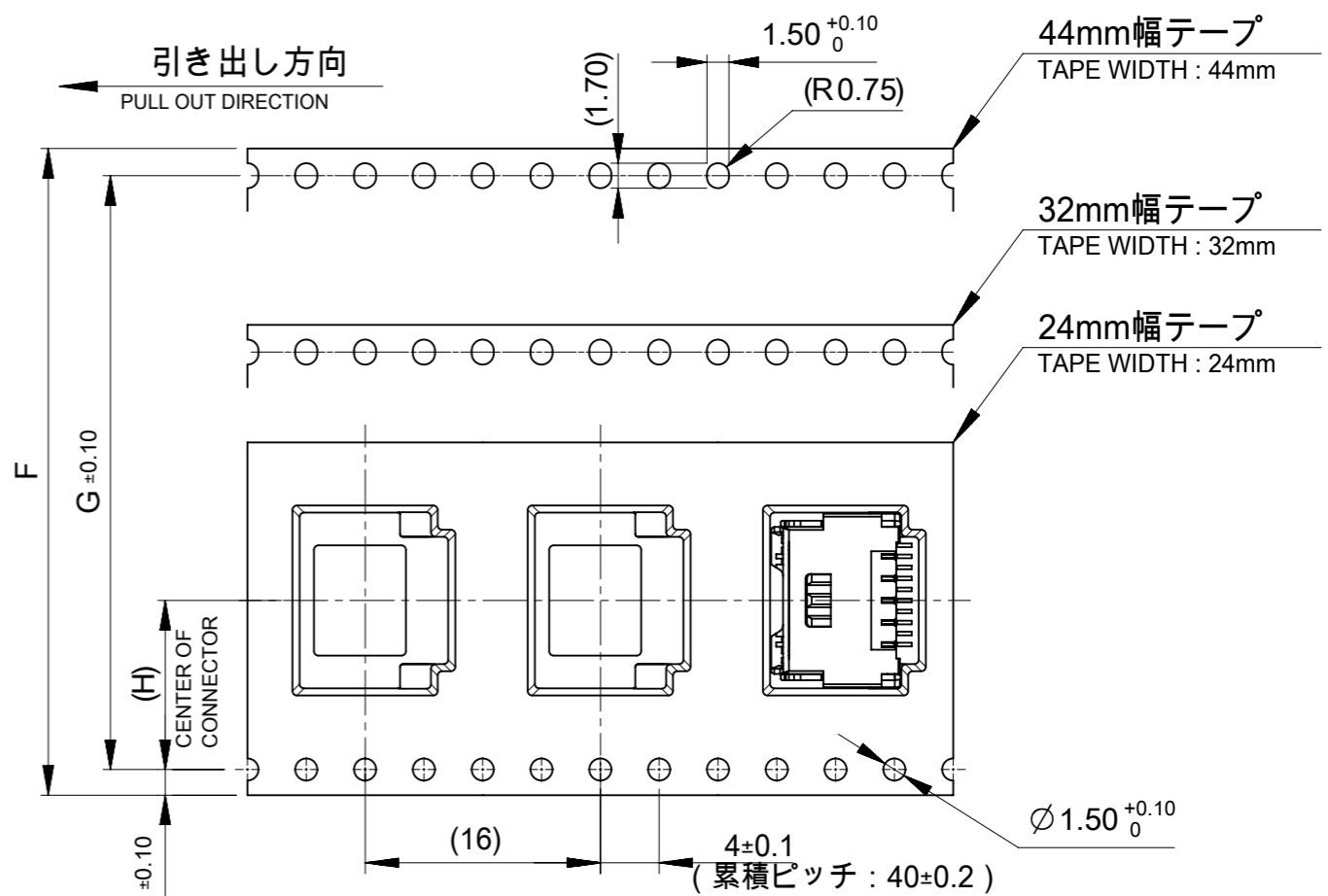
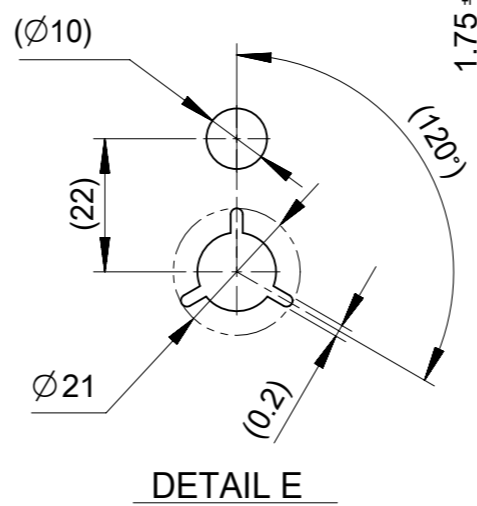
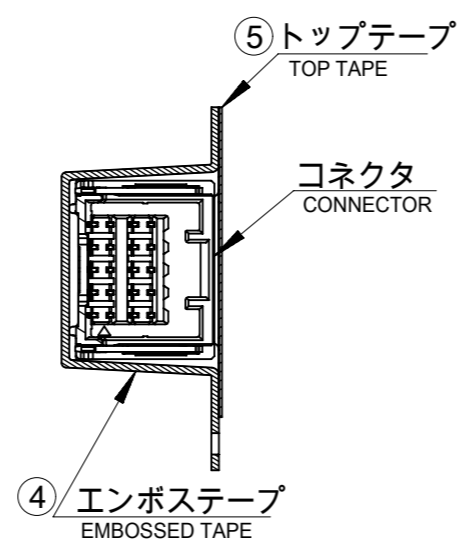


NOTE

- 7. 梱包数量 : 550個 / リール
NUMBER OF CONNECTORS : 550 PIECES/REEL
- 8. リードテープ長さ
LEAD TAPE LENGTH



- 9. トップテープの剥離強度: 0.1~1.3N (10.2~132.5gf)
剥離方向は下記参照:
PEELING OFF FORCE OF TOP TAPE
PEELING DIRECTION AS SHOWN IN FOLLOWING FIGURE:
尚、本規格は出荷時に適用。(ただし輸送時に剥離が発生しないこと)
THIS REQUIREMENT SHOULD BE APPLIED AT SHIPMENT.
PEELING OFF SHOULD NOT BE ALLOWED DURING TRANSPORTING.



| | | | | | |
|------|------|------|------|------------------------------------|------------------|
| 49.4 | 45.4 | 20.2 | 40.4 | 44±0.3 | 26 |
| | | | | | 24 |
| | | | | | 22 |
| | | | | | 20 |
| | | | | | 18 |
| 37.4 | 33.4 | 14.2 | 28.4 | 32±0.3 | 16 |
| | | | | | 14 |
| | | | | | 12 |
| 29.4 | 25.4 | 11.5 | - | 24 ^{+0.3} _{-0.1} | 10 |
| | | | | | 8 |
| K | J | H | G | エンボステープ幅F WIDTH OF TAPE | 極数 CIRCUIT NO |

| 番号 No. | 部品 PART | 材質 MATERIAL |
|-----------|---------------------------|---|
| ④ | エンボステープ EMBOSSSED TAPE | ポリスチレン(PS) POLYSTYLENE |
| ⑤ | トップテープ TOP TAPE | ポリエチレン、ポリエチレンテレフタレート POLYETHYLENE (PE), POLYETHYLENE TELEPHthalate (PET) |
| ⑥ | リール REEL | ポリスチレン (リサイクル材を含む) POLYSTYLENE (CONTAINED RECYCLED MATERIAL) |

THIS DRAWING CONTAINS INFORMATION THAT IS PROPRIETARY TO MOLEX ELECTRONIC TECHNOLOGIES, LLC AND SHOULD NOT BE USED WITHOUT WRITTEN PERMISSION

DIMENSION UNITS: mm SCALE: NTS

CURRENT REV DESC: REVISED

molex

CLIK-MATE 1.5
DUAL ROW SMT R/A TYPE REC ASSY TIN PLATING

PRODUCT CUSTOMER DRAWING

EC NO: 680153
DRWN: MIKEDA01 2021/10/05
CHK'D: SAKIYAMA 2021/10/05
APPR: KOMURAKAMI 2021/10/05

INITIAL REVISION:
DRWN: MIKEDA01 2019/05/07
APPR: KOMURAKAMI 2020/03/03

DOCUMENT NUMBER: 5031480000-SD
DOC TYPE: PSD
DOC PART: 000
REVISION: E

DRAFT WHERE APPLICABLE MUST REMAIN WITHIN DIMENSIONS

THIRD ANGLE PROJECTION

DRAWING: A3-SIZE
SERIES: 503148

MATERIAL NUMBER: GENERAL
CUSTOMER: GENERAL
SHEET NUMBER: 4 OF 6

△₃ 適用製品及び各種仕様書
 APPLICABLE PRODUCTS AND VARIOUS SPECIFICATIONS

| | | |
|----------------------------------|---------------------------|-----------------------------------|
| 梱包仕様書 PACKAGING SPECIFICATION | PART NUMBER 503148**9* | DOCUMENT NUMBER SPK-503148-001 |
|----------------------------------|---------------------------|-----------------------------------|

| | | | |
|--|----------------------|----------|--------|
| 適用嵌合相手 MATE WITH | HOUSING | TERMINAL | |
| | | #24-28 | #26-30 |
| シリーズ番号 SERIES NUMBER | 503149 | 502579 | 503429 |
| 製品仕様書 PRODUCT SPECIFICATION | 5031490000-PS/PS/000 | | |
| アプリケーション仕様書 APPLICATION SPECIFICATION | AS-503149-001 | | |

| | | | | | | | | | | | |
|---|---------|--|--------------------|------------------|-----------------|---|--|------------------------|----------|----------|----------|
| THIS DRAWING CONTAINS INFORMATION THAT IS PROPRIETARY TO MOLEX ELECTRONIC TECHNOLOGIES, LLC AND SHOULD NOT BE USED WITHOUT WRITTEN PERMISSION | | | | | | | | | | | |
| DIMENSION UNITS | SCALE | CURRENT REV DESC: REVISED | | | | molex | | | | | |
| mm | NTS | | | | | CLIK-MATE 1.5 DUAL ROW SMT R/A TYPE REC ASSY TIN PLATING | | | | | |
| GENERAL TOLERANCES (UNLESS SPECIFIED) | | EC NO: 680153 DRWN: MIKEDA01 2021/10/05 CHK'D: SAKIYAMA 2021/10/05 APPR: KOMURAKAMI 2021/10/05 INITIAL REVISION: DRWN: MIKEDA01 2019/05/07 APPR: KOMURAKAMI 2020/03/03 | | | | PRODUCT CUSTOMER DRAWING | | | | | |
| ANGULAR TOL | ± 3.0 ° | | | | | DOCUMENT NUMBER | | 5031480000-SD | DOC TYPE | DOC PART | REVISION |
| 4 PLACES | ± 0.2 | | | | | | | PSD | 000 | E | |
| 3 PLACES | ± 0.2 | | | | | | | | | | |
| 2 PLACES | ± 0.2 | | | | | | | | | | |
| 1 PLACE | ± 0.25 | | | | | | | | | | |
| 0 PLACES | ± 0.3 | | | | | | | | | | |
| DRAFT WHERE APPLICABLE MUST REMAIN WITHIN DIMENSIONS | | THIRD ANGLE PROJECTION | DRAWING A3-SIZE | SERIES 503148 | MATERIAL NUMBER | CUSTOMER GENERAL | | SHEET NUMBER 5 OF 6 | | | |

| | | | | |
|-----------------|----|--------------|------------|----------|
| DOCUMENT STATUS | P1 | RELEASE DATE | 2021/10/05 | 08:22:03 |
|-----------------|----|--------------|------------|----------|

4 製品一覧
PRODUCTS LIST

| 緑 GREEN | 青 BLUE | 赤 RED | 黒 BLACK | ナチュラル(ベージュ) NATURAL(BEIGE) | HOUSING COLOR |
|--------------------|-------------|-------------|-------------|-------------------------------|------------------|
| 503148 2696 | 503148 2694 | 503148 2692 | 503148 2691 | 503148 2690 | 26 |
| 503148 2496 | 503148 2494 | 503148 2492 | 503148 2491 | 503148 2490 | 24 |
| 503148 2296 | 503148 2294 | 503148 2292 | 503148 2291 | 503148 2290 | 22 |
| 503148 2096 | 503148 2094 | 503148 2092 | 503148 2091 | 503148 2090 | 20 |
| 503148 1896 | 503148 1894 | 503148 1892 | 503148 1891 | 503148 1890 | 18 |
| 503148 1696 | 503148 1694 | 503148 1692 | 503148 1691 | 503148 1690 | 16 |
| 503148 1496 | 503148 1494 | 503148 1492 | 503148 1491 | 503148 1490 | 14 |
| 503148 1296 | 503148 1294 | 503148 1292 | 503148 1291 | 503148 1290 | 12 |
| 503148 1096 | 503148 1094 | 503148 1092 | 503148 1091 | 503148 1090 | 10 |
| 503148 0896 | 503148 0894 | 503148 0892 | 503148 0891 | 503148 0890 | 8 |
| オーダー番号 ORDER NO | | | | | 極数 CIRCUIT NO |

| | | | | | | | | | | |
|---|---------|---------------------------|--|-----------------|------------|-----------------|---|--------------|----------|----------|
| THIS DRAWING CONTAINS INFORMATION THAT IS PROPRIETARY TO MOLEX ELECTRONIC TECHNOLOGIES, LLC AND SHOULD NOT BE USED WITHOUT WRITTEN PERMISSION | | | | | | | | | | |
| DIMENSION UNITS | SCALE | CURRENT REV DESC: REVISED | | | | | molex | | | |
| mm | NTS | | | | | | | | | |
| GENERAL TOLERANCES (UNLESS SPECIFIED) | | | | | | | CLIK-MATE 1.5 DUAL ROW SMT R/A TYPE REC ASSY TIN PLATING | | | |
| ANGULAR TOL | ± 3.0 ° | | | | | | PRODUCT CUSTOMER DRAWING | | | |
| 4 PLACES | ± 0.2 | EC NO: 680153 | | | | | | | | |
| 3 PLACES | ± 0.2 | DRWN: MIKEDA01 | | | 2021/10/05 | | | | | |
| 2 PLACES | ± 0.2 | CHK'D: SAKIYAMA | | | 2021/10/05 | | | | | |
| 1 PLACE | ± 0.25 | APPR: KOMURAKAMI | | | 2021/10/05 | | | | | |
| 0 PLACES | ± 0.3 | INITIAL REVISION: | | | | | | | | |
| DRAFT WHERE APPLICABLE MUST REMAIN WITHIN DIMENSIONS | | DRWN: MIKEDA01 | | | 2019/05/07 | DOCUMENT NUMBER | | DOC TYPE | DOC PART | REVISION |
| THIRD ANGLE PROJECTION | | APPR: KOMURAKAMI | | | 2020/03/03 | 5031480000-SD | | PSD | 000 | E |
| DRAWING | | SERIES | | MATERIAL NUMBER | | CUSTOMER | | SHEET NUMBER | | |
| A3-SIZE | | 503148 | | | | GENERAL | | 6 OF 6 | | |