

Notes:
Packaged individually in PE bag

| | | | | | |
|-----------|----------|-----------------|--|--|---|
| Revision: | Date: | Description: | Prepared: AW <small>Digitally signed by AW Date: 2018.04.18 12:50:19 -0700</small> | Notes: RoHS compliant | <h1>TENSILITY</h1> tel 1.541.323.3228 800 877.670.7118 fax 1.541.323.4202 web tensility.com |
| A | 4/9/2018 | Initial release | Verified: JP <small>Digitally signed by JP Date: 2018.04.18 13:22:46 -0700</small> | | |
| | | | Dimensions are in millimeters. Tolerances: X: ± 0.5 mm X.X: ± 0.3 mm X.XX: ± 0.05 mm | Description: Tool, assembly connector, max connector OD 5.5 mm, ABS | Size: A |
| | | | | | Part number: 55-00096 |
| | | | | | Scale: 1:1 |
| | | | | | Sheet 1 of 2 |

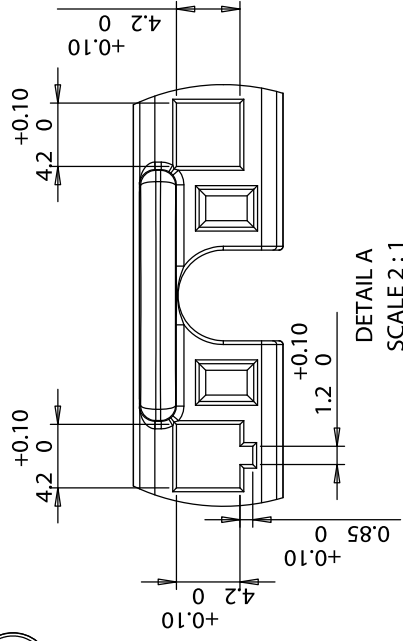
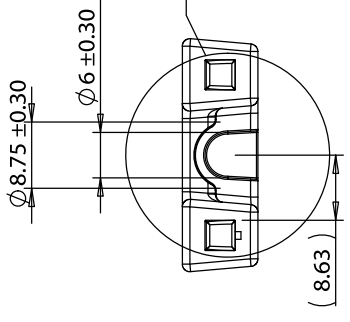
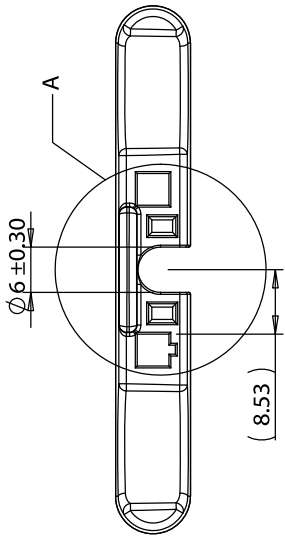
5

4

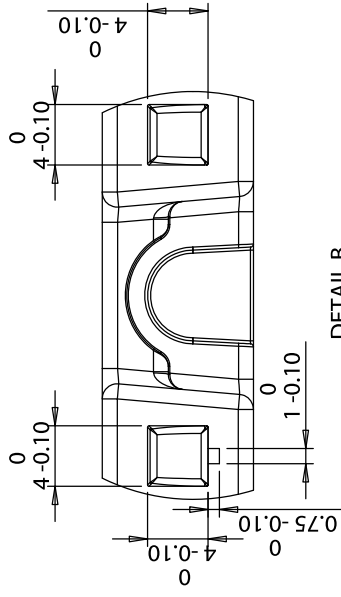
3

2

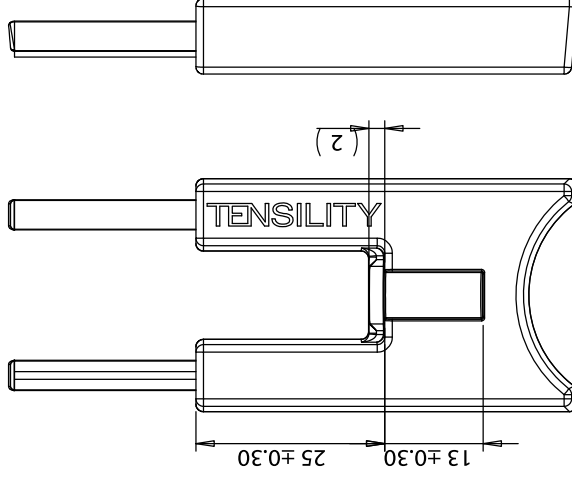
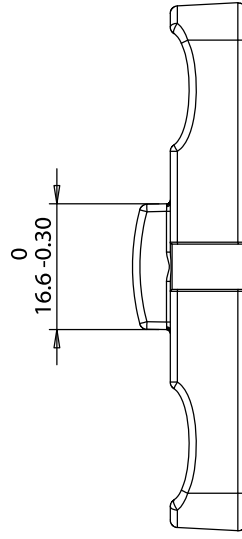
1



DETAIL A
SCALE 2:1



DETAIL B
SCALE 2:1



Notes:
Packaged individually in PE bag

| | | | | | | |
|-----------|----------|-----------------|--|--|---|--------------|
| Revision: | Date: | Description: | Prepared: | Notes: | TENSILITY | |
| A | 4/9/2018 | Initial release | AW Digitally signed by AW Date: 2018.04.18 13:50:34 -0700 | RoHS compliant | tel 1.541.323.3228 800 877.670.7118 fax 1.541.323.4202 web tensility.com | |
| | | | Verified: JP JPMPCB@TENSILITY.COM | Description: | Size: | Part number: |
| | | | Dimensions are in millimeters. | Tool, assembly connector, max connector OD 5.5 mm, ABS | A | 55-00096 |
| | | | Tolerances: X: ± 0.5 mm X.X: ± 0.3 mm X.XX: ± 0.05 mm | | Scale: | 1:1 |
| | | | | | | Sheet 2 of 2 |