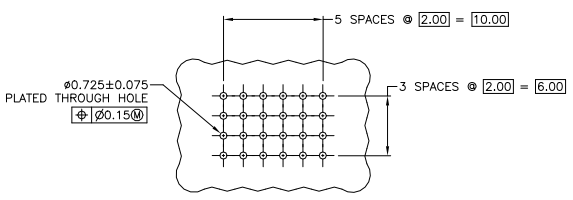
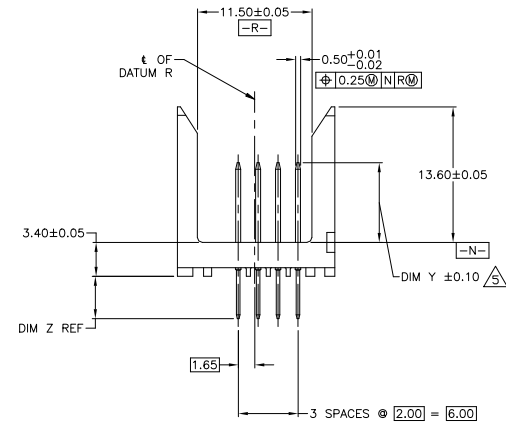
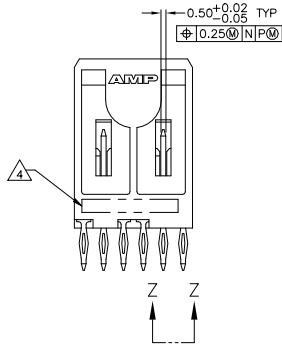
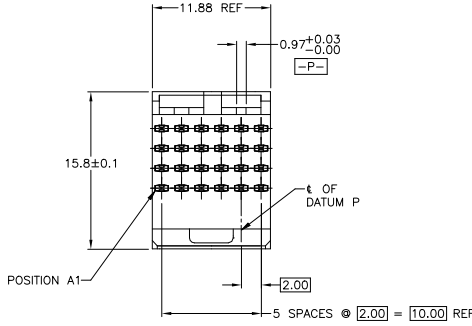
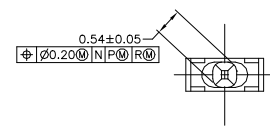


REVISIONS				
P	LN	DESCRIPTION	DATE	BY / APP
C		REVISED PER ECO-20-013368	25SEP2020	RZ / HL



RECOMMENDED CIRCUIT PATTERN
PER IPC-D300 TYPE II, CLASS C
(COMPONENT SIDE)



VIEW Z-Z
SCALE 20:1

- 1 HOUSING MATERIAL: LIQUID CRYSTAL POLYMER, NATURAL.
- 2 CONTACT MATERIAL: PHOSPHOR BRONZE.
- 3 CONTACT FINISH:(B)
UNDERPLATE (ENTIRE CONTACT):
0.00127 MIN NICKEL PER SAE-AMS-QQ-N-290
ON MATING SURFACES:
CONFORMS TO ALL TESTING SPECIFIED FOR TELCORDIA UNCONTROLLED ENVIRONMENT.
ON LEADS:
0.0006 MIN MATTE TIN PER ASTM B 545 OVER UNDERPLATE.
LUBRICATION (MIN MATING SURFACES):
SURFACE CONDITIONER AFTER PLATING.
- 4 PART MARKING, LOCATED APPROXIMATELY AS SHOWN.
- 5 DIMENSION APPLIES WHEN SEATED ON PRINTED CIRCUIT BOARD.

THIS DRAWING IS A CONTROLLED DOCUMENT.		BY: B.MCMMASTER 15SEP04	TE Connectivity
		CHK: R.WERTZ 15SEP04	
DIMENSIONS: mm		TOLERANCES UNLESS OTHERWISE SPECIFIED:	NAME: PIN ASSY SIGNAL Z-PACK 2mm FB
0 P.C.	# -	0.10	4R 24P PRESS FIT LEADS
1 P.C.	# -	0.15	VARIOUS OF SEQUENCING
2 P.C.	# 0.13	0.10	
3 P.C.	# -	0.10	
4 P.C.	# -	0.10	
ANGLES:	# -		
MATERIAL:		WEIGHT: 0	SIZE: ONE CODE DRAWING NO: A100779
FINISH:			DATE: 05/22/2010
CUSTOMER DRAWING		SCALE: 4:1	RESTRICTED TO: -
		SHEET: 1 OF 2	REV: C

Table with columns: #, LIN, DESCRIPTION, DTE, DIM, REV. Row 1: SEE SHEET 1

Table with columns: Part Number, Contact Load Chart, Dimensions (8.25, 13.60, etc.)

Table with columns: D, E, A, A, A, J, C, D. Row 1: 5223610-7

Table with columns: D, N, N, N, N, N, N, D. Row 1: 1-5223610-7

Table with columns: D, E, N, N, E, T, T, D. Row 1: 5-5223610-1

Table with columns: D, E, E, E, E, D. Row 1: 6-5223610-6

Table with columns: D, E, A, A, A, A, A, D, C. Row 1: 5223610-8 OBSOLETE

Table with columns: D, T, T, T, T, T, T, D. Row 1: 1-5223610-8 OBSOLETE

Table with columns: D, J, U, X, X, J, U, Y, Y, D. Row 1: 5-5223610-3 OBSOLETE

Table with columns: D, A, A, A, A, D. Row 1: 6-5223610-7

Table with columns: D, R, R, R, R, R, R, R, D. Row 1: 5223610-9

Table with columns: D, C, C, C, C, C, C, D. Row 1: 1-5223610-9 OBSOLETE

Table with columns: D, N, E, E, E, E, D. Row 1: 5-5223610-5

Table with columns: D, E, E, N, N, N, D. Row 1: 6-5223610-8

Table with columns: D, T, E, N, N, N, N, D. Row 1: 5223610-1 OBSOLETE

Table with columns: D, R, R, R, R, R, R, R, D. Row 1: 1-5223610-0 OBSOLETE

Table with columns: D, T, T, T, T, T, T, D. Row 1: 2-5223610-0

Table with columns: D, S, S, U, U, U, U, U, U, U, D. Row 1: 5-5223610-8 OBSOLETE

Table with columns: D, E, N, E, E, E, D. Row 1: 6-5223610-9

Table with columns: D, N, J, J, J, J, J, D. Row 1: 5223610-2 OBSOLETE

Table with columns: D, A, A, A, A, A, A, D. Row 1: 1-5223610-1 OBSOLETE

Table with columns: D, E, E, E, J, E, E, D. Row 1: 2-5223610-3

Table with columns: D, T, E, E, E, E, D. Row 1: 5-5223610-9

Table with columns: D, J, J, N, N, J, J, D. Row 1: 7-5223610-0 OBSOLETE

Table with columns: D, E, A, A, A, A, A, D. Row 1: 5223610-3

Table with columns: D, J, J, J, J, J, D, C. Row 1: 1-5223610-2 OBSOLETE

Table with columns: D, J, J, J, J, J, D. Row 1: 2-5223610-4

Table with columns: D, U, U, U, U, G, U, U, U, D. Row 1: 6-5223610-0 OBSOLETE

Table with columns: D, J, J, J, J, J, D. Row 1: 7-5223610-1 OBSOLETE

Table with columns: D, Y, Y, Y, Y, Y, D. Row 1: 5223610-4 OBSOLETE

Table with columns: D, J, J, J, T, J, J, D. Row 1: 1-5223610-3 OBSOLETE

Table with columns: D, J, J, J, J, J, D. Row 1: 2-5223610-5

Table with columns: D, W, W, W, W, W, W, D. Row 1: 6-5223610-1

Table with columns: D, J, J, J, J, J, D. Row 1: 7-5223610-7

Table with columns: D, N, N, N, N, N, D. Row 1: 5223610-5 OBSOLETE

Table with columns: D, P, P, P, P, P, P, P, D. Row 1: 1-5223610-4

Table with columns: D, H, H, H, H, H, H, D. Row 1: 2-5223610-6

Table with columns: D, E, E, E, J, N, T, D. Row 1: 6-5223610-3

Table with columns: D, A, E, E, A, A, A, D. Row 1: 5223610-6

Table with columns: D, R, R, R, R, R, R, R, D. Row 1: 1-5223610-5

Table with columns: D, A, A, A, A, A, A, D. Row 1: 2-5223610-7

Table with columns: D, A, A, A, A, A, A, D. Row 1: 6-5223610-4

Table with columns: D, U, Y, Y, J, U, S, S, S, D. Row 1: 5-5223610-0 OBSOLETE

Technical drawing header containing dimensions, materials, and application information.