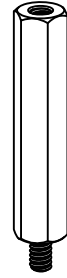
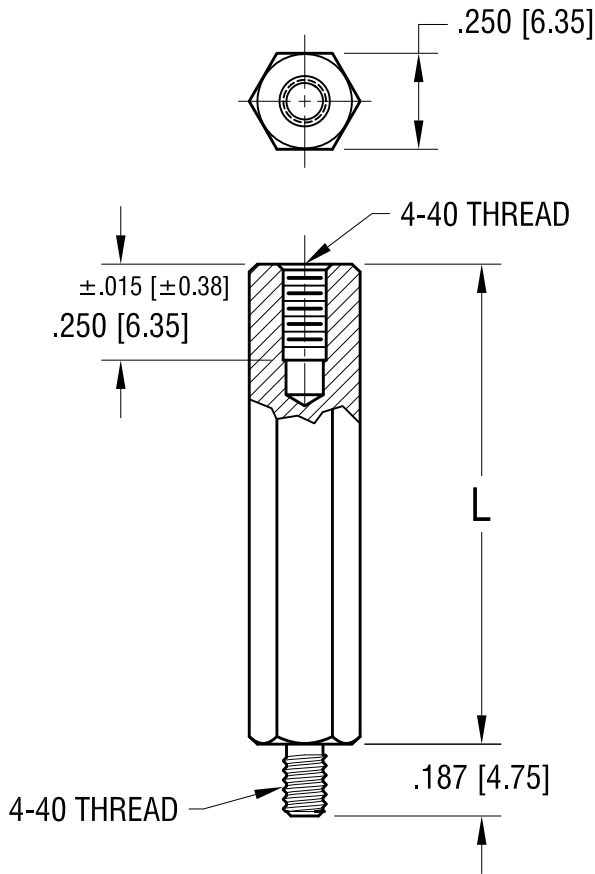


THIS DOCUMENT IS THE PROPERTY OF
KEYSTONE ELECTRONICS CORP. AND
SHALL NOT BE REPRODUCED, DISTRIBUTED
OR USED AS A BASIS FOR MANUFACTURE
WITHOUT PRIOR WRITTEN PERMISSION
FROM KEYSTONE ELECTRONICS CORP.

ACTUAL SIZE



P/N 8407



PART NO.	'L' DIM.
8407	1.250 [31.75]
8408	1.375 [34.93]
8409	1.500 [38.10]
8410	1.625 [41.28]
8411	1.750 [44.45]
8412	2.000 [50.80]

KEYSTONE ELECTRONICS CORP.
www.keyelco.com • NEW HYDE PARK NY 11040 • Tel (516)328-7500

PART NAME
HEX M/F STANDOFF

MATERIAL
ALUMINUM

FINISH CLEAR IRIDITE	DRN BY BOONE	DATE 4.26.94
	APP'D LN	SCALE 2X

TOLERANCES DECIMAL ANGULAR UNLESS OTHERWISE SPECIFIED	INCH [MM] ± .005 [± 0.13] ± 1°	CODE C	DWG NO. 8407-8412
--	--------------------------------------	-----------	-----------------------------

7.7.22	CHANGE AS PER ECN 22-115	B
3.3.97	CHANGE AS PER ECR 97-019	A
DATE	DESCRIPTION	REV.