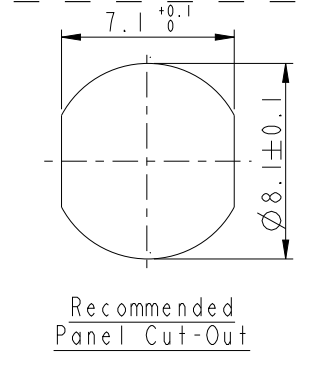
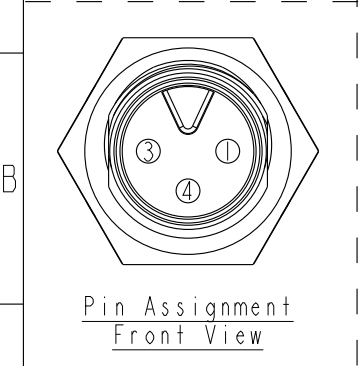
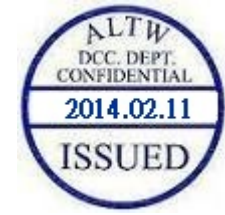
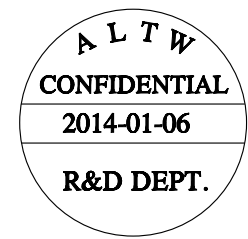
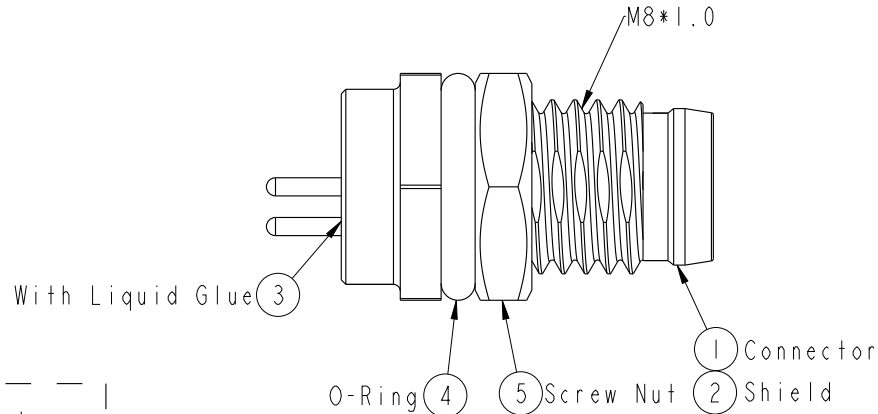
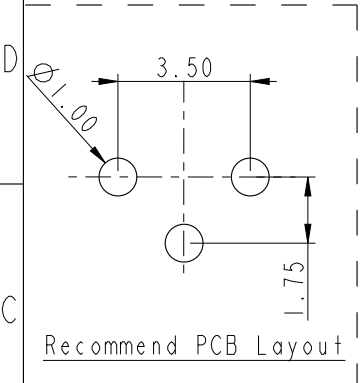
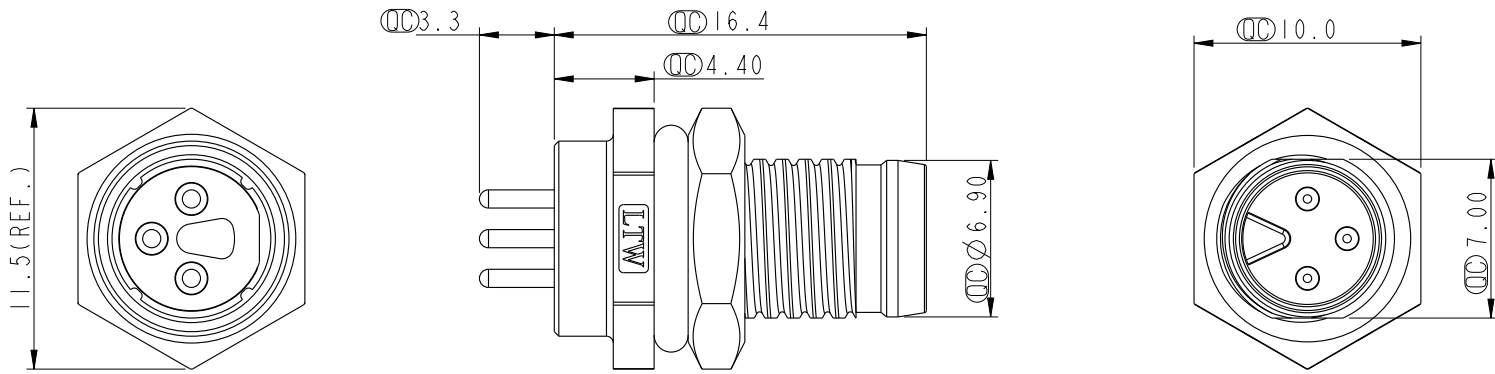


THIS DOCUMENT IS SUBJECT TO CHANGE WITHOUT NOTICE. IT IS CONFIDENTIAL AND A PROPERTY OF Amphenol LTW. DISCLOSURE TO THIRD PARTY HAS TO BE AUTHORIZED BY Amphenol LTW.

REV.	ECN NO.	DATE	SIGN	DESCRIPTION



- Note:
- \* ⌀ Important Dimension.
  - \* Waterproof Rate: IP67.
  - \* Housing: Nylon+GF, Black.
  - \* Male Pin: Copper Alloy, Gold Plated.
  - \* Shield: Zinc Alloy, Nickel Plated.
  - \* Screw Nut: Copper Alloy, Nickel Plated.
  - \* O-Ring: EPDM, Black.
  - \* For Panel Thickness Max 3.0mm.
  - \* Nut Torque: 4~6 kgf.cm.

UNIT:mm		TITLE		<b>Amphenol LTW</b> 安費諾亮泰企業股份有限公司	ITEM NO	DRAWN BY	DATE
		M8 3Pin Panel M Conn. M Pin			8A-03PMMP-SF7001	Mila	2014-01-06
TOLERANCE		SCALE	SIZE	SHEET 1 OF 1	DWG NO	CHECKED BY	DATE
.X ±0.25		3:1	A4		8A-03PMMP-SF7001	Jimmy	2014-01-06
.XX ±0.1		REV.	WC-REV.		CUSTOMER	APPROVED BY	DATE
.XXX ±0.05		A	A.3		ALTW	Jerry	2014-01-06
ANGLES ±1°							