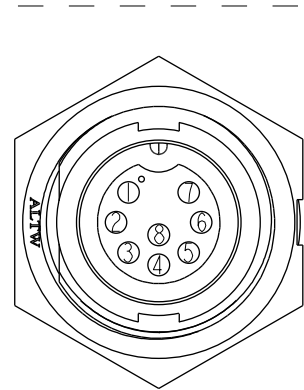
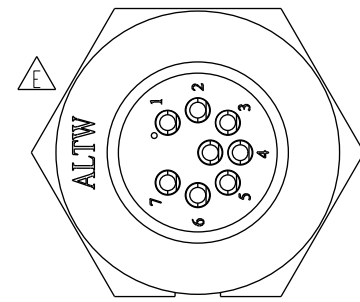
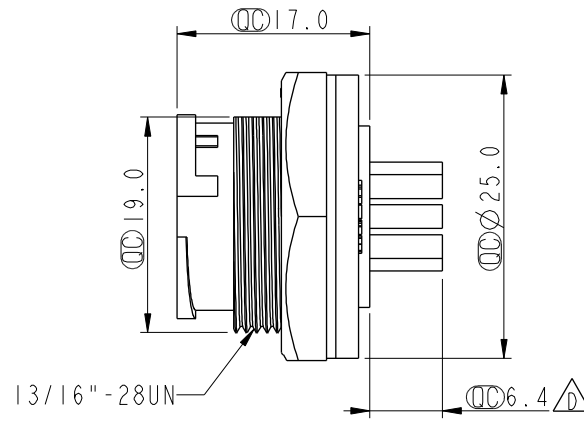
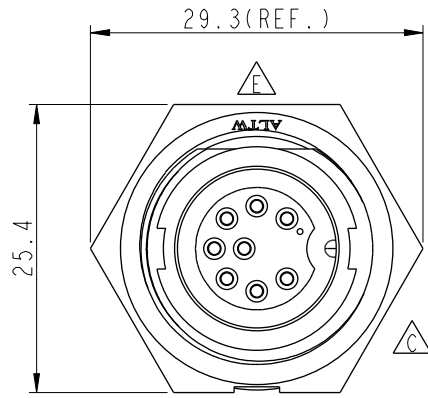


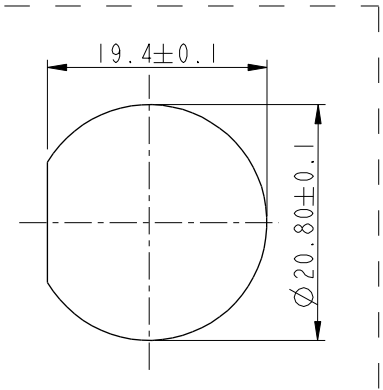
THIS DOCUMENT IS SUBJECT TO CHANGE WITHOUT NOTICE. IT IS CONFIDENTIAL AND A PROPERTY OF AMPHENOL LTW. DISCLOSURE TO THIRD PARTY HAS TO BE AUTHORIZED BY AMPHENOL LTW.

REV.	ECN NO.	DATE	SIGN	DESCRIPTION
D	LEN-910263	2008/01/15	TOMMY	CHANGE PIN DIMENSION
E	LEN1630502	2016/03/16	Ruru	Change Logo
F	CI90271	2019/02/27	Ruru	Modify Note

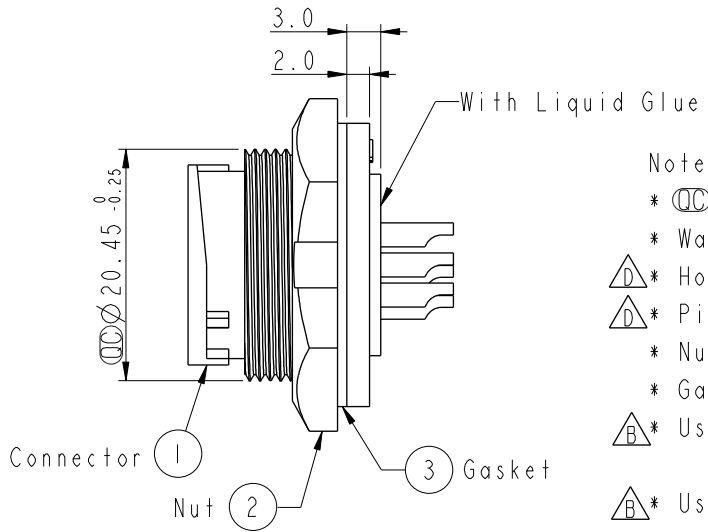
ALTW
 CONFIDENTIAL
 2019-02-27
 R&D DEPT.



Pin Assignments
Front View



Recommended Panel Cut-Out



- Note: \triangle
- * CC Important Dimension To Check.
 - * Waterproof Rate: IP67, Unmated
 - \triangle * Housing: Thermoplastic, Black
 - \triangle * Pin: Copper Alloy, Gold Plated
 - * Nut: Thermoplastic, Black
 - * Gasket: Rubber, Black
 - \triangle * Use with waterproof cap or dust cap
Panel Thickness Max: 3.0mm
 - \triangle * Use without waterproof cap or dust cap
Panel Thickness Max: 4.0mm
 - * Gasket and Nut are packed separately in PE bags.

UNIT:mm TOLERANCE .X ±0.25 .XX ±0.1 .XXX ±0.05 ANGLES ±1°	TITLE Middle Panel Lock 8Pin M Conn F Pin			Amphenol LTW 安費諾亮泰企業股份有限公司		ITEM NO CD-08PMFS-LC7001	DRAWN BY Ruru	DATE 2019-02-27
	SCALE 1:1	SIZE A4	SHEET 1 OF 1			DWG NO CD-08PMFS-LC7001	CHECKED BY Rita	DATE 2019-02-27
	REV. F	WC-REV. A.3	CC : Inspection item	CUSTOMER ALTW	APPROVED BY Max	DATE 2019-02-27		
						6	7	8