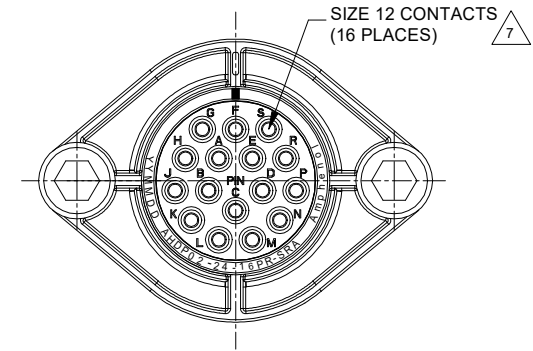
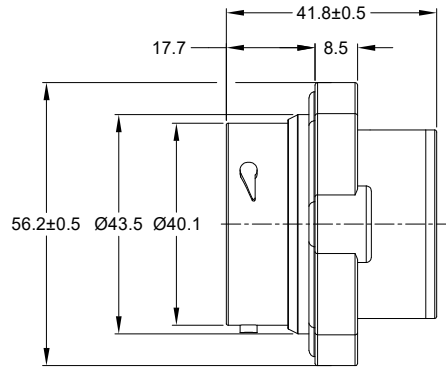
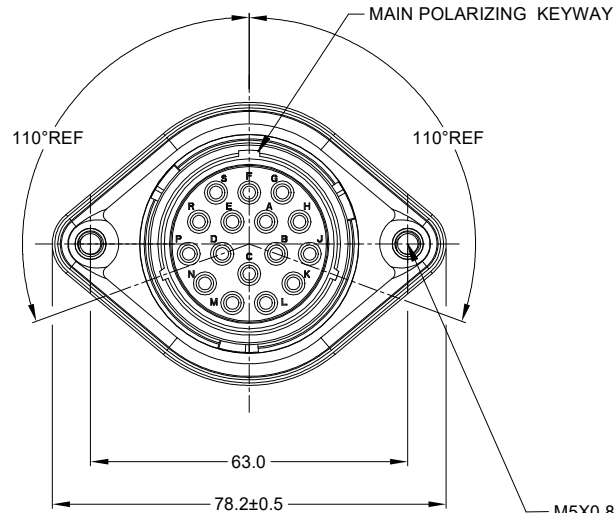


REVISIONS					
REV	ECO	DESCRIPTION	DATE	BY	APPR
A1	-	RELEASE NEW DRAWING	16/JUL/20	LOUIE	TOMMY



M5X0.8-6H 8mm(2X) DEEP
THREADED INSERT

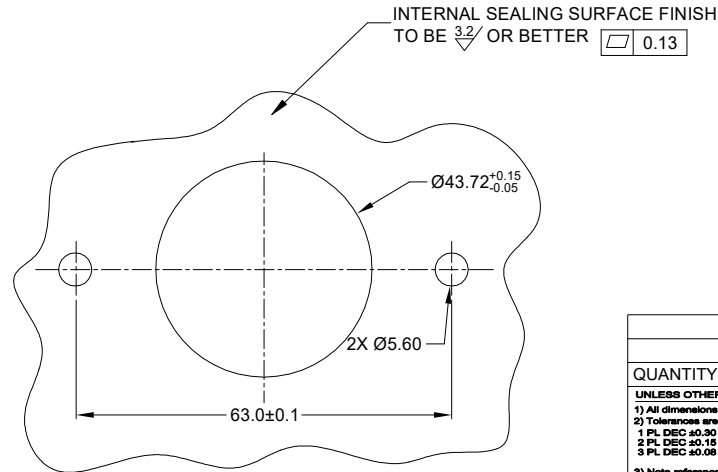
RECOMMENDED TORQUE
VALUES: 1.9-2.2 N.m

NOTES: UNLESS OTHERWISE SPECIFIED

- MATERIAL:
HOUSING: THERMOPLASTIC; BLACK
SEAL: SILICONE RUBBER
THREADED INSERT: STAINLESS STEEL
- MODIFICATIONS: SMOOTH RING ADAPTER (SRA);
REDUCED DIA. WIRE SEAL
SEALED PANEL MOUNT
- SPECIFICATIONS:
3.1 OPERATING TEMPERATURE: -55°C TO +125°C.
3.2 DIELECTRIC WITHSTANDING VOLTAGE: LESS THAN 2
MILLIAMPS CURRENT LEAKAGE @ 1500 VOLTS AC.
3.3 INSULATION RESISTANCE: 1000 MEGOHM MIN @ 25°C.
3.4 MOISTURE RESISTANCE: IP67&IP69K (MATED CONDITION).
3.5 MATING CYCLE DURABILITY: 100 CYCLES
3.6 RoHS COMPLIANT
- MATING PART: AHDP06-24-16S* (* = SEAL TYPE)
- ALL DIMENSIONS ARE FOR REFERENCE USE ONLY.
- RECEPTACLE IS SUPPLIED WITH DUST CAP (NOT SHOW)

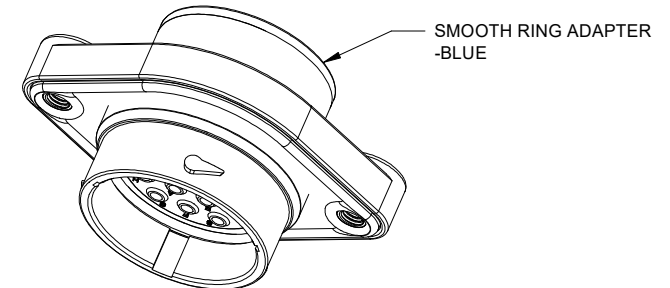
△ CONTACT SIZE AND WIRE RANGE:

CONTACT SIZE	MIN. INSUL O.D.	MAX. INSUL O.D.	TYPICAL WIRE RANGE	CURRENT RATING
12	2.46 mm (.097in)	4.01 mm (.158in)	10-14 AWG (6.0-6.0mm ²)	25 AMPS



RECOMMENDED PANEL
MOUNTING HOLE

RECOMMENDED PANEL
THICKNESS: 1.6 TO 4.7MM



SMOOTH RING ADAPTER
-BLUE

AHDPO2-24-16PR-SRA		PART NUMBER		DESCRIPTION		ITEM
QUANTITY		MATERIALS LIST				
UNLESS OTHERWISE SPECIFIED		SIGNATURES		DATE		<p>Sine Systems - www.amphenol-sine.com 44724 Morley Drive Clinton Township, MI 48036</p> <p>16 POS, RECEPTACLE, PIN, PANELMATE AHDPO2-24-16PR-SRA</p>
1) All dimensions are in metric(mm).		DRAWN: LOUIE		16/JUL/20		
2) Tolerances are as follows:		CHECKED: ORION		17/JUL/20		
1 PL DEC ±0.30 Fractions 1/64		ENGINEER:				
2 PL DEC ±0.15		APPROVAL: TOMMY		20/JUL/20		<p>THIS DRAWING IS SUPPLIED FOR INFORMATION ONLY. DESIGN FEATURES, SPECIFICATIONS AND PERFORMANCE DATA SHOWN HEREON ARE THE PROPERTY OF THE AMPHENOL CORPORATION. NO RIGHTS OF REPRODUCTION ARE IMPLIED. ALL DIMENSIONS ARE SUBJECT TO NORMAL MANUFACTURING VARIATIONS.</p>
3 PL DEC ±0.08		CUSTOMER:				
3) Note reference = △						
MATERIAL SPECIFICATIONS:						<p>SIZE: B C-</p> <p>DWG NO: AHDPO2-24-16PR-SRA</p> <p>REVISION: A1</p>
PROCESS SPECIFICATIONS:						<p>SCALE: NONE</p> <p>DURAMATE</p> <p>SHEET 1 OF 1</p>
NEXT ASSY:						

TITLE: 16 POS, RECEPTACLE, PIN, PANELMATE, APP SIZE 24, RD SEAL, SRA

DWG NO: AHDPO2-24-16PR-SRA

REV: A1

SH: 1

OF: 1