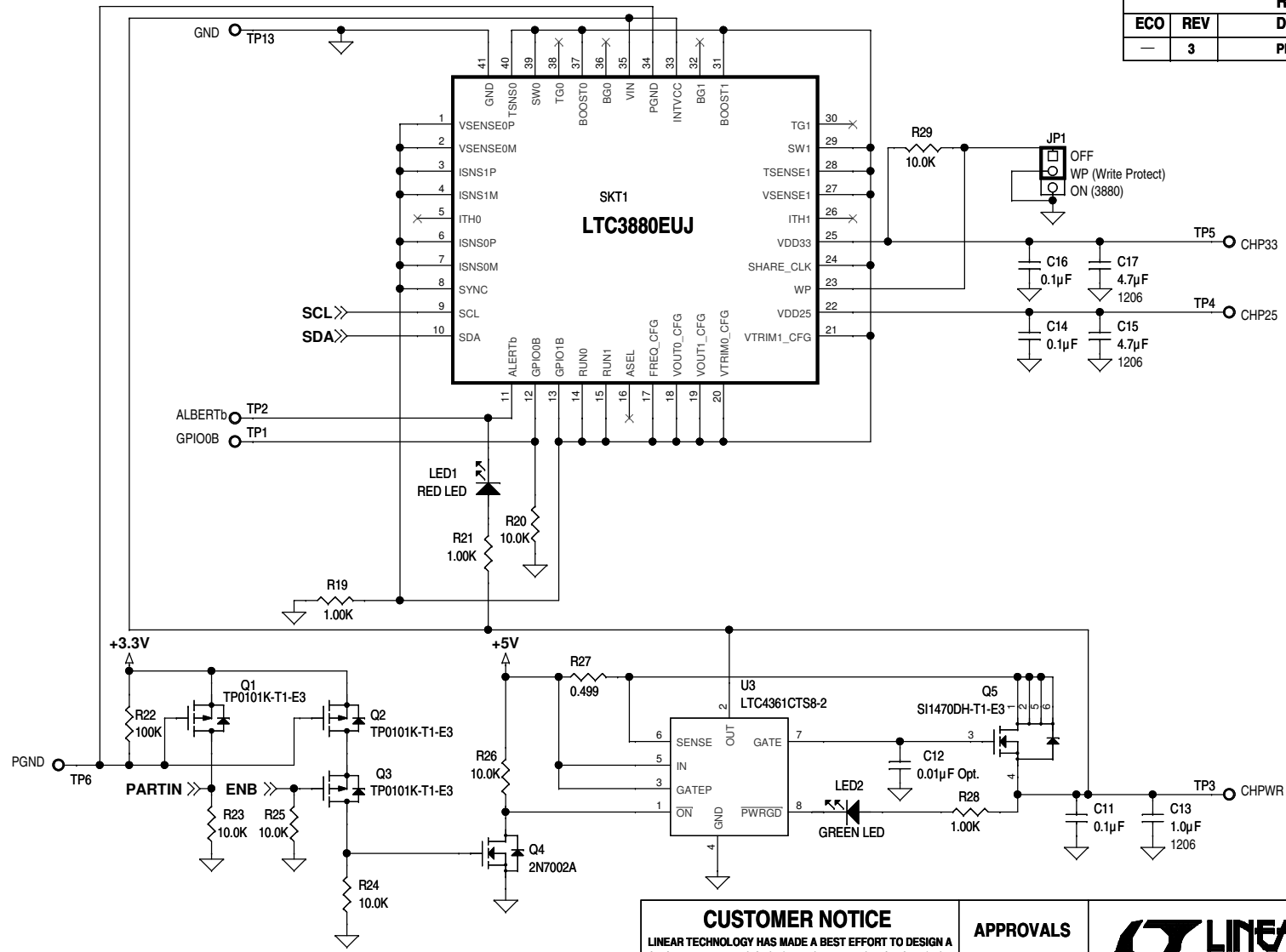


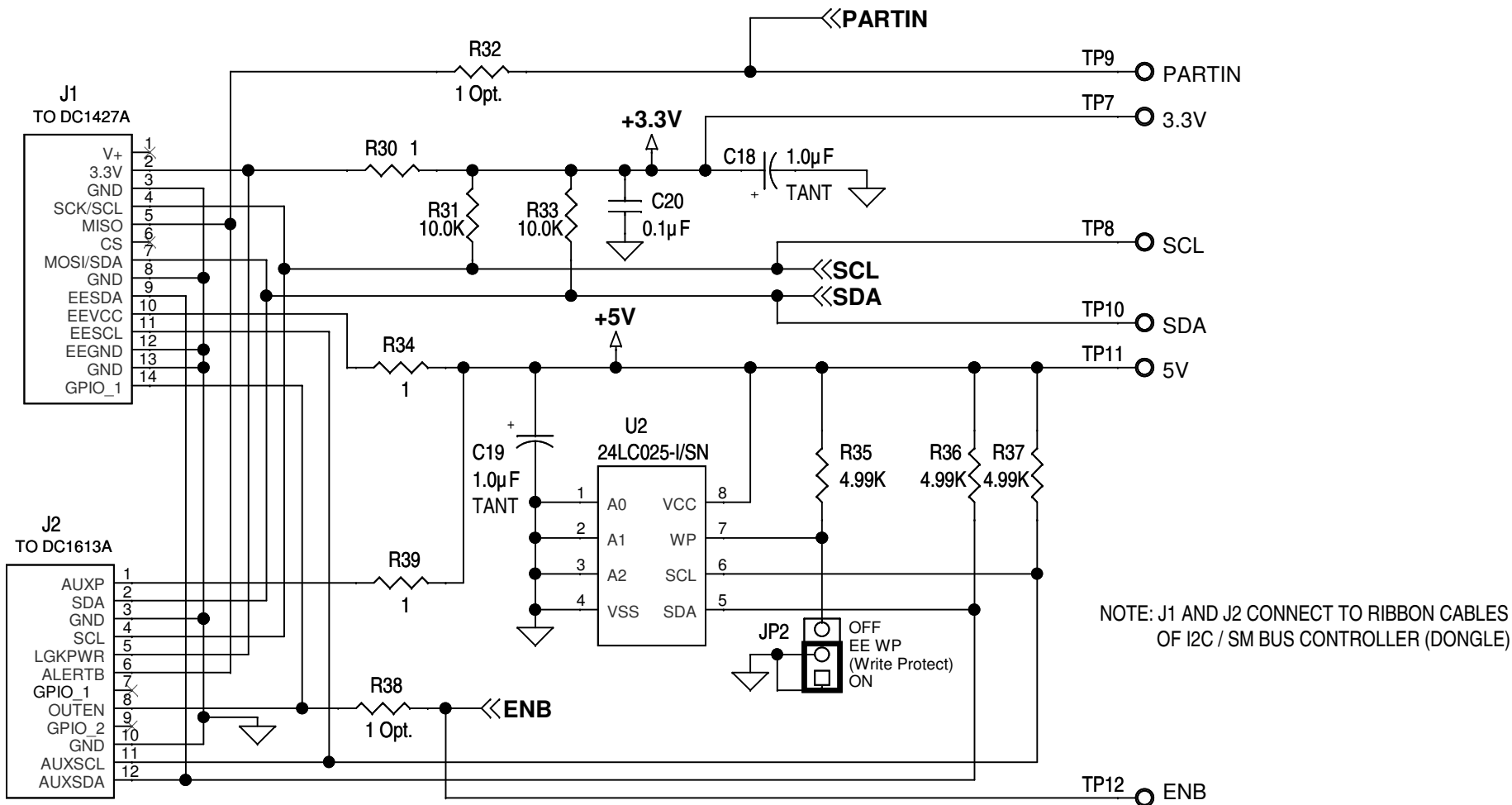
REVISION HISTORY				
ECO	REV	DESCRIPTION	APPROVED	DATE
-	3	PRODUCTION	YI.S.	3-30-12



NOTE: UNLESS OTHERWISE SPECIFIED

1. ALL RESISTORS ARE 0805
ALL CAPACITORS ARE 0603.
2. INSTALL SHUNTS AS SHOWN.

<p>CUSTOMER NOTICE</p> <p>LINEAR TECHNOLOGY HAS MADE A BEST EFFORT TO DESIGN A CIRCUIT THAT MEETS CUSTOMER-SUPPLIED SPECIFICATIONS; HOWEVER, IT REMAINS THE CUSTOMER'S RESPONSIBILITY TO VERIFY PROPER AND RELIABLE OPERATION IN THE ACTUAL APPLICATION. COMPONENT SUBSTITUTION AND PRINTED CIRCUIT BOARD LAYOUT MAY SIGNIFICANTLY AFFECT CIRCUIT PERFORMANCE OR RELIABILITY. CONTACT LINEAR TECHNOLOGY APPLICATIONS ENGINEERING FOR ASSISTANCE.</p>		<p>APPROVALS</p> <p>PCB DES. SEAN M. / HZ</p> <p>APP ENG. YI.S.</p>		<p>LINEAR TECHNOLOGY</p> <p>1630 McCarthy Blvd. Milpitas, CA 95035 Phone: (408)432-1900 www.linear.com Fax: (408)434-0507 LTC Confidential-For Customer Use Only</p>	
		<p>THIS CIRCUIT IS PROPRIETARY TO LINEAR TECHNOLOGY AND SUPPLIED FOR USE WITH LINEAR TECHNOLOGY PARTS.</p>		<p>TITLE: SCHEMATIC</p> <p>LTC3880 PROGRAMMING BOARD</p>	
<p>SCALE = NONE</p>		<p>DATE: Tuesday, April 17, 2012</p>		<p>SIZE N/A IC NO. LTC3880EUJ FAMILY</p> <p>DEMO CIRCUIT 1709A</p>	
				<p>REV. 3</p> <p>SHEET 1 OF 2</p>	



NOTE: J1 AND J2 CONNECT TO RIBBON CABLES OF I2C / SM BUS CONTROLLER (DONGLE)

CUSTOMER NOTICE

LINEAR TECHNOLOGY HAS MADE A BEST EFFORT TO DESIGN A CIRCUIT THAT MEETS CUSTOMER-SUPPLIED SPECIFICATIONS; HOWEVER, IT REMAINS THE CUSTOMER'S RESPONSIBILITY TO VERIFY PROPER AND RELIABLE OPERATION IN THE ACTUAL APPLICATION. COMPONENT SUBSTITUTION AND PRINTED CIRCUIT BOARD LAYOUT MAY SIGNIFICANTLY AFFECT CIRCUIT PERFORMANCE OR RELIABILITY. CONTACT LINEAR TECHNOLOGY APPLICATIONS ENGINEERING FOR ASSISTANCE.

THIS CIRCUIT IS PROPRIETARY TO LINEAR TECHNOLOGY AND SUPPLIED FOR USE WITH LINEAR TECHNOLOGY PARTS.

APPROVALS

PCB DES.	SEAN M. / HZ
APP ENG.	YI S.

SCALE = NONE



1630 McCarthy Blvd.
Milpitas, CA 95035
Phone: (408)432-1900 www.linear.com
Fax: (408)434-0507
LTC Confidential-For Customer Use Only

TITLE: SCHEMATIC

LTC3880 PROGRAMMING BOARD

SIZE	IC NO.	LTC3880EUJ FAMILY	REV.
N/A		DEMO CIRCUIT 1709A	3

DATE: Tuesday, April 17, 2012 SHEET 2 OF 2