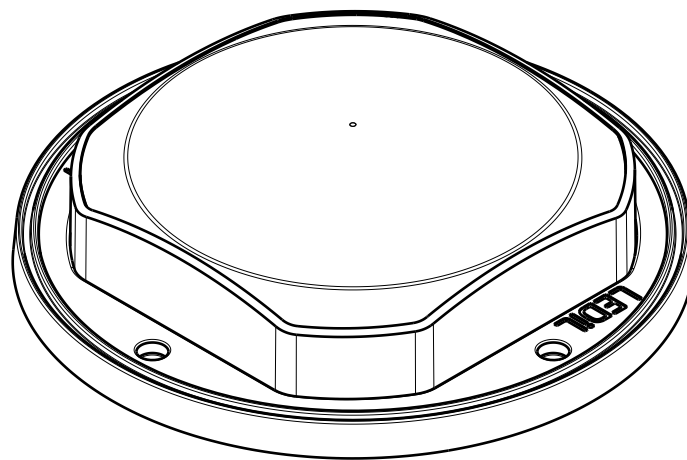


Venting pipe:  
Piercing this membrane  
will Allow lens breathing

Section view A-A  
Scale: 5:1

NOTE: Maximum recommended tightening  
torque for STELLA-FRAME-WHT is 0,4Nm



Isometric view  
Scale: 1:1

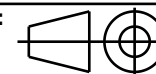
INDEX	PART NO	DESCRIPTION	MATERIAL	COLOUR
1	F14627	STELLA-FRESNEL	Optical grade LSR	
	F14252	STELLA-FRAME-WHT	PA66GF30	white

Tolerances if not otherwise shown  
According to DIN ISO 2768-1  
Linear measures: class V  
Please note that due to the elasticity of  
products made of silicone actual measured  
values may vary, and therefore typical  
tolerance values may not be applied.

**LEDiL**

Ledil Oy  
Salorankatu 10  
FIN 24240 SALO  
Finland

THIRD ANGLE PROJECTION:



DRAWING TITLE

**FN15188\_STELLA-FRESNEL**

This drawing is the property  
of LEDiL Oy. It may not be  
reproduced, copied or  
communicated without a written  
agreement with LEDiL Oy.

SIZE PART NUMBER

**A3**

**FN15188**

SCALE

1:1

WEIGHT

35 g

SHEET

1/1