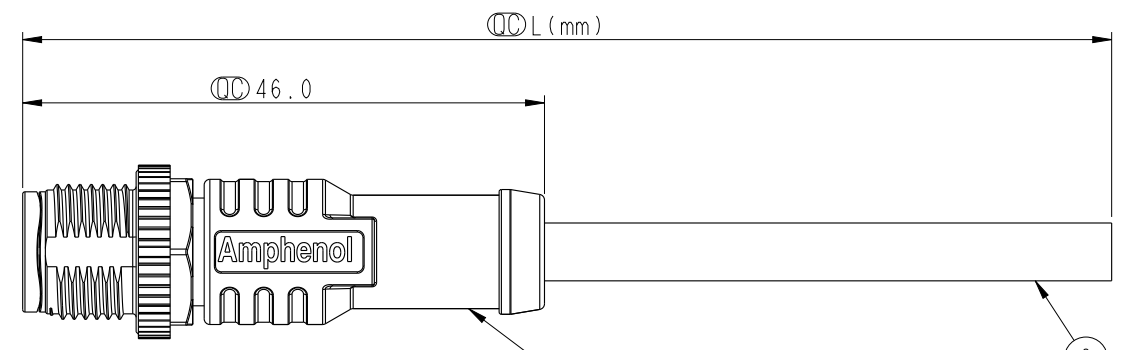


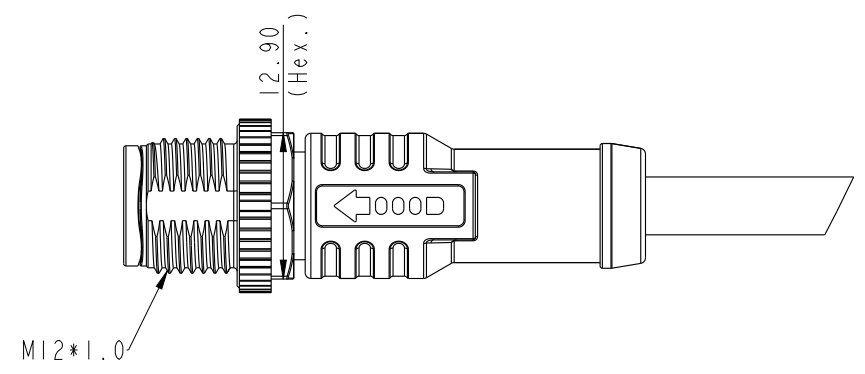
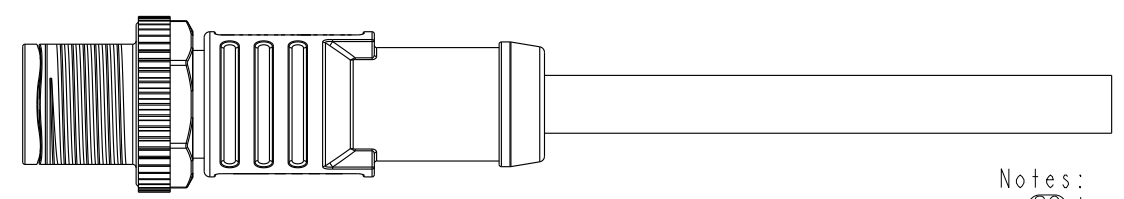
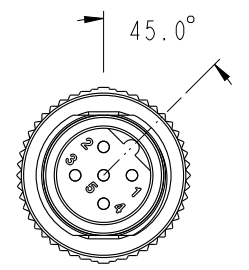
THIS DOCUMENT IS SUBJECT TO CHANGE WITHOUT NOTICE. IT IS CONFIDENTIAL AND A PROPERTY OF Amphenol LTW. DISCLOSURE TO THIRD PARTY HAS TO BE AUTHORIZED BY Amphenol LTW.

REV.	ECN NO.	DATE	SIGN	DESCRIPTION
A	Initial Release	2015-07-25	Feng_Li	Change Rev.01 To Rev.A
B	LEN1750120	2017-04-06	Lingpeng	Change The Cable OD



① MI2B-05BMMM-SL8000
Color:Black

② Cable



- Notes:
- * \varnothing Important Dimension.
 - * Waterproof Rate: IP68.
 - * Connector: PU+GF,Black.
 - * Male Pin: Copper Alloy, Gold Plated.
 - * Screw Nut: Zinc Alloy, Nickel Plated.
 - * Outer Mold: PU,Black.
 - * Cable: (A) UL2517,PVC Jacket,Yellow.
(B) UL20549,PUR Jacket,Black.
(D) UL2517,PVC Jacket,Black.
 - * Rated Voltage: 60V dc. or ac.
 - * Rated Current: 4A
 - * Operating Temperature: -25~85°C
 - * Cable Length Tolerance: 01M:±40mm
02M~05M:±60mm
06M~10M:±100mm
11M~30M:±200mm
31M~99M:±500mm

UNIT:mm		
TOLERANCE		
±0.5mm		

TITLE MI2 B Type Cable Male Conn.			
SCALE 3:2	SIZE A4	SHEET 1 OF 2	
REV. B	WC-REV. A.2	QC: Inspection item	

Amphenol LTW
安費諾亮泰企業股份有限公司

ITEM NO	DRAWN BY Lingpeng	DATE 2017-04-06
DWG NO MI2B-05BMMM-SL8XXX	CHECKED BY Ma Fei	DATE 2017-04-06
CUSTOMER ALTW	APPROVED BY Jerry	DATE 2017-04-06

THIS DOCUMENT IS SUBJECT TO CHANGE WITHOUT NOTICE. IT IS CONFIDENTIAL AND A PROPERTY OF Amphenol LTW. DISCLOSURE TO THIRD PARTY HAS TO BE AUTHORIZED BY Amphenol LTW.

	6	7	8
	5P	PVC	5.1 22 MI2B-05BMMM-SL8DXX
	5P	PUR	4.4 22 MI2B-05BMMM-SL8BXX
	5P	PVC	5.1 22 MI2B-05BMMM-SL8AXX
	Contacts	Cable Jacket	Cable OD AWG Item No.



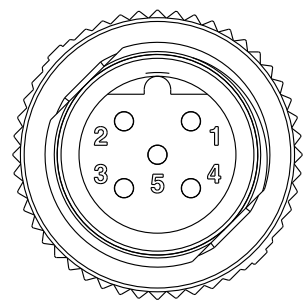
M I2B - 05 B M M M - S L 8 X XX

I2B: B-Code
 05: 5Pin
 B: Cable Without S/R (線端無網尾)
 M: Male Connector (公座)
 M: Male Pin (公Pin)
 M: Molding Type (射出成型)

XX: 01~99Meters
 01: 01Meter
 02: 02Meters
 :
 99: 99Meters

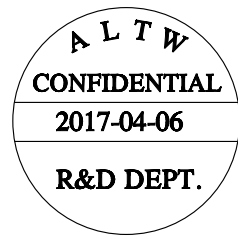
A: PVC UL2517 Cable, Black (PVC黃色外被線材)
 B: PUR UL20549 Cable, Yellow (PUR黑色外被線材)
 D: PVC UL2517 Cable, Black (PVC黑色外被線材)

8: IP68 (防水等級68)
 L: Straight (180°線端)
 S: Screw (螺紋式)



Pin Assignments
Front View

5	Gray	灰
4	Black	黑
3	Blue	藍
2	White	白
1	Brown	棕
Conn.	Wire Color	
	Pin Out	



UNIT:mm TOLERANCE ±0.5mm

TITLE MI2 B Type Cable Male Conn.			
SCALE 3:2	SIZE A4	SHEET 2 OF 2	
REV. B	WC-REV. A.2	QC: Inspection item	

Amphenol LTW
安費諾亮泰企業股份有限公司

ITEM NO	DRAWN BY Lingpeng	DATE 2017-04-06
DWG NO MI2B-05BMMM-SL8XXX	CHECKED BY Ma Fei	DATE 2017-04-06
CUSTOMER ALTW	APPROVED BY Jerry	DATE 2017-04-06