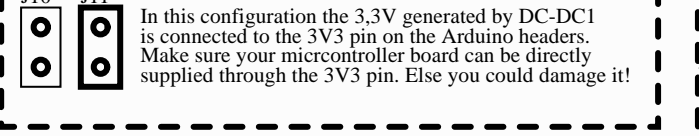
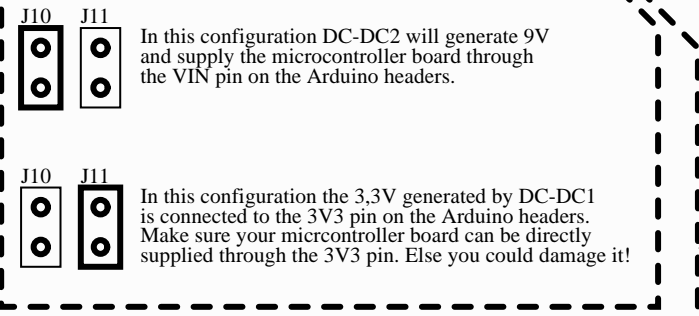
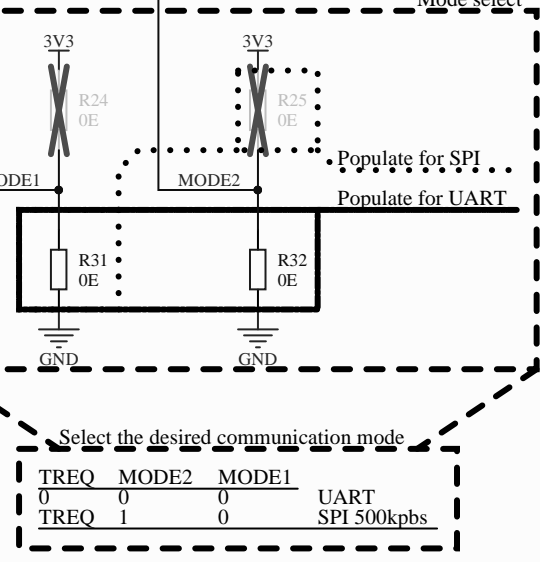
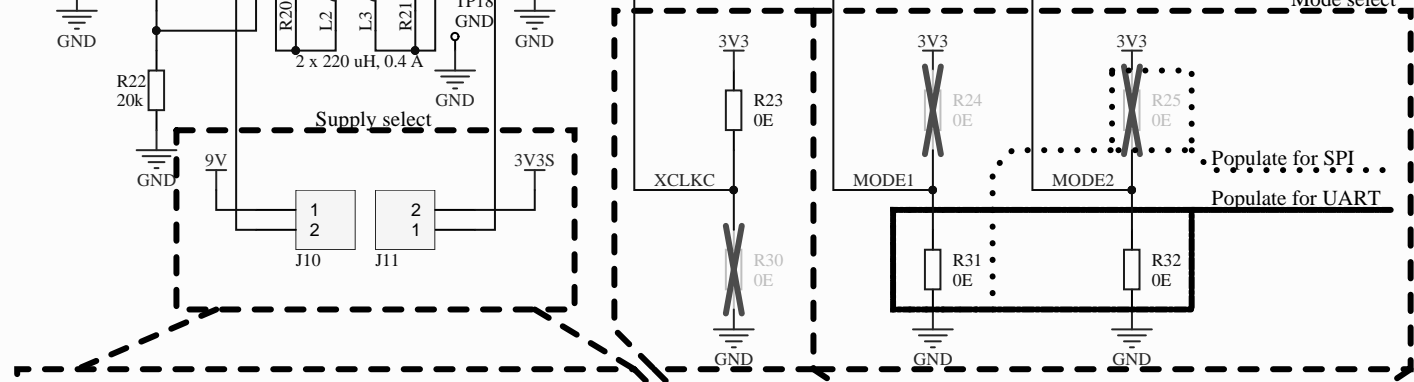
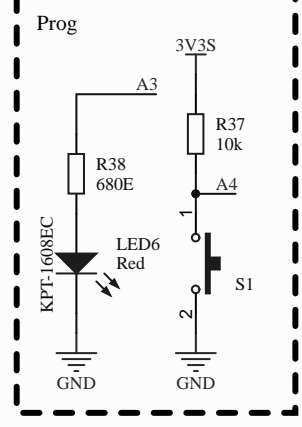
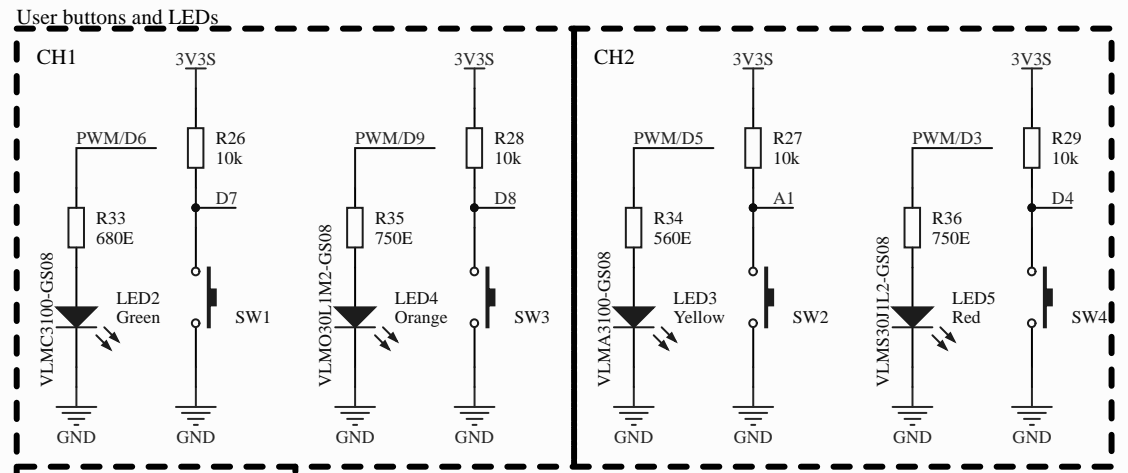
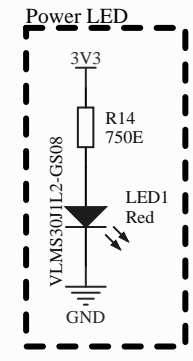
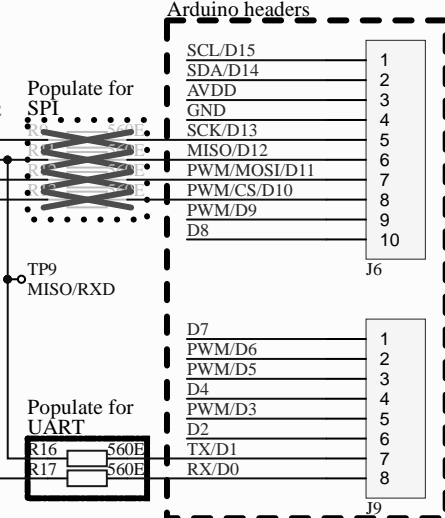
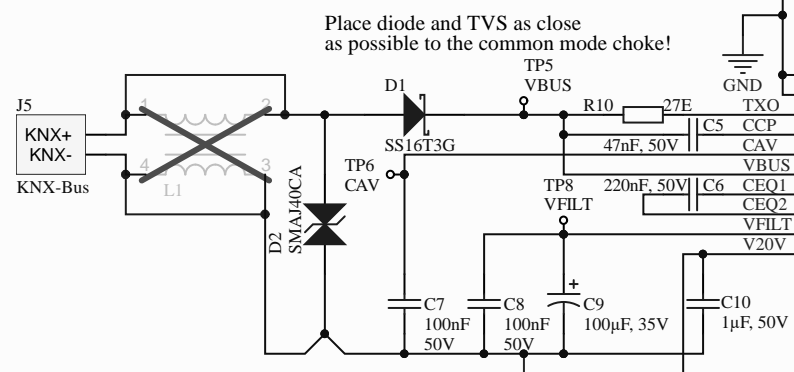
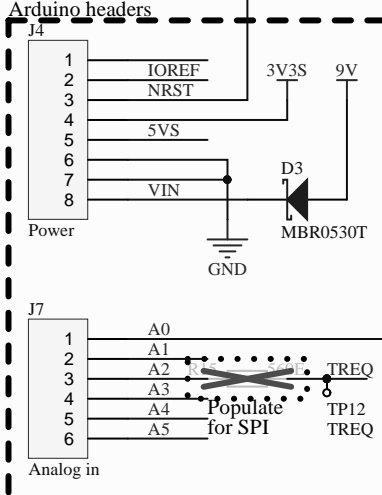


Use these to select the baud rate and parit bit in UART mode.

UC1	UC2	
0	0	9-bit, 19200bps
0	1	8-bit, 19200bps
1	0	9-bit, 38400bps
1	1	8-bit, 38400bps



**Select the desired communication mode**

TREQ	MODE2	MODE1	
0	0	0	UART
TREQ	1	0	SPI 500kpbs

