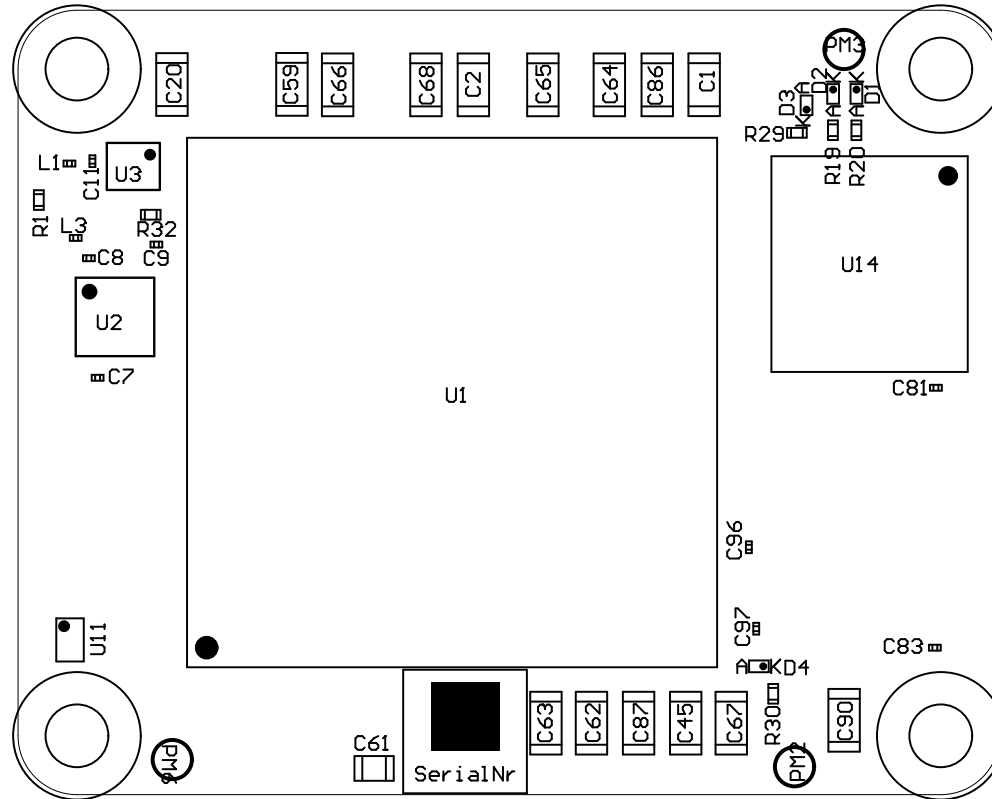


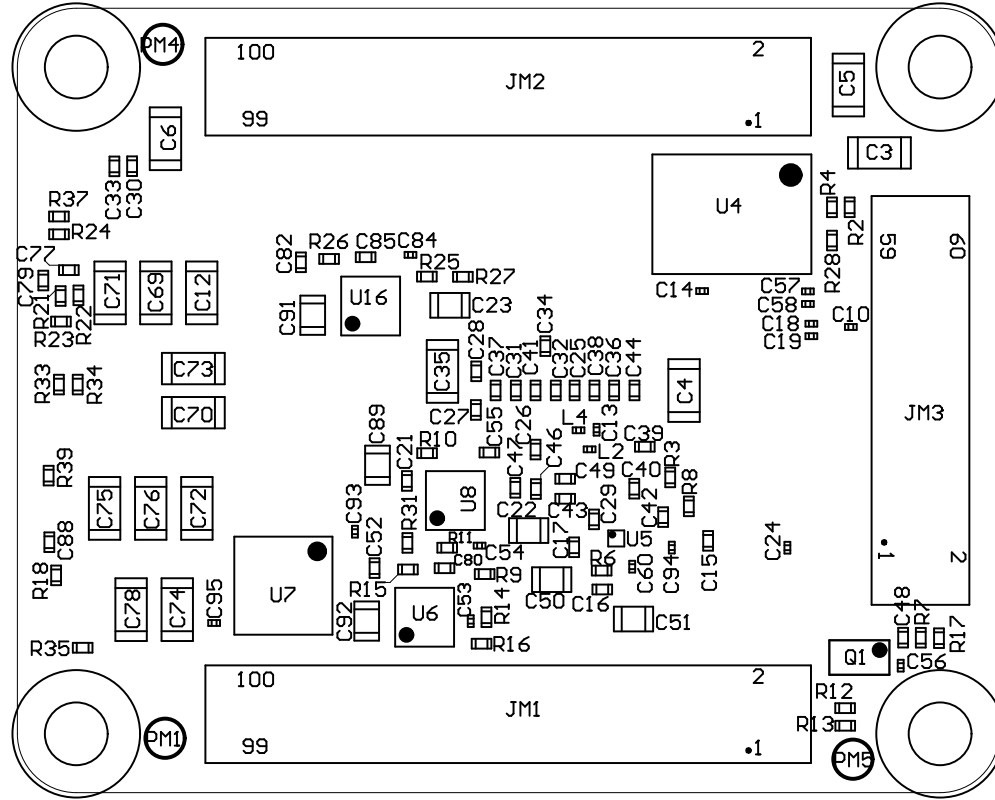
Variant name: TE0741-03-070-2CF

Top View



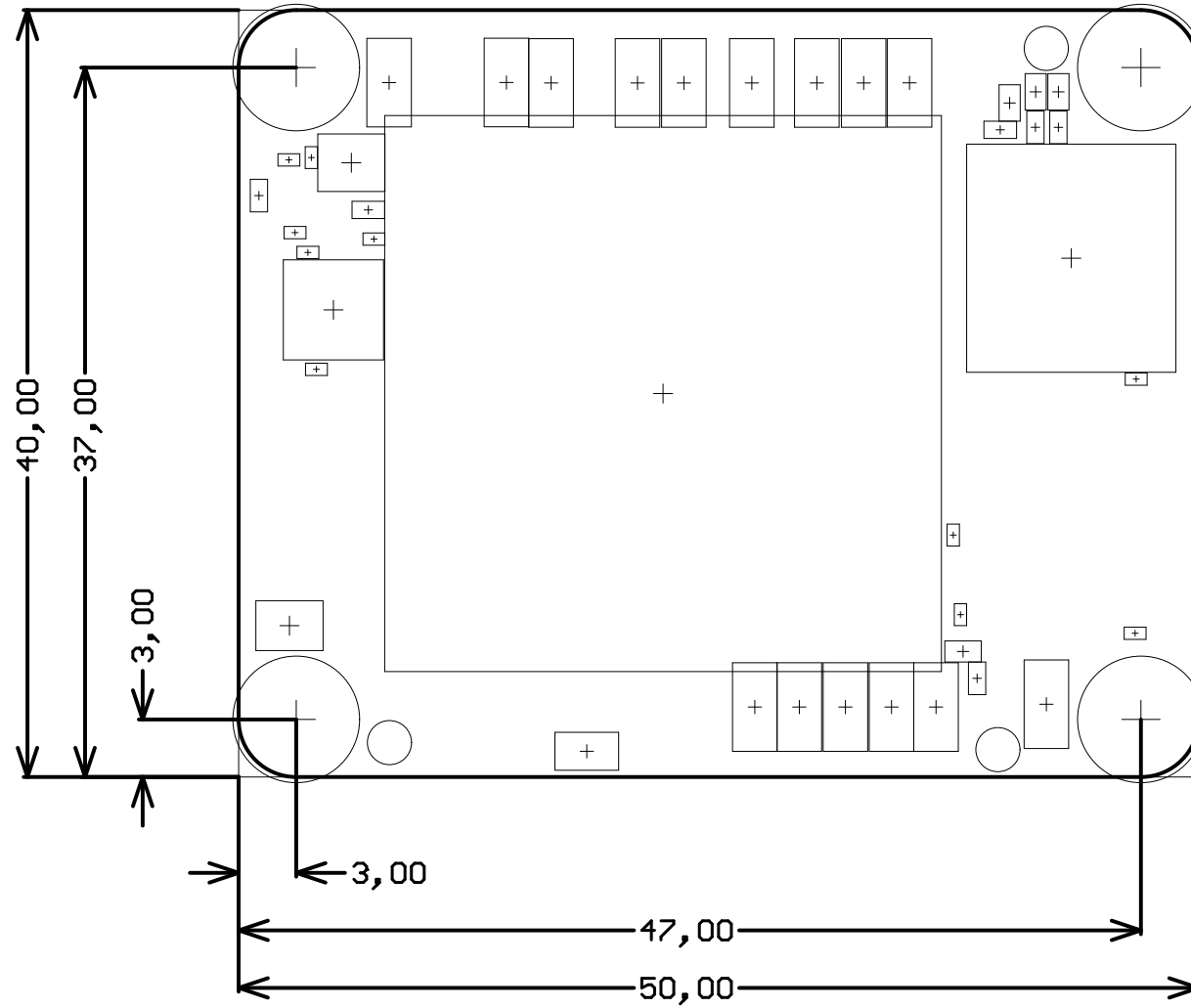
Variant name: TE0741-03-070-2CF

Bottom View



Top View

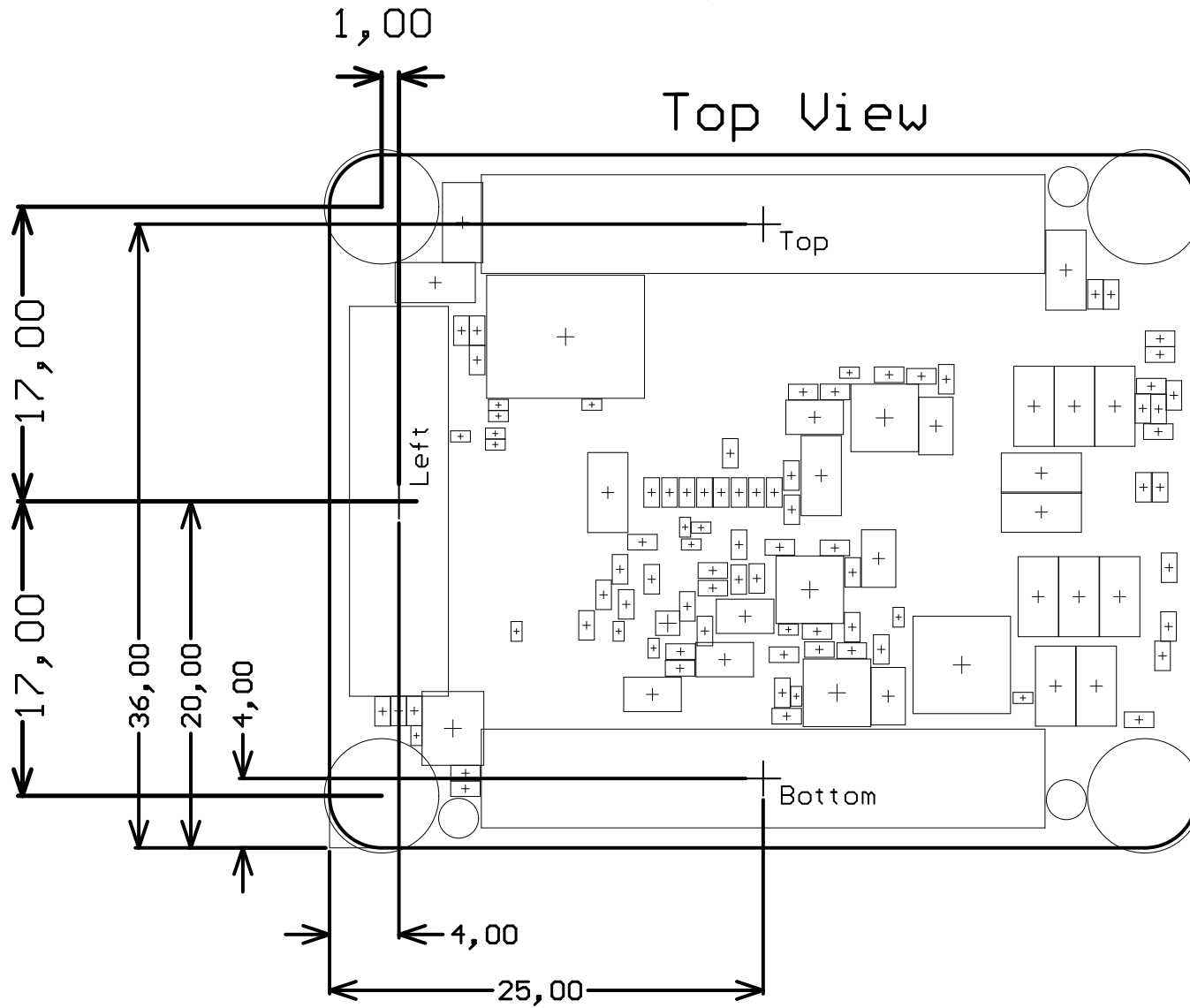
Top View



Mounting Holes

Top View

Top View



Samtec Connectors