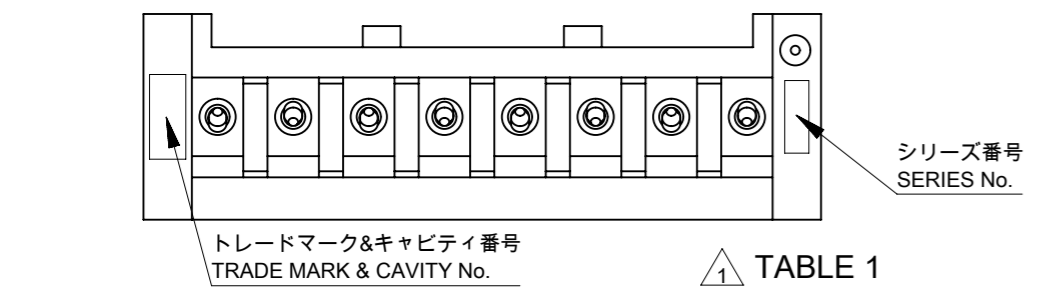
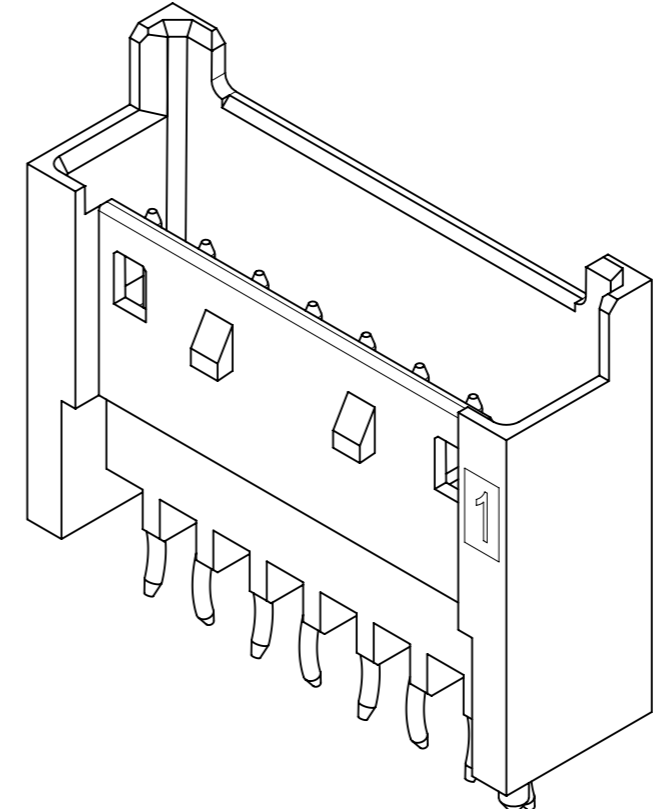


NOTES

- ① 材料及び仕上げ(めっき仕様) : TABLE 1参照
MATERIAL AND FINISHES : SEE TABLE 1
- 2. 製品仕様書 : 511630000-PS 000
PRODUCT SPECIFICATION:511630000-PS 000
- 3. 梱包仕様書 : 535179200-SPK 200
PACKAGING SPECIFICATION: 535179200-SPK 200
- 4. 嵌合相手 : 51163 シリーズ
MATES WITH:51163 SERIES
- 5. アプリケーション仕様書(コネクタ取扱い説明書) : 2166940000-AS PS 000
APPLICATION SPECIFICATION(CONNECTOR MANUAL) : 2166940000-AS PS 000
- ⑥ 偶数極に適用
APPLY FOR EVEN CIRCUIT
- 7. GLOW WIRE TEST適合品
THIS PRODUCT IS GLOW WIRE TEST COMPATIBLE.

			HOUSING COLOR	
			SEE SHEET 2	
38.2	35	39.9	5351715**	15
35.7	32.5	37.4	5351714**	14
33.2	30	34.9	5351713**	13
30.7	27.5	32.4	5351712**	12
28.2	25	29.9	5351711**	11
25.7	22.5	27.4	5351710**	10
23.2	20.0	24.9	5351709**	9
20.7	17.5	22.4	5351708**	8
18.2	15.0	19.9	5351707**	7
15.7	12.5	17.4	5351706**	6
13.2	10.0	14.9	5351705**	5
10.7	7.5	12.4	5351704**	4
8.2	5.0	9.9	5351703**	3
5.7	2.5	7.4	5351702**	2
C	B	A	発注番号 ORDER No. 梱包形態 : トレイ PACKAGE:TRAY	極数 CIRCUIT SIZE

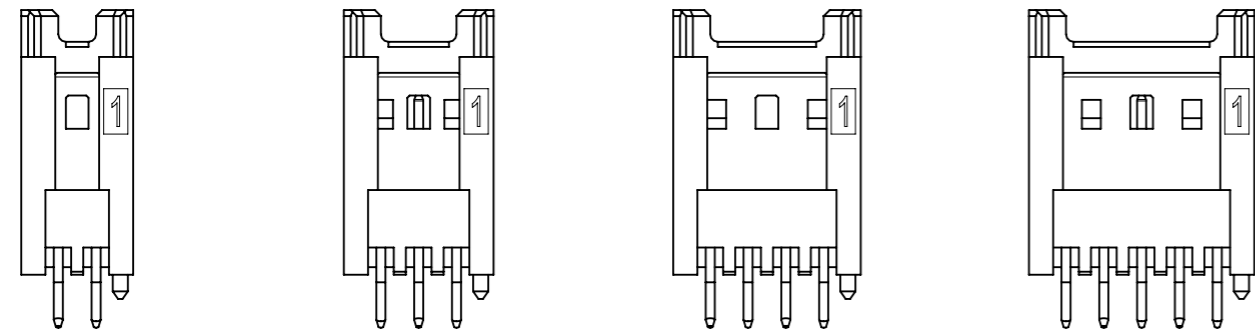


① TABLE 1

部品 PART	材料 MATERIAL
① プラグハウジング PLUG HOUSING	ポリアミド,ガラス含有,UL94V-0,色 : SEE SHEET 2 POLYAMIDE(PA),GLASS FILLED,UL94V-0,COLOR: SEE SHEET 2
② プラグピン PLUG PIN	りん青銅 PHOSPHOR BRONZE
	錫めっき : 1.0 MICROMETER MINIMUM MATTE TIN PLATING : 1.0 MICROMETER MINIMUM
	銅めっき(下地めっき) : 0.5 MICROMETERS MINIMUM COPPER PLATING(UNDER PLATING) : 0.5 MICROMETERS MINIMUM

THIS DRAWING CONTAINS INFORMATION THAT IS PROPRIETARY TO MOLEX ELECTRONIC TECHNOLOGIES, LLC AND SHOULD NOT BE USED WITHOUT WRITTEN PERMISSION

DIMENSION UNITS mm	SCALE NTS	CURRENT REV DESC:		molex		
GENERAL TOLERANCES (UNLESS SPECIFIED)		EC NO: 652870				
ANGULAR TOL ± 3.0 °	4 PLACES ±	DRWN: MIKEDA01	2023/03/27	PRODUCT CUSTOMER DRAWING		
3 PLACES ±	2 PLACES ± 0.2	CHK'D: SAKIYAMA	2023/05/15	DOCUMENT NUMBER		
2 PLACES ± 0.2	1 PLACE ± 0.2	APPR: AIDA	2023/05/15	DOC TYPE DOC PART REVISION		
1 PLACE ± 0.2	0 PLACES ± 0.2	INITIAL REVISION:		535170000-SD		
DRAFT WHERE APPLICABLE MUST REMAIN WITHIN DIMENSIONS		DRWN: RWATANABE01	2018/03/14	PSD 001 E		
THIRD ANGLE PROJECTION		APPR: TKANEKO	2018/09/10	SHEET NUMBER		
DRAWING A3-SIZE		SERIES 53517	MATERIAL NUMBER		CUSTOMER GENERAL	



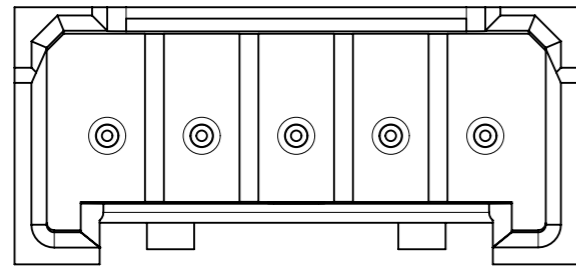
2CIRCUIT

3CIRCUIT

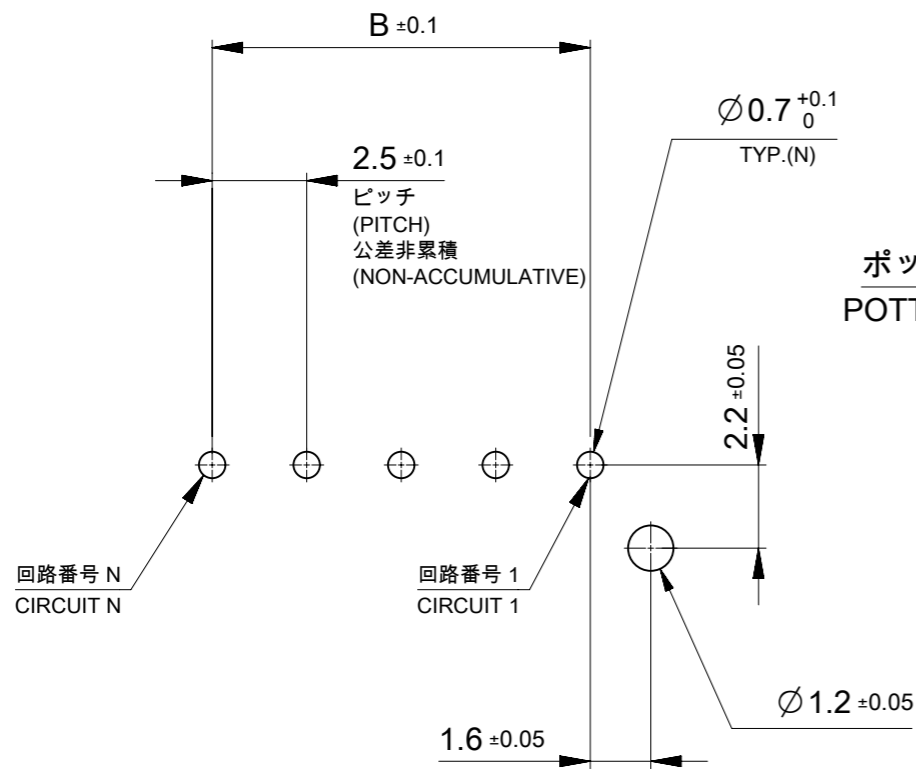
4CIRCUIT

5-15CIRCUIT

ロック形状図
LOCK CONFIGURATION

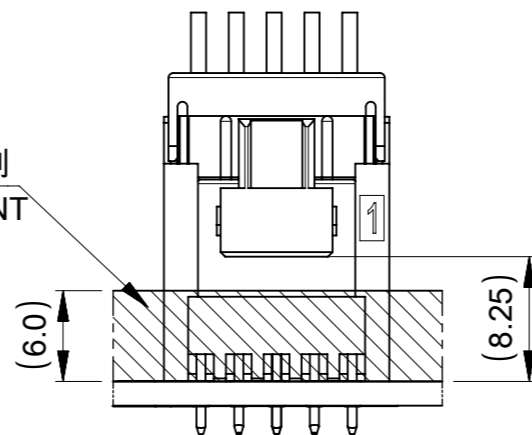


製品レイアウト
PRODUCT LAYOUT

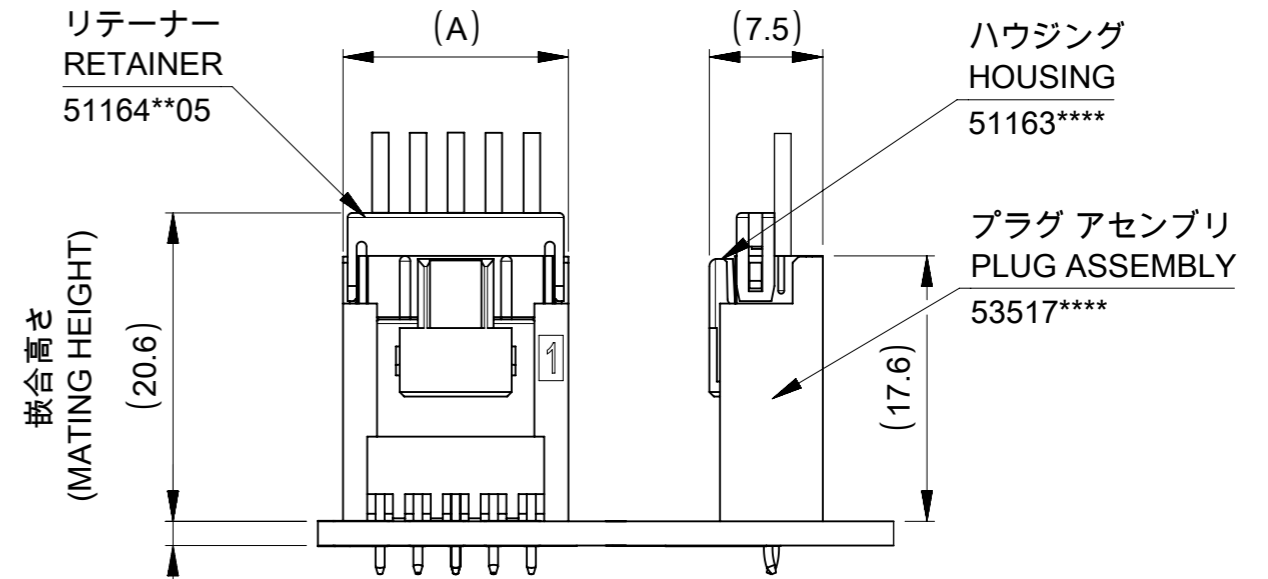


基板取付穴推奨寸法(マウント面)
RECOMMENDED PCB HOLE DIMENSION
(MOUNTING SIDE), (t=1.6)

ポッティング剤
POTTING AGENT



参考ポッティング高さ
POTTING HEIGHT (REFERENCE)



リテーナー
RETAINER
51164**05

ハウジング
HOUSING
51163****

プラグ アセンブリ
PLUG ASSEMBLY
53517****

嵌合状態図
MATED CONNECTORS

BLACK	NATURAL (WHITE)	HOUSING COLOR
535171541	535171530	15
535171441	535171430	14
535171341	535171330	13
535171241	535171230	12
535171141	535171130	11
535171041	535171030	10
535170941	535170930	9
535170841	535170830	8
535170741	535170730	7
535170641	535170630	6
535170541	535170530	5
535170441	535170430	4
535170341	535170330	3
535170241	535170230	2
発注番号 ORDER NO.		極数 CIRCUIT SIZE

THIS DRAWING CONTAINS INFORMATION THAT IS PROPRIETARY TO MOLEX ELECTRONIC TECHNOLOGIES, LLC AND SHOULD NOT BE USED WITHOUT WRITTEN PERMISSION

DIMENSION UNITS	SCALE	CURRENT REV DESC:	
mm	NTS		
GENERAL TOLERANCES (UNLESS SPECIFIED)			
ANGULAR TOL	± 3.0 °		
4 PLACES	±	EC NO: 652870	2023/03/27
3 PLACES	±	DRWN: MIKEDA01	2023/05/15
2 PLACES	± 0.2	CHK'D: SAKIYAMA	2023/05/15
1 PLACE	± 0.2	APPR: AIDA	2023/05/15
0 PLACES	± 0.2	INITIAL REVISION:	
DRAFT WHERE APPLICABLE MUST REMAIN WITHIN DIMENSIONS		DRWN: RWATANABE01	2018/03/14
THIRD ANGLE PROJECTION		APPR: TKANEKO	2018/09/10
DRAWING	SERIES	MATERIAL NUMBER	CUSTOMER
A3-SIZE	53517	535170000-SD	GENERAL
SHEET NUMBER		2 OF 2	