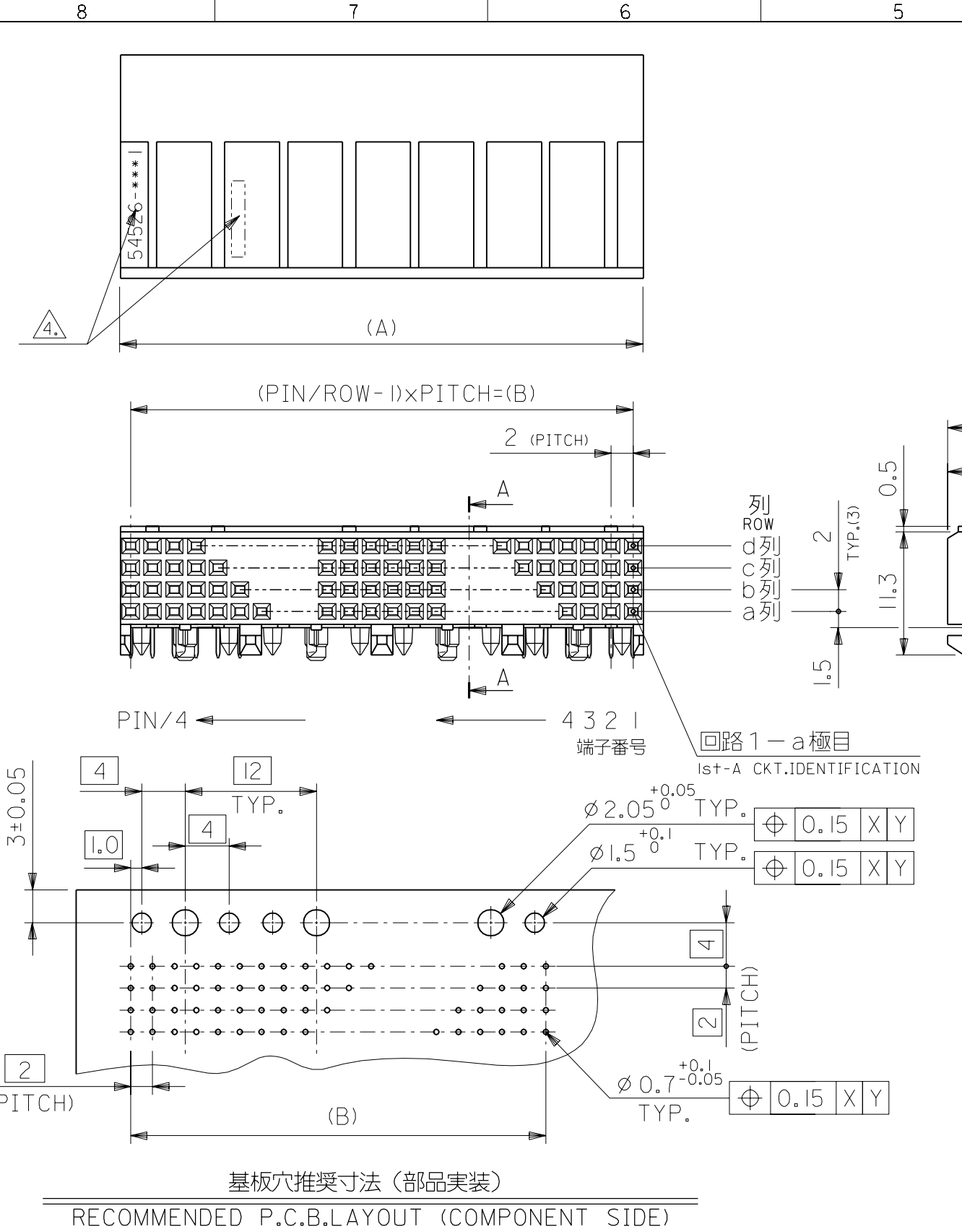
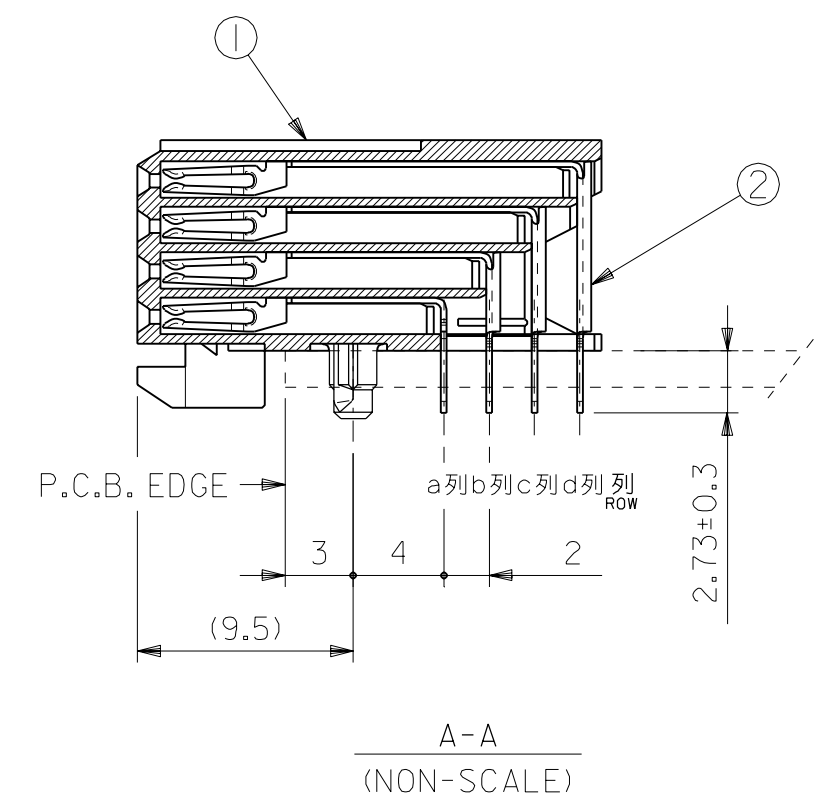


DWG. NO. SD-54526-001

DO NOT SCALE DRAWING



番号 No.	部品 PART NAME	材質 MATERIAL	仕上げ FINISH
①	リセプタクル ハウジング RECEPTACLE HOUSING	液晶ポリマー、ガラス充填、自然色(白)、UL94V-0 LCP, GLASS FILLED, NATURAL(WHITE), UL94V-0	—#—
②	リセプタクル ターミナル RECEPTACLE TERMINAL	リン青銅 PHOSPHOR BRONZE	△1.



- 注記
NOTE :
- △1. ターミナル めっき仕様
TERMINAL PLATING
 金めっき: 0.76 μm MIN. (接点部)
 GOLD: 0.76 μm MIN. (CONTACT AREA)
 半田めっき: 1.0 μm MIN. (半田付け部)
 TIN-LEAD: 1.0 μm MIN. (SOLDER AREA)
 ニッケルメッキ: 2.0 μm MIN. (下地めっき)
 NICKEL: 1.0 μm MIN. (UNDER PLATING)
 - 2. 推奨基板厚: t=1.6
RECOMMENDED P.C.B. THICKNESS: t=1.6
 - 3. 適合プラグ: 53901-***5, 55222-***5, 55089-***5
APPLICABLE PLUG: 53901-***5, 55222-***5, 55089-***5
 - △4. 製品番号及びロットナンバー
MATERIAL NO. & LOT NO.

94	95.98	54526-1921	192
58	59.98	54526-1201	120
46	47.98	54526-0961	96
22	23.98	54526-0481	48
10	11.98	54526-0241	24
B	A	MATERIAL NO.	PIN

基板穴推奨寸法 (部品実装)
RECOMMENDED P.C.B. LAYOUT (COMPONENT SIDE)

REV				MATERIAL 材料	GENERAL TOLERANCES: (UNLESS SPECIFIED) 一般公差	SCALE 2-1	DESIGN UNITS mm INCH	PROJECTION 2D 3D	TITLE: "MFB" B/B CONN. (FB+) REC. ASS'Y 4ROWS DIP	SHT REV
0										
8	DRWN: CH'K: APPR:	7	DRWN: CH'K: APPR:	6	DRWN: CH'K: APPR:	5	DRWN: CH'K: APPR:	4	DRWN: CH'K: APPR:	3
REV				INS. RANGE 被覆外径	ANGLE 角度	DRAWN BY & DATE CHECKED BY & DATE APPROVED BY & DATE		MATERIAL NO. DRAWING NO.		SHEET NO. SIZE
REV				WIRE RANGE 適用電線範囲	FINISH 仕上げ	CAD FILENAME 54526001.S01		MATERIAL NO. DRAWING NO.		SHEET NO. SIZE
REV						54526001.S01		SEE TABLE SD-54526-001		1 OF 1 B