

6

5

4

3

2

1

D

D

C

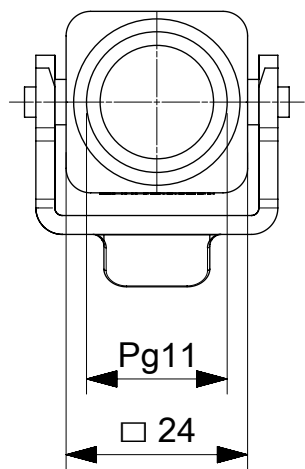
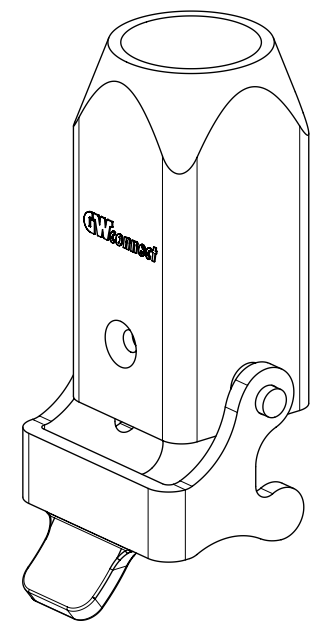
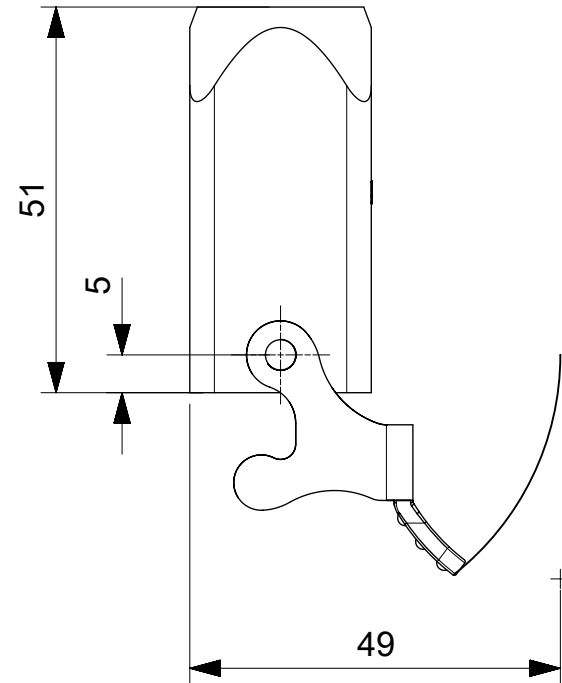
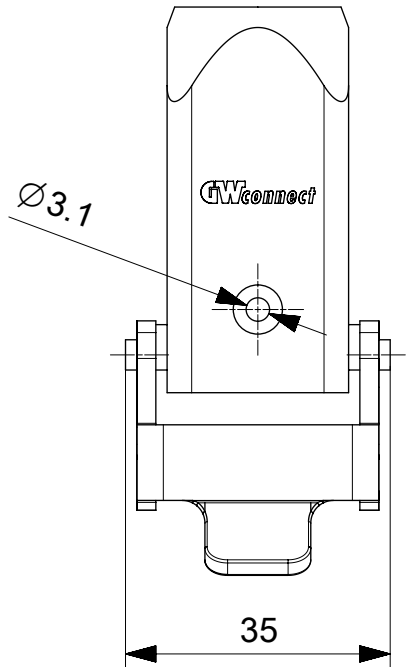
C

B

B

A

A



THIS DRAWING CONTAINS INFORMATION THAT IS PROPRIETARY TO MOLEX ELECTRONIC TECHNOLOGIES, LLC AND SHOULD NOT BE USED WITHOUT WRITTEN PERMISSION													
QUALITY SYMBOLS 	EC NO: 169837 DRWN: AKHEMIRI CHK'D: AKHEMIRI REV APPR: AMELZI	2017/12/20 2017/12/20 2017/12/20	GENERAL TOLERANCES (UNLESS SPECIFIED)		DIMENSION UNITS	SCALE							
			ANGULAR TOL ±		mm	1:1							
			4 PLACES ±	DRWN BY		DATE		7803.6211.1 3A STANDARD NYLON HOOD 1 LEVER TOP ENTRY PG11 BLACK					
			3 PLACES ±	AKHEMIRI		2017/11/10							
			2 PLACES ±	CHK'D BY		DATE		PRODUCT CUSTOMER DRAWING					
			1 PLACE ±	DMERONI		2017/11/13							
			0 PLACES ±	APPR BY		DATE		SERIES: 93601 MATERIAL NUMBER: 0936010643 CUSTOMER: GENERAL MARKET					
			DRAFT WHERE APPLICABLE MUST REMAIN WITHIN DIMENSIONS		AMELZI		2017/11/14						
					DRAWING SIZE	FIRST ANGLE PROJECTION		DOCUMENT NUMBER		DOC TYPE	DOC PART	SHEET NUMBER	
					A4			936010643		PSD	000	1 OF 1	