

PART NUMBER	ENG. PART NO.	FINISHED LENGTH	POLES	CABLE DIA.
1200650200	803006A09M020	6 FT 7 IN [2.0M]	3	.19
1200650418	804006A09M040	13 FT 1 IN [4.0M]	4	.20
1200650522	805006A09M010	3 FT 3 IN [1.0M]	5	.22
1200650533	805006A09M100	32 FT 10 IN [10.0M]	5	.22
1200659220	805006A09M300	98 FT 5 IN [30.0M]	5	.22

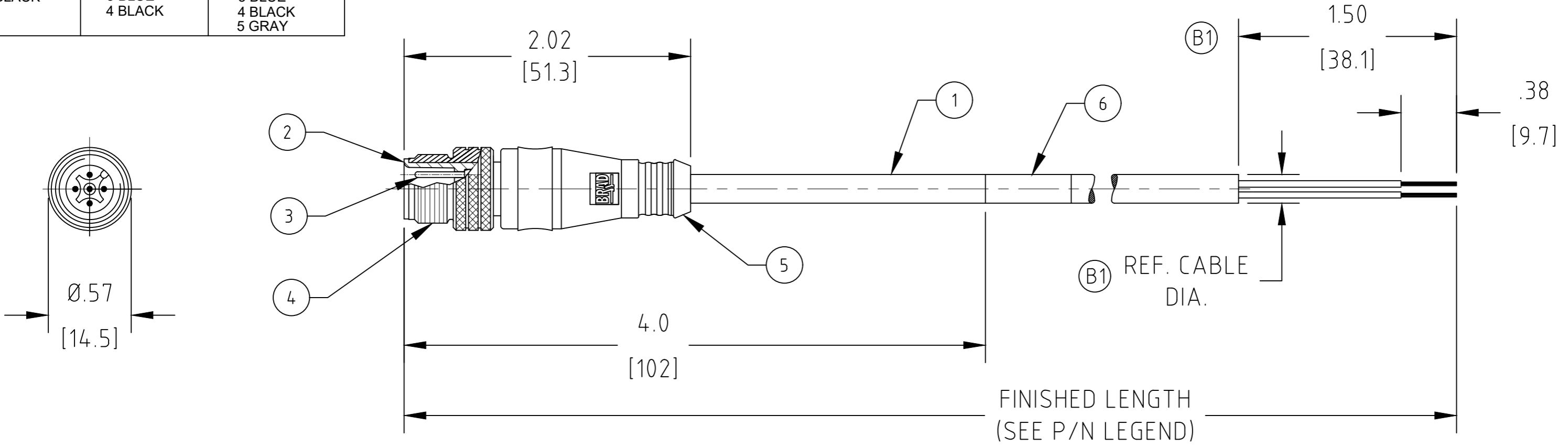
PART NO. LEGEND
803006A09M020

POLES
3,4,& 5

cable length
M005 = 0.5 Meters
M020 = 2 Meters
M100 = 10 Meters

CABLE LENGTH TOLERANCES

<.3M [1FT]:	+19mm-0 [+ .75in-0]
.3 - .9M [1 - 3FT]:	+44.5mm-0 [+1.75in-0]
.9 - 1.8M [3 - 6FT]:	+55.6mm-0 [+2.19in-0]
1.8 - 3.7M [6 - 12FT]:	+88.9mm-0 [+3.50in-0]
3.7 - 7.3M [12 - 24FT]:	+165.1mm-0 [+6.50in-0]
7.3-14.6M [24 - 48FT]:	+317.5mm-0 [+12.50in-0]
14.6 - 30.5M [48-100FT]:	+622.3mm-0 [+24.50in-0]
OVER 30M [100FT]:	+2% OF FINISHED LENGTH



- NOTES:**
1. MATERIAL: AS NOTED
 2. FINISH: AS NOTED
 3. ELECTRICAL:
VOLTAGE: 250V
CURRENT: 4A
 4. TEMP RATING: -25°C TO +105°C
 5. PROTECTION: IP67 (WHEN MATED)
 6. COUPLING THREAD: M12 X 1.0
 7. UL RECOGNIZED FILE: E152210
CSA CERTIFIED FILE: LR 6837
 8. ALL DIMS ARE FOR REFERENCE UNLESS TOLERANCED OR NOTED OTHERWISE

ITEM	DESCRIPTION	MATERIAL	FINISH
6	WRAP LABEL	VINYL	BLACK/YELLOW
5	OVERMOLD	PUR	YELLOW
4	COUPLING NUT	BRASS	NICKEL PLATED
3	CONTACT PIN	COPPER ALLOY	GOLD PLATED
2	INSERT, MALE, 5P	PUR	BLACK
1	CABLE, 22AWG	PVC JACKET	YELLOW

FUNCTIONAL SYMBOLS F/A=0 F/C=0 F/P=0	THIS DRAWING CONTAINS INFORMATION THAT IS PROPRIETARY TO MOLEX ELECTRONIC TECHNOLOGIES, LLC AND SHOULD NOT BE USED WITHOUT WRITTEN PERMISSION		CURRENT REV DESC: CHANGE CABLE STRIP TO 1.50 IN PER MFG DOC., ADD CABLE DIA.		molex	
	DIMENSION UNITS	SCALE				
	INCH/MM	1:1	3-5 POLE MA STR 22/AWG YELLOW PVC CABLE			
	GENERAL TOLERANCES (UNLESS SPECIFIED)		PRODUCT CUSTOMER DRAWING			
mm INCH		DOCUMENT NUMBER				
4 PLACES ±----	±----	SD-120065-028				
3 PLACES ±----	±----	DOC TYPE/DOC PART/REVISION				
2 PLACES ±----	±----	PSD 001 B1				
1 PLACE ±----	±----	SHEET NUMBER				
0 PLACES ±----	±----	1 OF 1				
ANGULAR TOL ± ---- °		DRAWING				
DRAFT WHERE APPLICABLE MUST REMAIN WITHIN DIMENSIONS		B-SIZE				
THIRD ANGLE PROJECTION		SERIES				
DRAWING		120065				
MATERIAL NUMBER		SEE P/N LEGEND				
CUSTOMER		GENERAL MARKET				