

TABLE 1: PART LIST

ITEM	QTY	DESCRIPTION	MATERIAL	FINISH
1	1	CABLE 2x0.75 +4x0.34 TPU BK D7.2 TPE UNS	TPU	BLACK
2	1	OVERMOLD	PUR	BLACK
3	1	INSERT	PBT	BLACK
4	14	SOCKET CONTACT	COPPER ALLOY	GOLD
5	1	COUPLER	BRASS	PLATING WHITE BRONZE

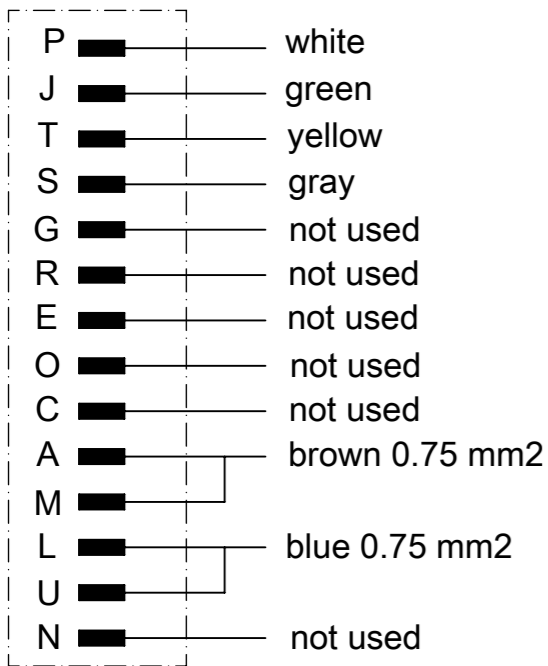
TABLE 2: FINISHED PRODUCTS

OLD MAT-NO.	MATERIAL	DESCRIPTION	LENGTH CABLE [L] (WITH TOLERANCES)	GEOMETRY
L04300B78M050	1300238007	M16 ST CON FOR M8 NANO BOX 5M - 4port	5m +60 mm	STR
L04300B78M100	1300238008	M16 ST CON FOR M8 NANO BOX 10M - 4port	10m +80 mm	STR
L04300B78M150	1300238009	M16 ST CON FOR M8 NANO BOX 15M - 4port	15m +140 mm	STR
L04301B78M050	1300238010	M16 90° CON FOR M8 NANO BOX 5M - 4port	5m +60 mm	RA
L04301B78M100	1300238011	M16 90° CON FOR M8 NANO BOX 10M - 4port	10m +80 mm	RA
L04301B78M150	1300238012	M16 90° CON FOR M8 NANO BOX 15M - 4port	15m +140 mm	RA

TABLE 3: CABLE SPEC

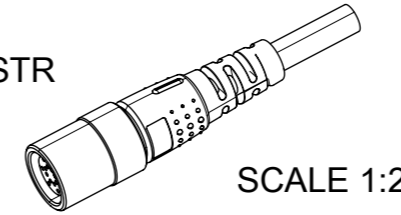
CABLE TYPE	CABLE JACKET	UL	CSA	Temperature range (static) (Bending radius up to 7.5xD)	Temperature range (flexing) (Bending radius up to 12.5xD)	drag chain tested	other
B78-6	TPU black	STYLE 21215	yes	-40°C to +90°C	-25°C to +80°C	5 Mio cycles	WELD SLAG RESISTANCE

WIRING SCHEMATIC:



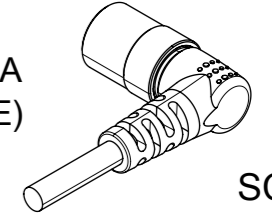
1. MATERIALS : SEE TABLE 1
2. FINISHES: SEE TABLE 1
3. ELECTRICAL DATA:
MAX. VOLTAGE RATING 60 VAC
MAX. CURRENT 3 AMPS
4. ENVIRONMENTAL: PROTECTION IP67
TEMPERATURE RANGE -30°C TO +80°C
5. ASSEMBLY IS RoHS COMPLIANT

GEOMETRY STR
(STRAIGHT)

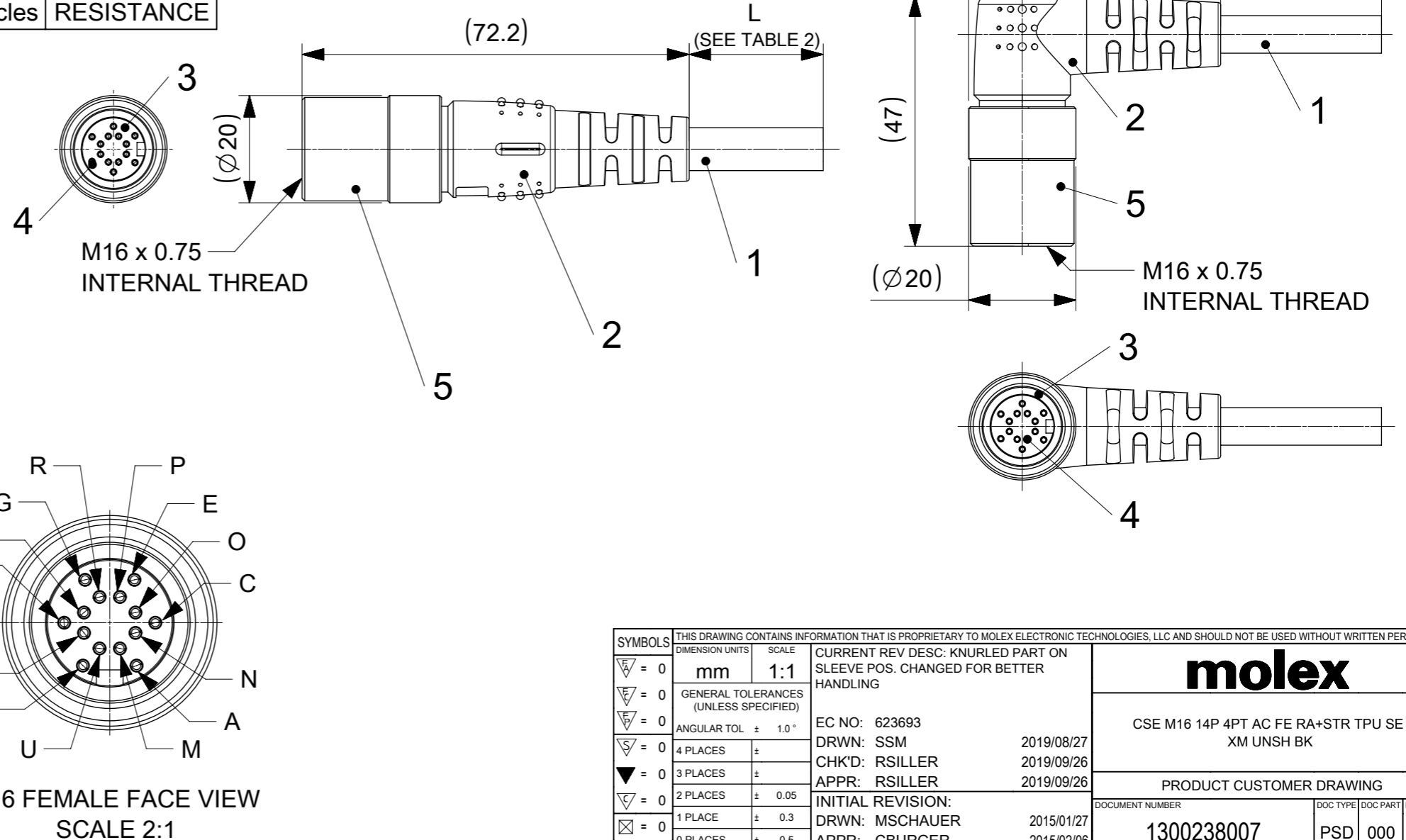


SCALE 1:2

GEOMETRY RA
(RIGHT ANGLE)



SCALE 1:2



SYMBOLS	THIS DRAWING CONTAINS INFORMATION THAT IS PROPRIETARY TO MOLEX ELECTRONIC TECHNOLOGIES, LLC AND SHOULD NOT BE USED WITHOUT WRITTEN PERMISSION				
	CURRENT REV DESC: KNURLED PART ON SLEEVE POS. CHANGED FOR BETTER HANDLING				CSE M16 14P 4PT AC FE RA+STR TPU SE XM UNSH BK
	GENERAL TOLERANCES (UNLESS SPECIFIED)	EC NO: 623693	PRODUCT CUSTOMER DRAWING		
	ANGULAR TOL ± 1.0°	DRWN: SSM 2019/08/27	DOCUMENT NUMBER	DOC TYPE	DOC PART
4 PLACES ±	CHK'D: RSILLER 2019/09/26	1300238007	PSD	000	B
3 PLACES ±	APPR: RSILLER 2019/09/26	INITIAL REVISION:			
2 PLACES ± 0.05	DRWN: MSCHAUER 2015/01/27		SEE TABLE 2		
1 PLACE ± 0.3	APPR: CBURGER 2015/02/06		GENERAL MARKET		
0 PLACES ± 0.5	DRAFT WHERE APPLICABLE MUST REMAIN WITHIN DIMENSIONS		SHEET NUMBER		
THIRD ANGLE PROJECTION	DRAWING	SERIES	MATERIAL NUMBER	CUSTOMER	
	A3-SIZE	130023	SEE TABLE 2	1 OF 1	