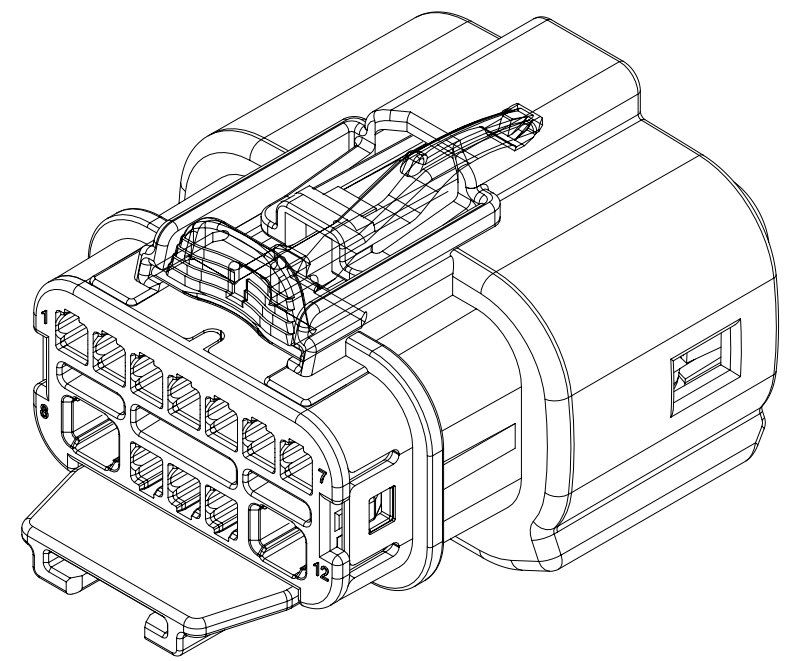
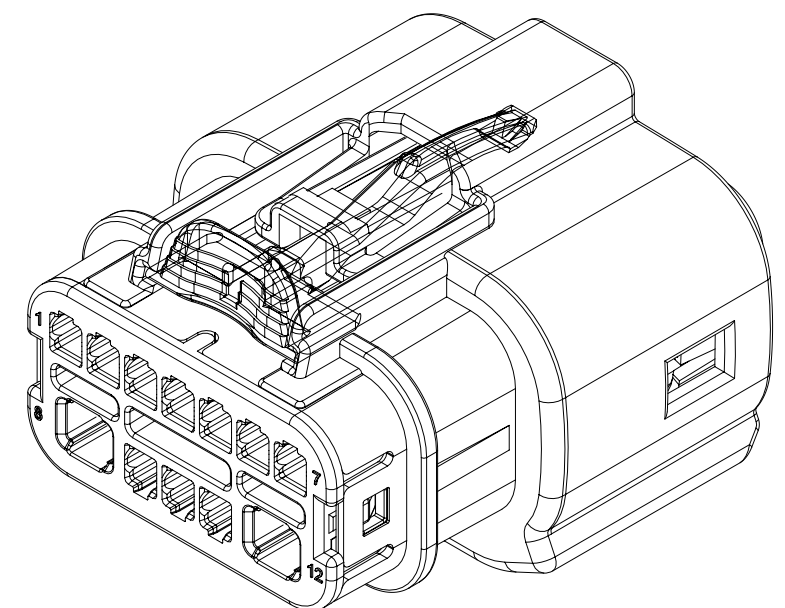


TABLE OF CONTENTS	
SHEET NO.	SHEET DESCRIPTION
1	NOTES
2	CONFIGURATIONS
3	KEY CONFIGURATIONS
4	RECEPTACLE CONNECTOR ASSEMBLY
5	12W HYBRID CONNECTOR BOM
6	12W HYBRID CONNECTOR BOM
7	12W HYBRID INTERFACE DEFINITION

DESCRIPTION	PACKAGING DRAWING NO.	MATING INTERFACE/CONNECTOR DRAWINGS	
		INTERFACE DEFINITION	MOLEX INLINE
12W HYBRID	RPK-160110900	SEE PAGE 6	E-1601120000



12W HYBRID W/ EXTENDED CLIPSLLOT



12W HYBRID NON-CLIPSLLOT

NOTES: VALID UNLESS OTHERWISE SPECIFIED

1. GENERAL:

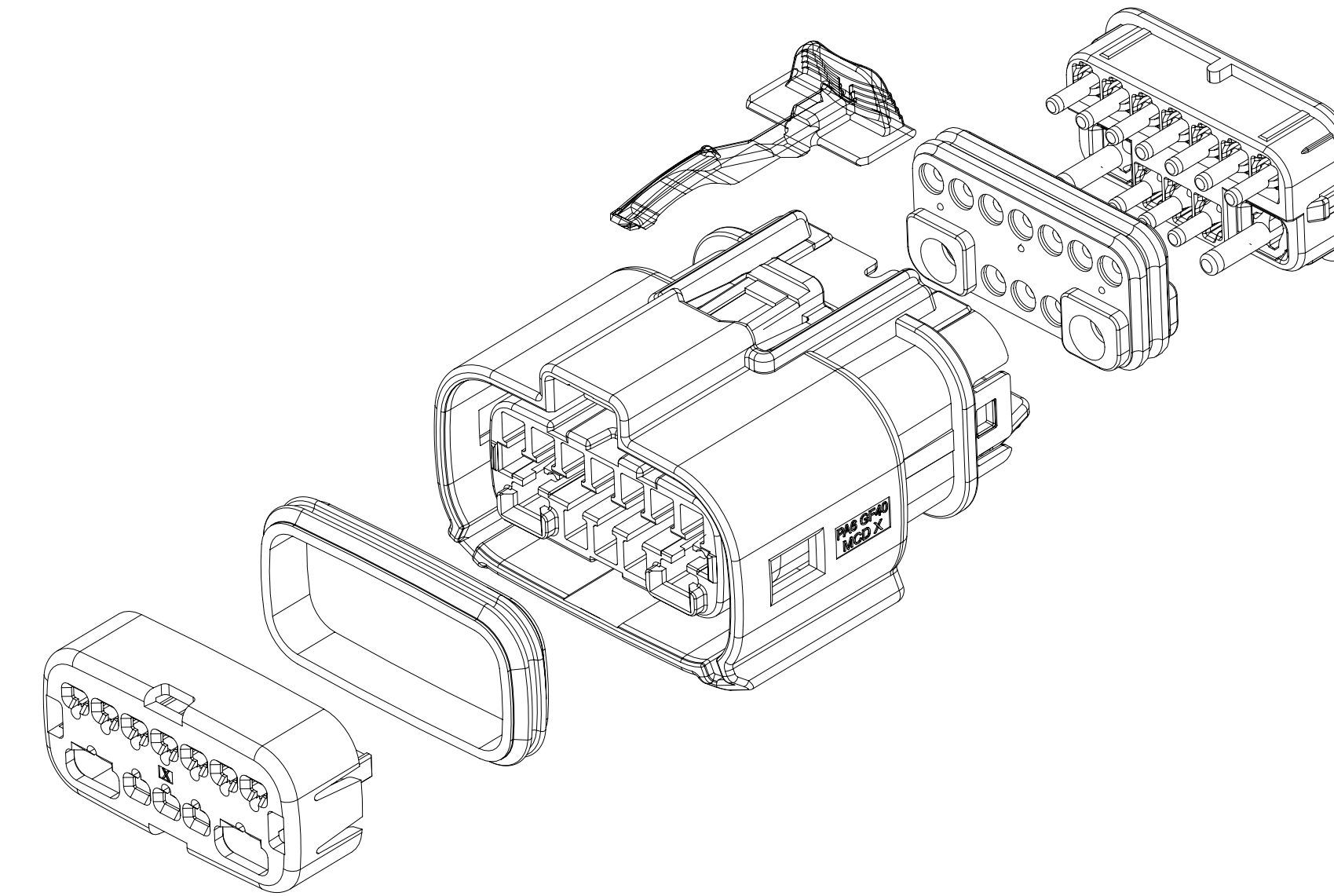
- 1.1 APPLICATION SPECIFICATION SEE: 1601110001-AS
 - CONTAINS: PRODUCT INTRODUCTION, PRODUCT SUMMARY, CONNECTOR ASSEMBLY, PACKAGING INFORMATION, CONNECTOR MATING, SERVICE INSTRUCTIONS, ELECTRICAL CONTINUITY CHECKING, CRIMPING, AND TROUBLE SHOOTING.
 - DESIGNED TO MATE WITH DEVICE OR CONNECTOR AS SPECIFIED IN THE MATING INTERFACE/CONNECTOR DRAWINGS CHART.
 - *DENOTES DRAWINGS THAT CAN BE ACCESSED AT [http://ewcap.uscarteams.org/]
 - ASSEMBLY SHIPPED WITH THE FOLLOWING PARTS IN PRE-LOCK POSITION (PLR, CPA, ISL, LEVEL. SEE PRE-LOCK VIEW ON PAGE 4).
- 1.2 PRODUCT SPECIFICATION SEE: 1601110001-PS
 - CONTAINS: SCOPE, PRODUCT DESCRIPTION, INTEGRAL COMPONENTS AND ACCESSORIES, APPLICABLE DOCUMENTS AND SPECIFICATIONS, RATINGS, PERFORMANCE, PACKAGING, GAUGES AND FIXTURES, AND OTHER INFORMATION.
- 1.3 PACKAGING SPECIFICATION PER MOLEX DRAWING: SEE PACKAGING CHART
- 1.4 PARTS MUST BE IN COMPLIANCE TO MOLEX CHEMICAL SUBSTANCES FOR PRODUCTS AND PACKAGING SPECIFICATION: QEHS-699000-300
- 1.5 DATA MUST BE SUBMITTED UNDER THE MOLEX PART NUMBER TO IMDS (COMPANY ID#13255)

2. DESIGN - MATERIALS:

- 2.1 SEE BOM TABLE

3. DESIGN - GEOMETRY:

- 3.1 THE 3-D CAD DATA IS BASIC (WITHOUT TOLERANCE) AND MUST BE TAKEN FROM THE DATA FILE AT ITS LATEST REVISION.
 - 3.2 THE 3-D CAD DATA IS MASTER FOR THIS PART AND IS TO BE USED TO ESTABLISH DIMENSIONAL INFORMATION NOT SHOWN ON THIS DRAWING. ANY DIMENSIONS UNDERLINED INDICATE A CONFLICT WITH THE MODEL.
 - 3.3 PRODUCT DESIGN MODEL NUMBER(S): SEE BOM TABLE
 - 3.4 GEOMETRIC DIMENSIONS AND TOLERANCES PER ASME Y14.5M-2009
 - 3.5 EDGES OF UNDEFINED SHAPE PER ISO 13715
 - 3.6 CORNERS SHOWN AS SHARP TO BE R 0.2 MAX
 - 3.7 LETTERING SHALL BE 0.15 MAX RAISED IN 0.25 MAX RECESS PAD. THIS INCLUDES RECYCLING CODE, CAVITY ID, VENDOR IDENTIFICATION, AND CUSTOMER MATERIAL NUMBER.
 - 3.8 VISUAL DEFECTS SHALL MEET COSMETIC STANDARD PS-45499-002 (CLASS B).
 - 3.9 LASER MARKING
 - 1. PART NUMBER
 - 2. DAY OF THE YEAR
 - 3. SHIFT
 - 4. YEAR
- FOR ADDITIONAL INFORMATION SEE SECTION 5 UNDER PROCEDURES IN ES-34735-008.



D4	ADD 160111-6062 AND 160111-6063
D3	ADD 160111-6061
D2	ADD 160111-6059 AND 6060
D1	ADD 160111-6054 THRU 6058
D	ADD 160111-6050 THRU 6053
C2	UPDATED NOTES
C1	CHANGE DOCUMENT TYPE FROM RSD TO SD
C	ADD 160111-6046 THRU 6049
B	UPDATED INFORMATION TO PRODUCTION LEVEL
A2	ADDED NEW PART NO. 160111-6039 160111-6040 160111-6041 160111-6042 160111-6043 160111-6044 160111-6045
A1	ADDED NEW PART NO. 160111-6021 160111-6022 160111-6023 160111-6024 160111-6025 160111-6026 160111-6027 160111-6028 160111-6029 160111-6030 160111-6031 160111-6032 160111-6033 160111-6034 160111-6035 160111-6036 160111-6037 160111-6038
A	INITIAL RELEASE

INSPECTION NUMBER LOG	
LAST NUMBER: 7	REV DESCRIPTION
REV	REV DESCRIPTION

THIS DRAWING CONTAINS INFORMATION THAT IS PROPRIETARY TO MOLEX ELECTRONIC TECHNOLOGIES, LLC AND SHOULD NOT BE USED WITHOUT WRITTEN PERMISSION

DIMENSION UNITS	SCALE	CURRENT REV DESC: SEE REVISION TABLE	
mm	2:1		
GENERAL TOLERANCES (UNLESS SPECIFIED)			
ANGULAR TOL	± °		
4 PLACES	±	EC NO: 674870	
3 PLACES	±	DRWN: SCV	2021/08/23
2 PLACES	±	CHK'D: GGA	2021/08/27
1 PLACE	±	APPR: GGA	2021/08/27
0 PLACES	±	INITIAL REVISION:	
DRAFT WHERE APPLICABLE MUST REMAIN WITHIN DIMENSIONS		DRWN: ADING03	2017/01/16
THIRD ANGLE PROJECTION		APPR: KDEKOSKI	2017/01/17
DRAWING		SERIES	MATERIAL NUMBER
D-SIZE		160111	CHARTED
SHEET NUMBER		1 OF 7	

molex

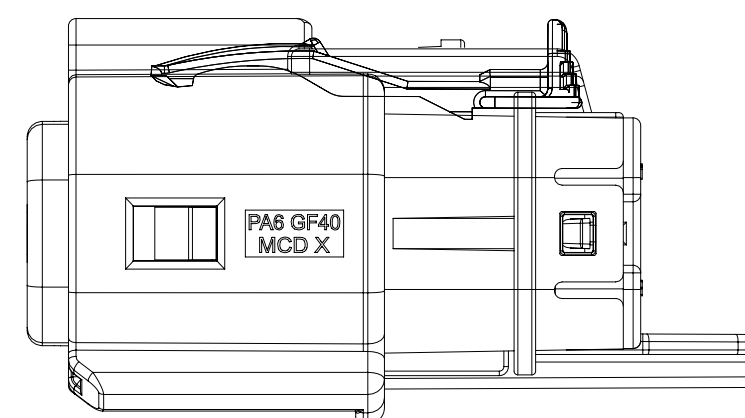
MX150 HYBRID MAT SEAL RCPT CONN ASM

PRODUCT CUSTOMER DRAWING

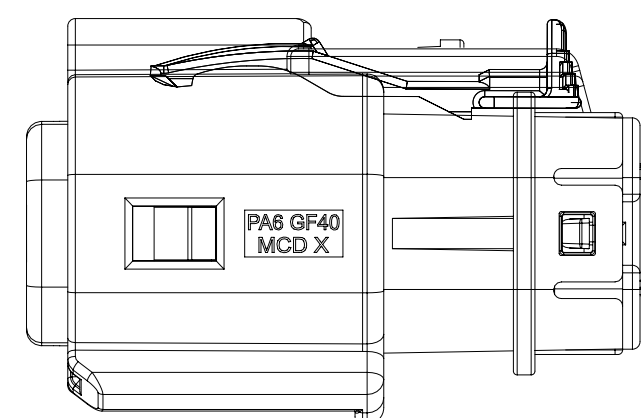
DOCUMENT NUMBER	DOC TYPE	DOC PART	REVISION
1601110000	PSD	000	D4

SHEET DESCRIPTION

CONFIGURATIONS



12W HYBRID W/ EXTENED CLIPSLOT



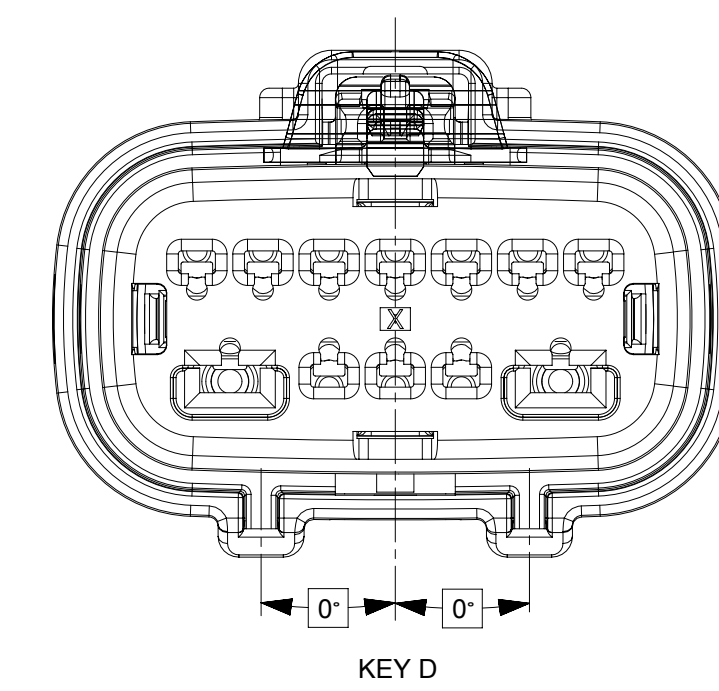
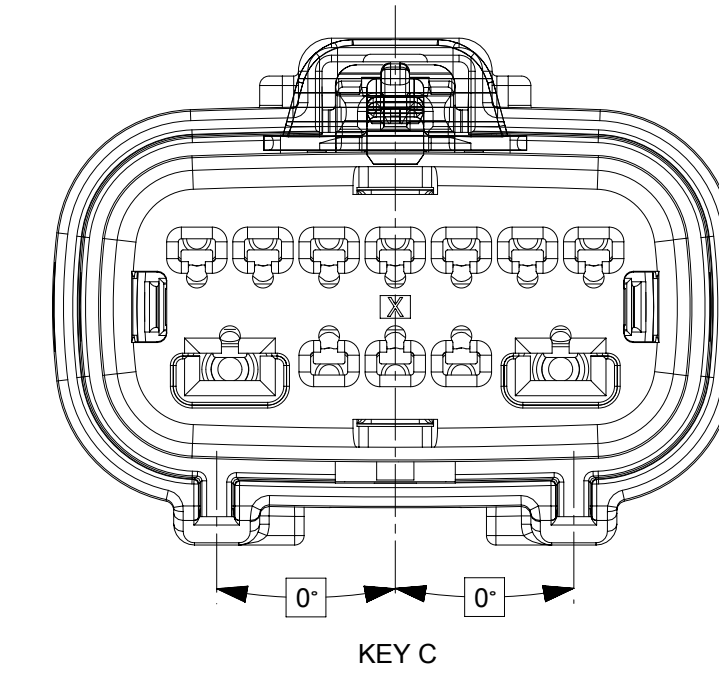
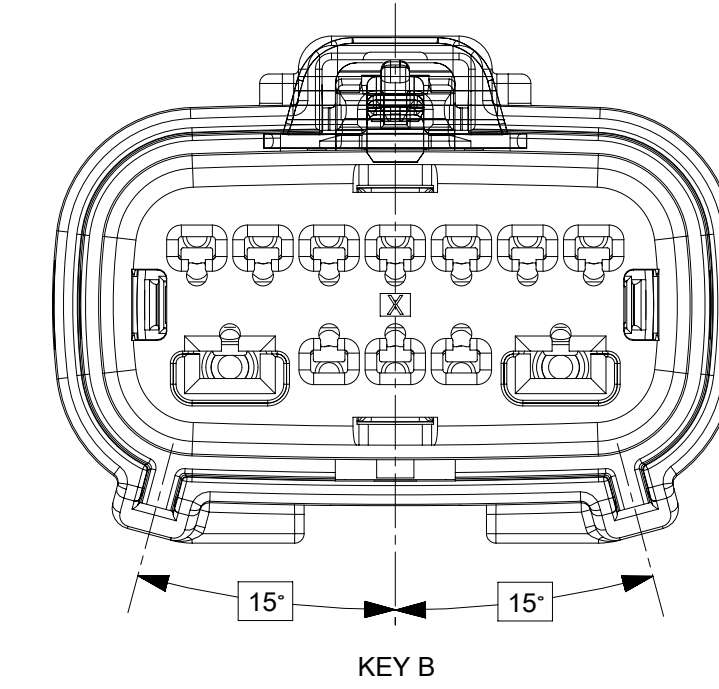
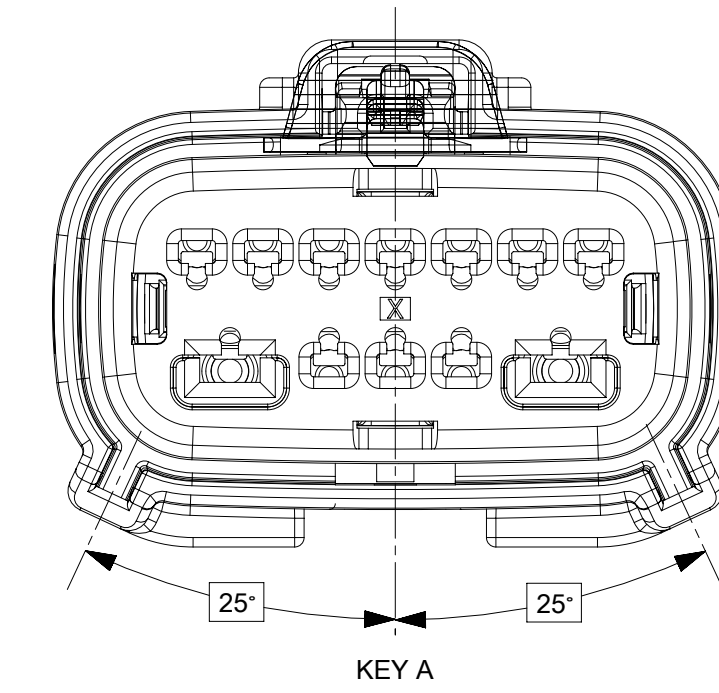
12W HYBRID NON-CLIPSLOT

THIS DRAWING CONTAINS INFORMATION THAT IS PROPRIETARY TO MOLEX ELECTRONIC TECHNOLOGIES, LLC AND SHOULD NOT BE USED WITHOUT WRITTEN PERMISSION															
DIMENSION UNITS		SCALE		CURRENT REV DESC: SEE REVISION TABLE											
mm		2:1													
GENERAL TOLERANCES (UNLESS SPECIFIED)				EC NO: 674870 DRWN: SCV 2021/08/23 CHK'D: GGA 2021/08/27 APPR: GGA 2021/08/27 INITIAL REVISION: DRWN: ADING03 2017/01/16 APPR: KDEKOSKI 2017/01/17											
ANGULAR TOL ± °															
4 PLACES ±															
3 PLACES ±															
2 PLACES ±															
1 PLACE ±				DOCUMENT NUMBER		DOC TYPE		DOC PART		REVISION					
0 PLACES ±				1601110000		PSD		000		D4					
DRAFT WHERE APPLICABLE MUST REMAIN WITHIN DIMENSIONS				THIRD ANGLE PROJECTION		DRAWING		SERIES		MATERIAL NUMBER		CUSTOMER		SHEET NUMBER	
						D-SIZE		160111		CHARTED				2 OF 7	

SEE NOTES

SHEET DESCRIPTION
KEY CONFIGURATIONS

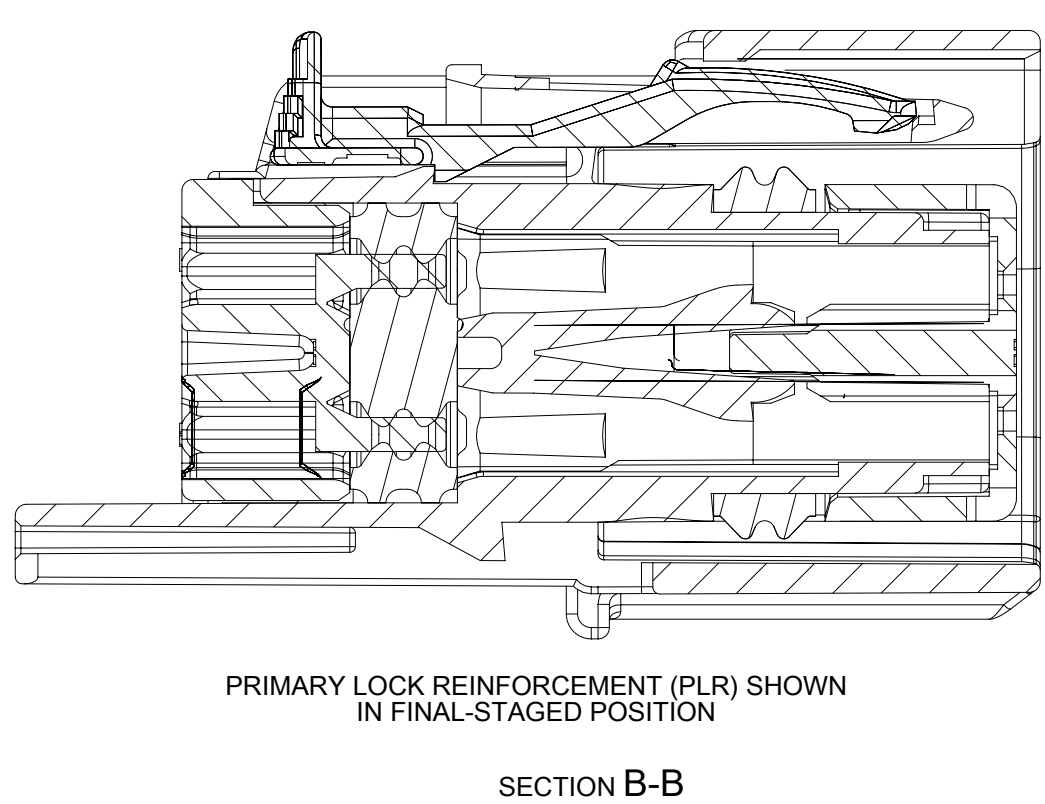
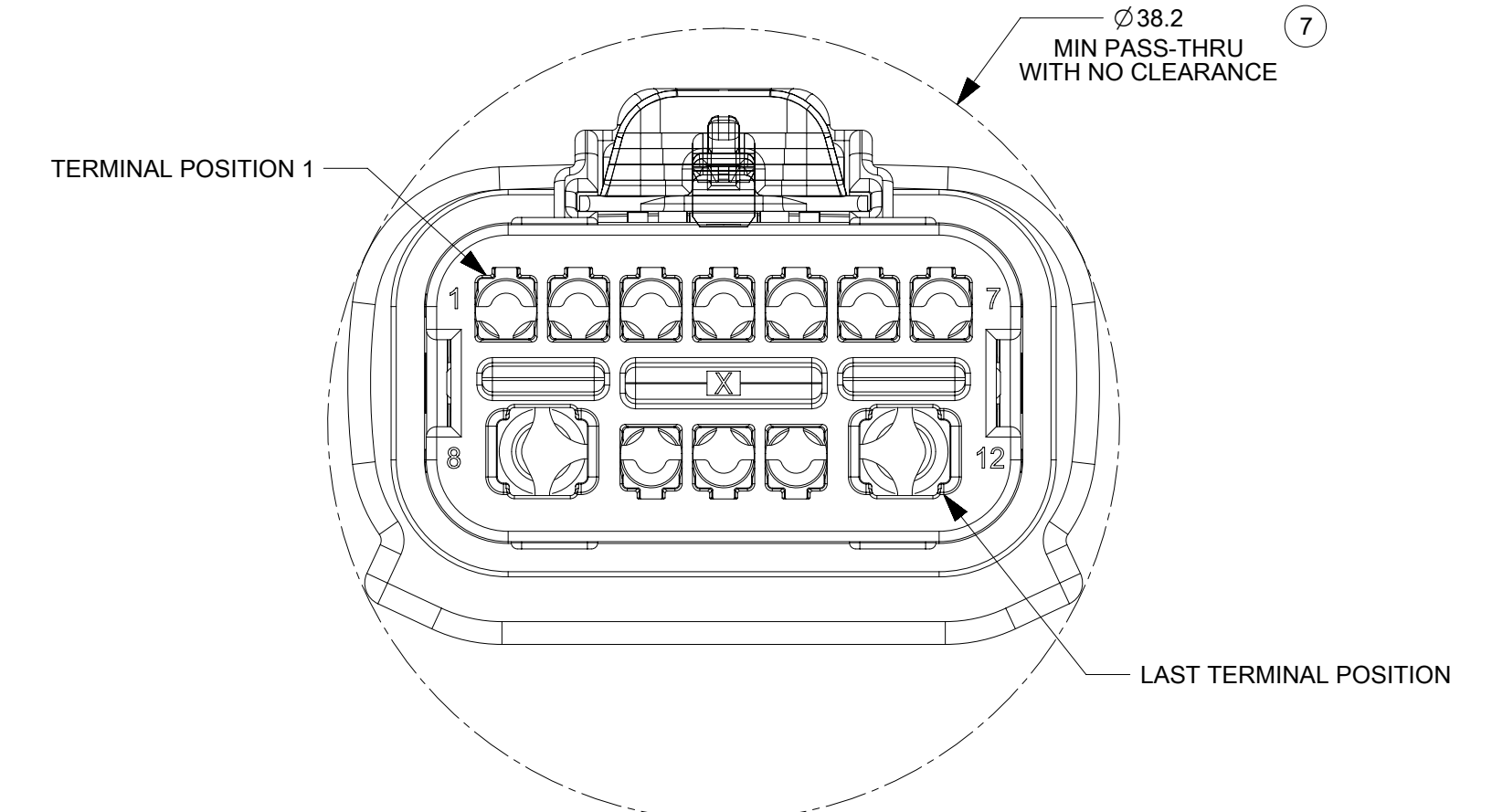
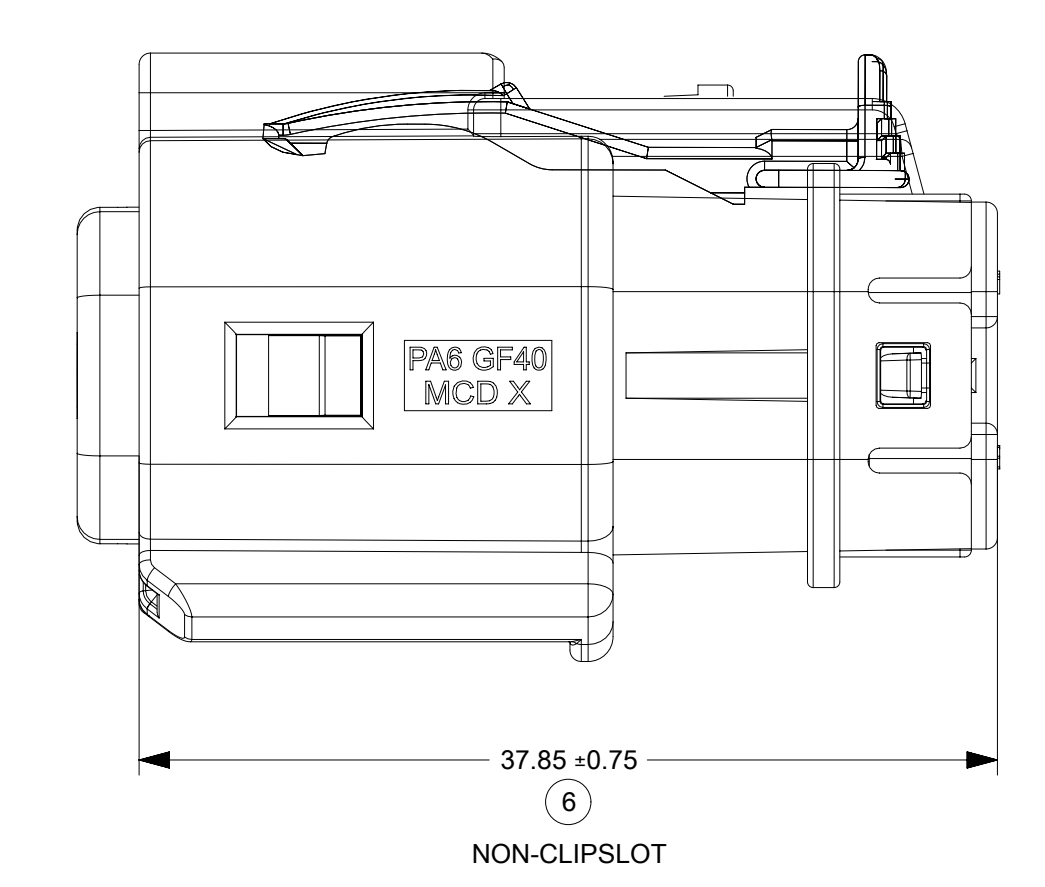
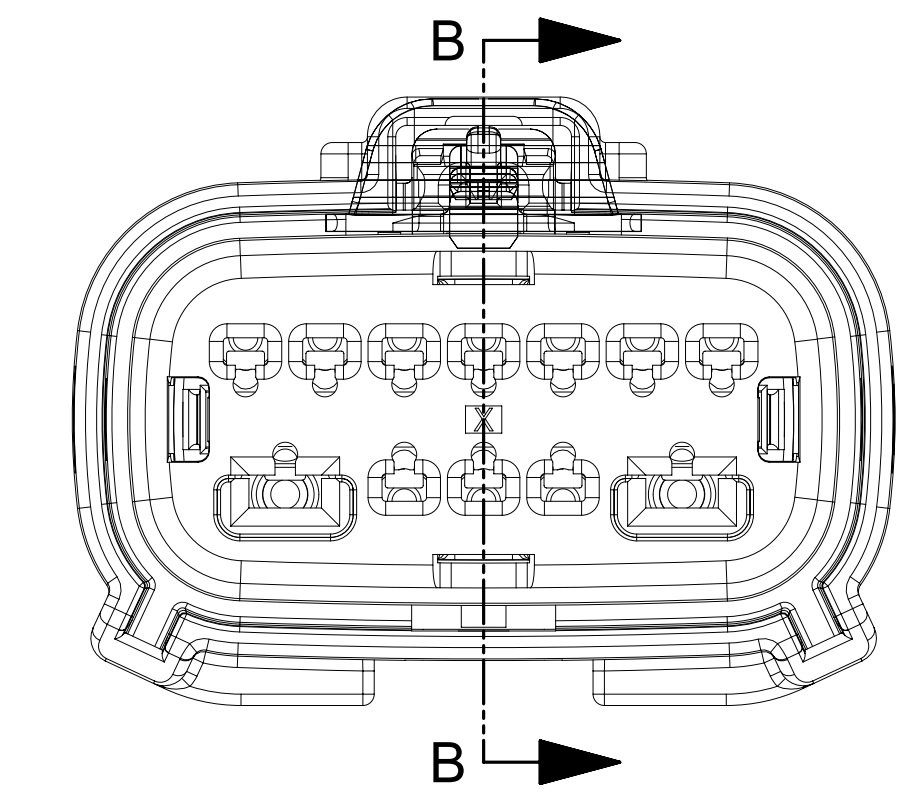
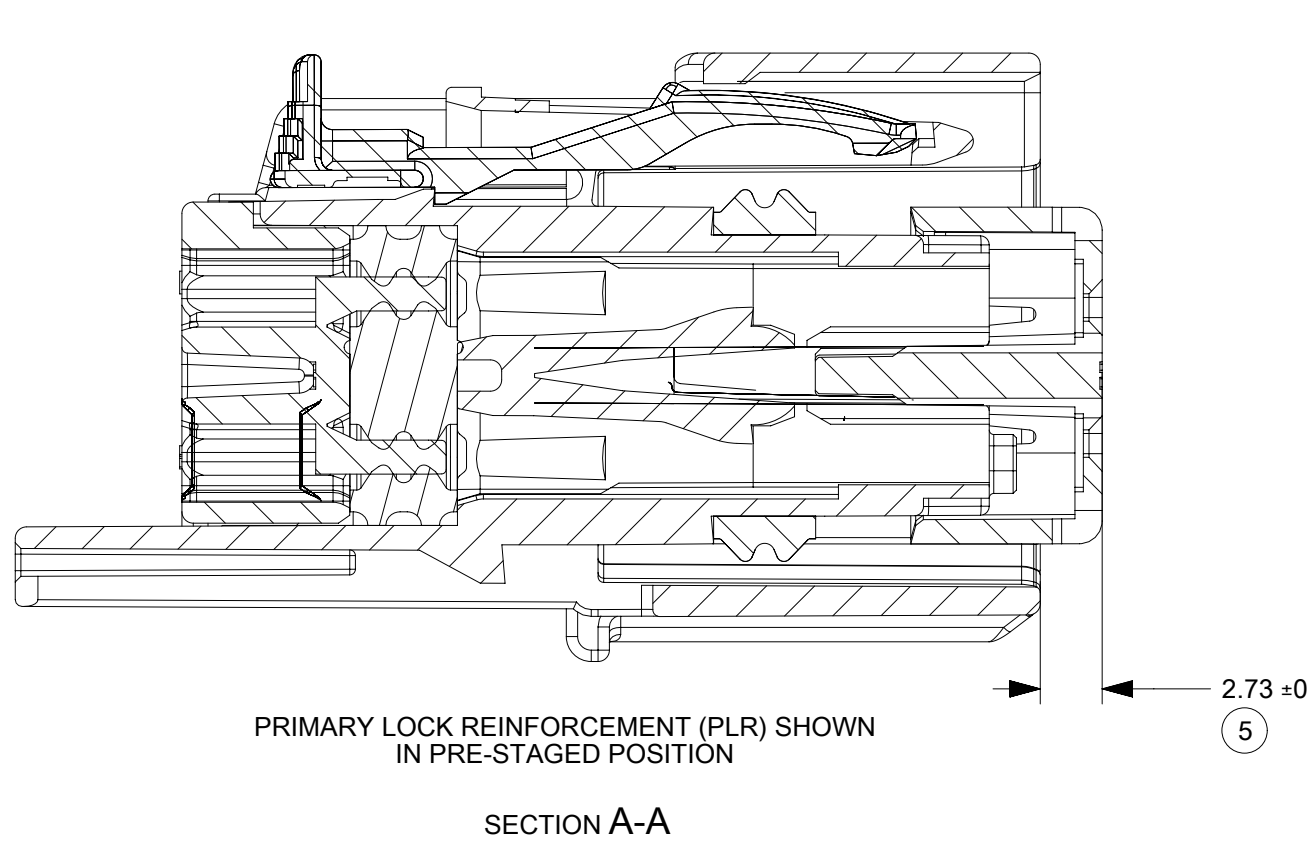
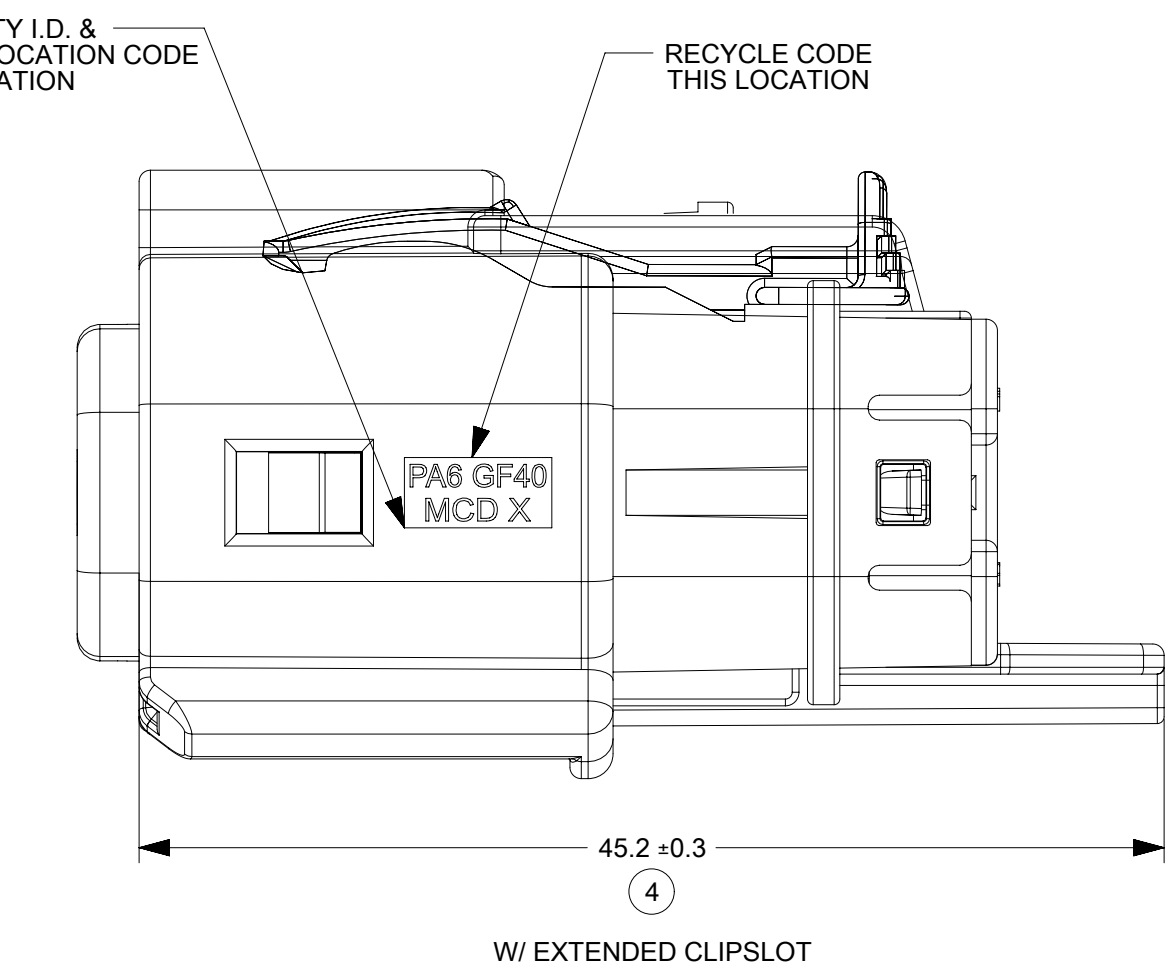
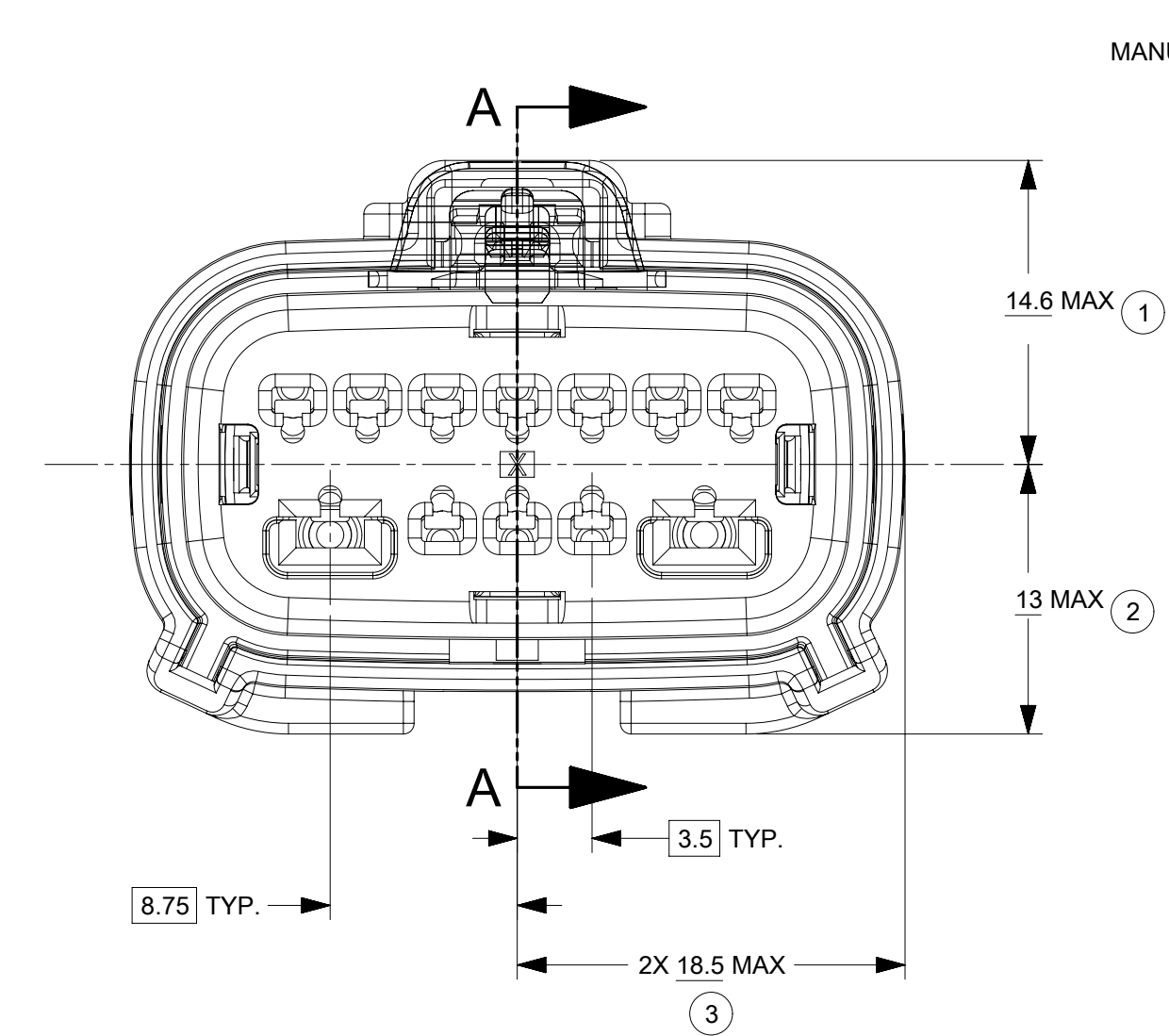
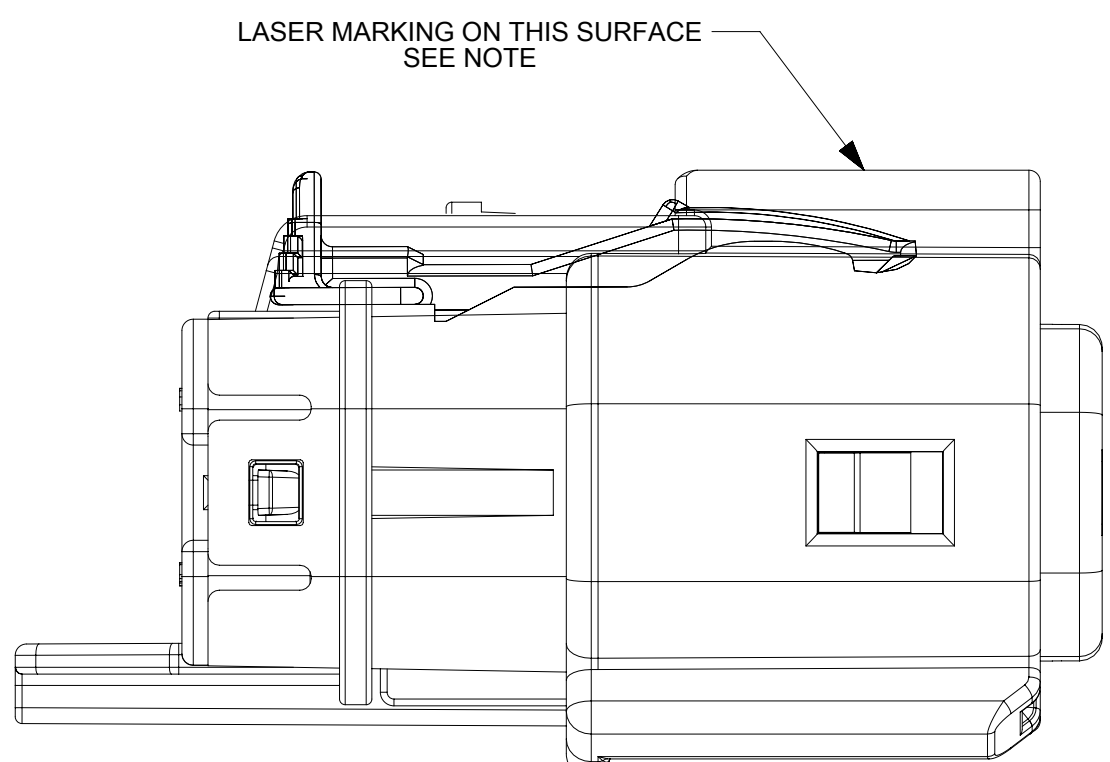
12W HYBRID



THIS DRAWING CONTAINS INFORMATION THAT IS PROPRIETARY TO MOLEX ELECTRONIC TECHNOLOGIES, LLC AND SHOULD NOT BE USED WITHOUT WRITTEN PERMISSION										
DIMENSION UNITS	SCALE	CURRENT REV DESC: SEE REVISION TABLE						molex		
mm	3:1									
GENERAL TOLERANCES (UNLESS SPECIFIED)								MX150 HYBRID MAT SEAL RCPT CONN ASM		
ANGULAR TOL	± °							PRODUCT CUSTOMER DRAWING		
4 PLACES	±	EC NO: 674870		2021/08/23		DOCUMENT NUMBER		DOC TYPE	DOC PART	REVISION
3 PLACES	±	DRWN: SCV		2021/08/27		1601110000		PSD	000	D4
2 PLACES	±	CHK'D: GGA		2021/08/27		INITIAL REVISION:				
1 PLACE	±	APPR: GGA		2021/08/27		DRWN: ADING03				
0 PLACES	±	APPR: KDEKOSKI		2017/01/17		2017/01/16				
DRAFT WHERE APPLICABLE MUST REMAIN WITHIN DIMENSIONS		THIRD ANGLE PROJECTION		DRAWING	SERIES	MATERIAL NUMBER	CUSTOMER	SHEET NUMBER		
				D-SIZE	160111	160111	CHARTED	3 OF 7		

SEE NOTES

SHEET DESCRIPTION
RECEPTACLE CONNECTOR ASSEMBLY



THIS DRAWING CONTAINS INFORMATION THAT IS PROPRIETARY TO MOLEX ELECTRONIC TECHNOLOGIES, LLC AND SHOULD NOT BE USED WITHOUT WRITTEN PERMISSION

DIMENSION UNITS	SCALE	CURRENT REV DESC: SEE REVISION TABLE	
mm	4:1		
GENERAL TOLERANCES (UNLESS SPECIFIED)			
ANGULAR TOL	± °		
4 PLACES	±	EC NO: 674870	
3 PLACES	±	DRWN: SCV	2021/08/23
2 PLACES	±	CHK'D: GGA	2021/08/27
1 PLACES	±	APPR: GGA	2021/08/27
0 PLACES	±	INITIAL REVISION:	
DRAFT WHERE APPLICABLE MUST REMAIN WITHIN DIMENSIONS		DRWN: ADING03	2017/01/16
		APPR: KDEKOSKI	2017/01/17
THIRD ANGLE PROJECTION	DRAWING	SERIES	MATERIAL NUMBER
	D-SIZE	160111	CHARTED
		CUSTOMER	SHEET NUMBER
			4 OF 7

molex

MX150 HYBRID MAT SEAL RCPT CONN ASM

PRODUCT CUSTOMER DRAWING

DOCUMENT NUMBER	DOC TYPE	DOC PART	REVISION
1601110000	PSD	000	D4

SHEET DESCRIPTION
12W HYBRID CONNECTOR BOM

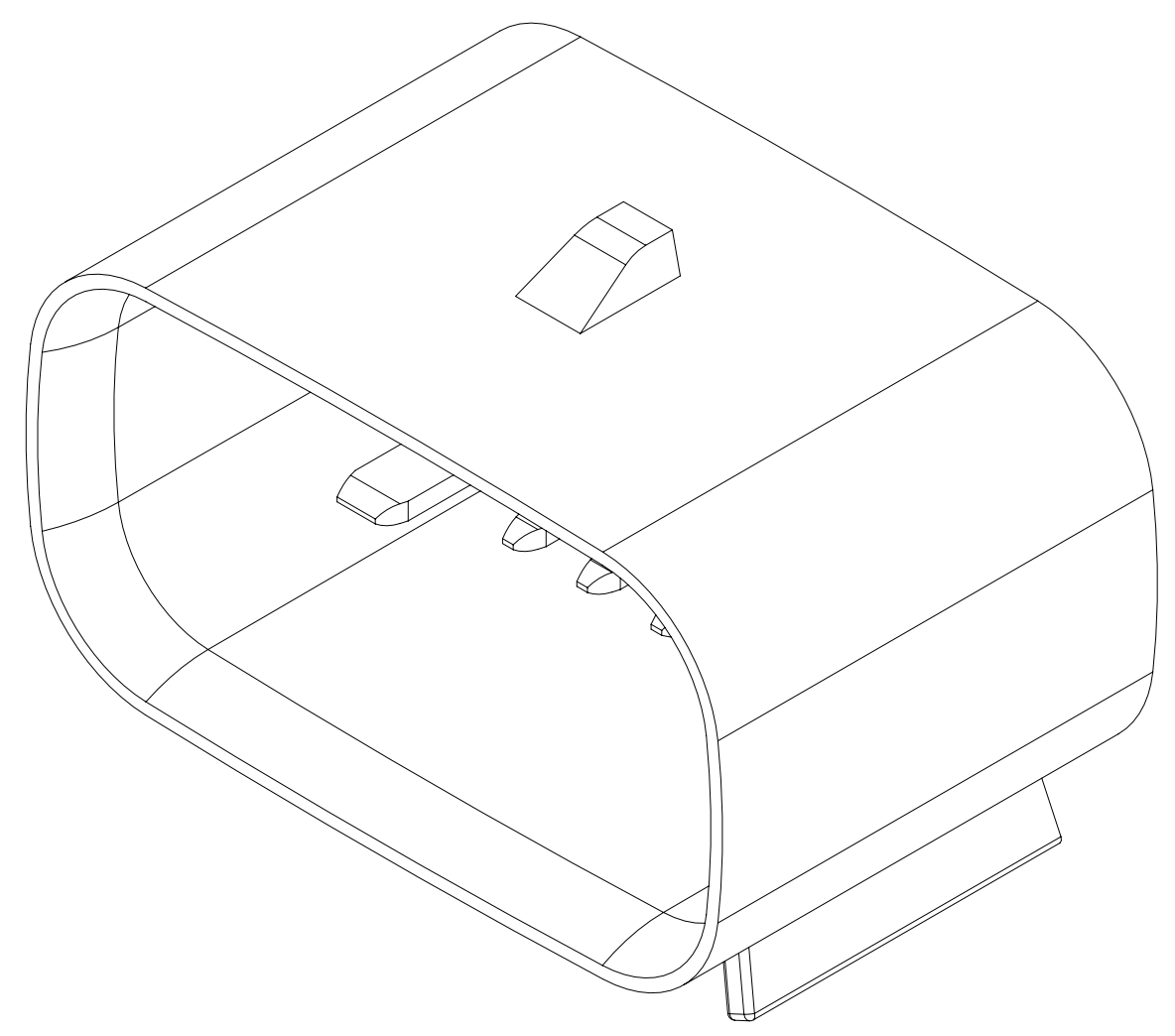
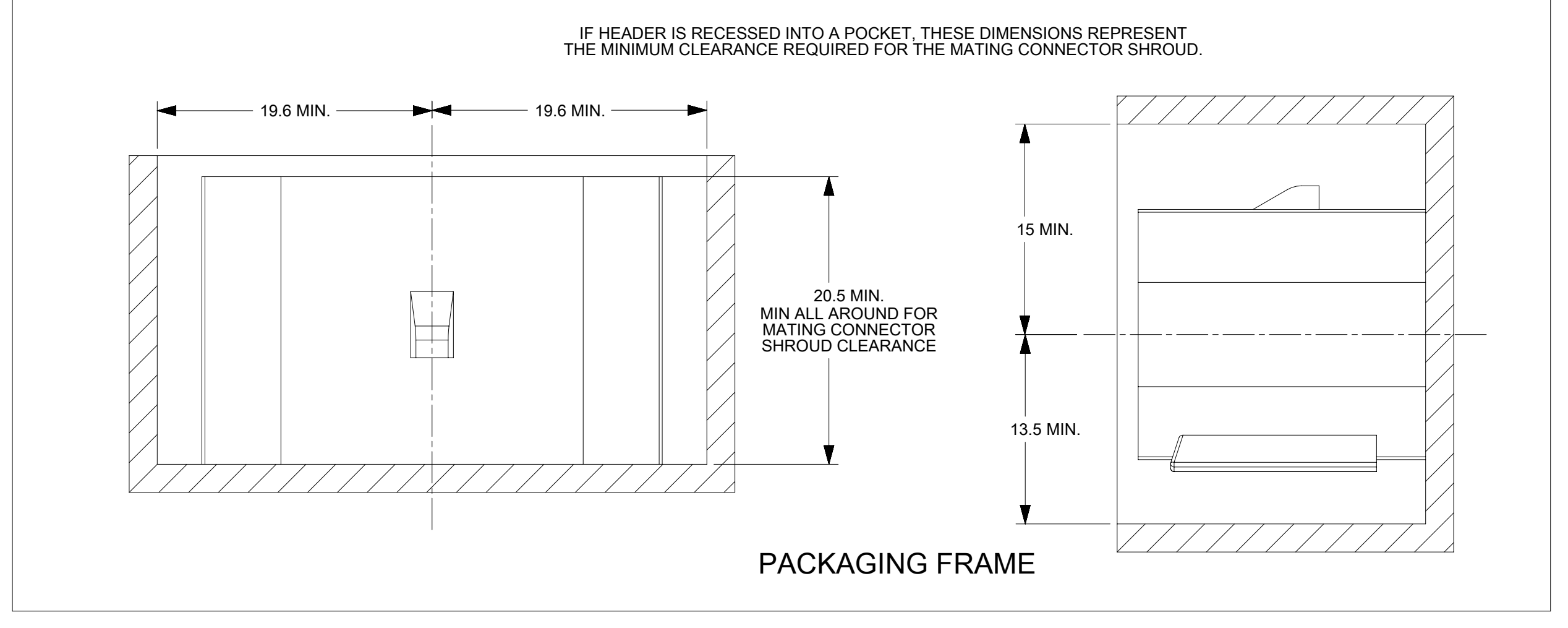
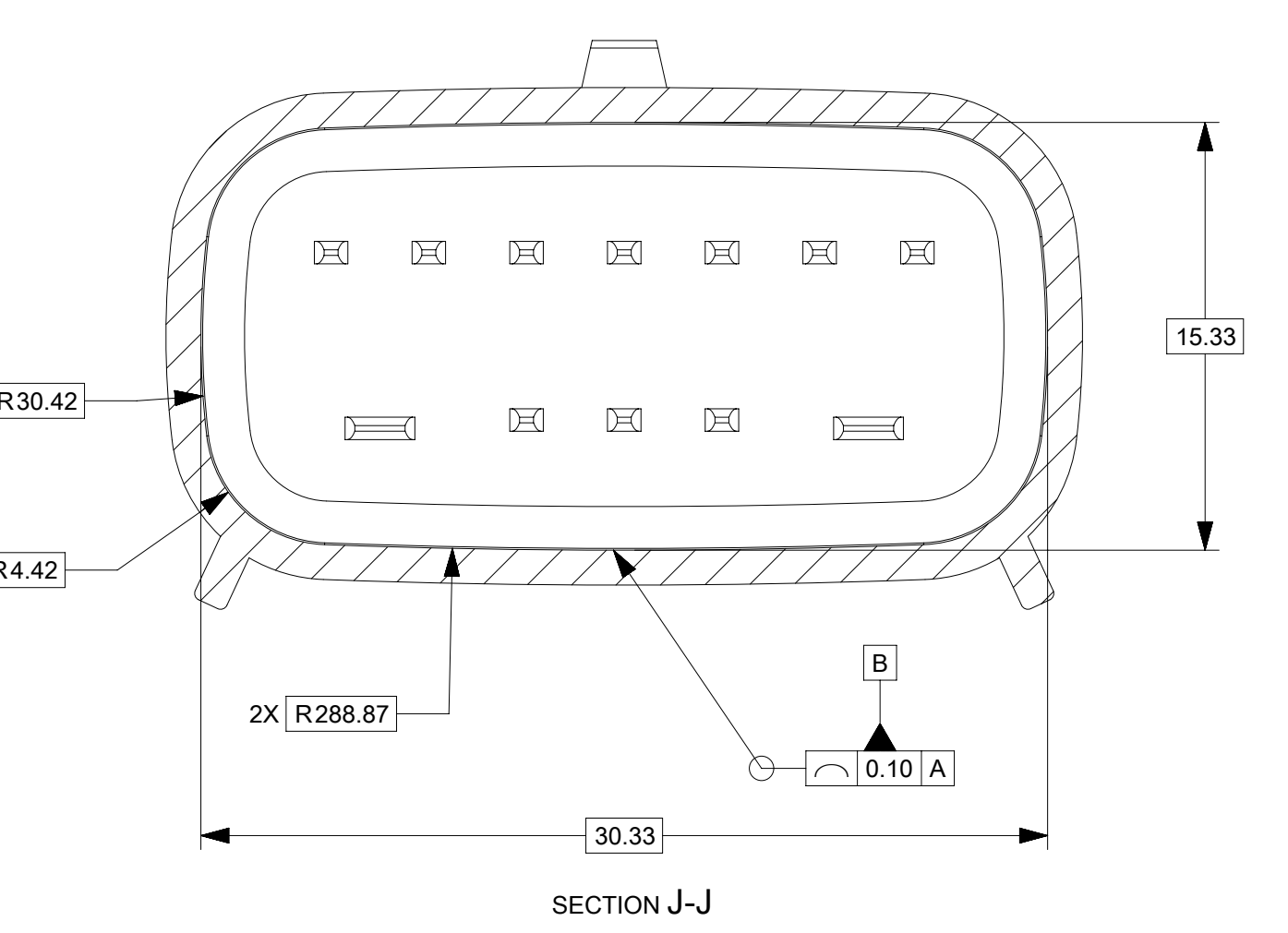
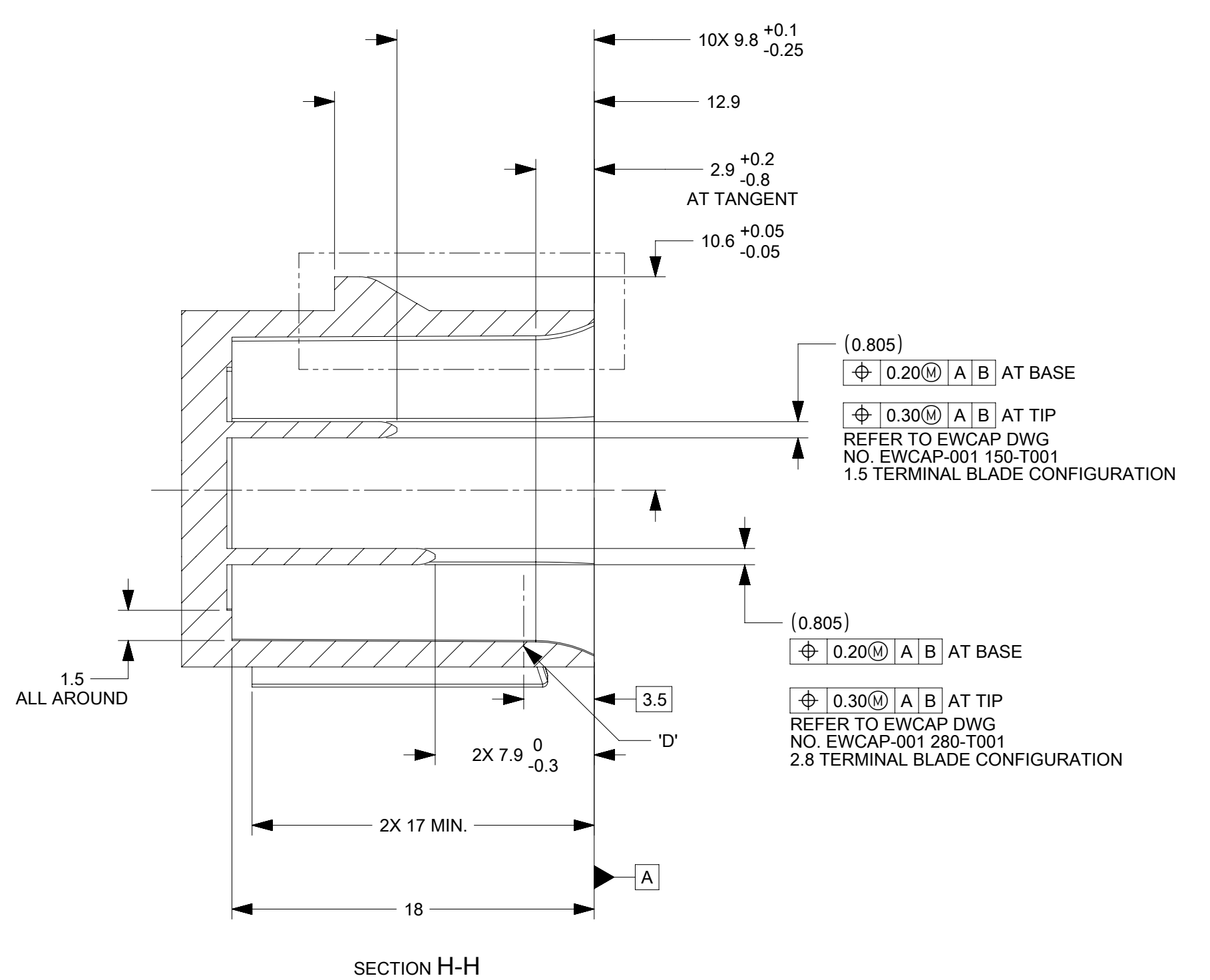
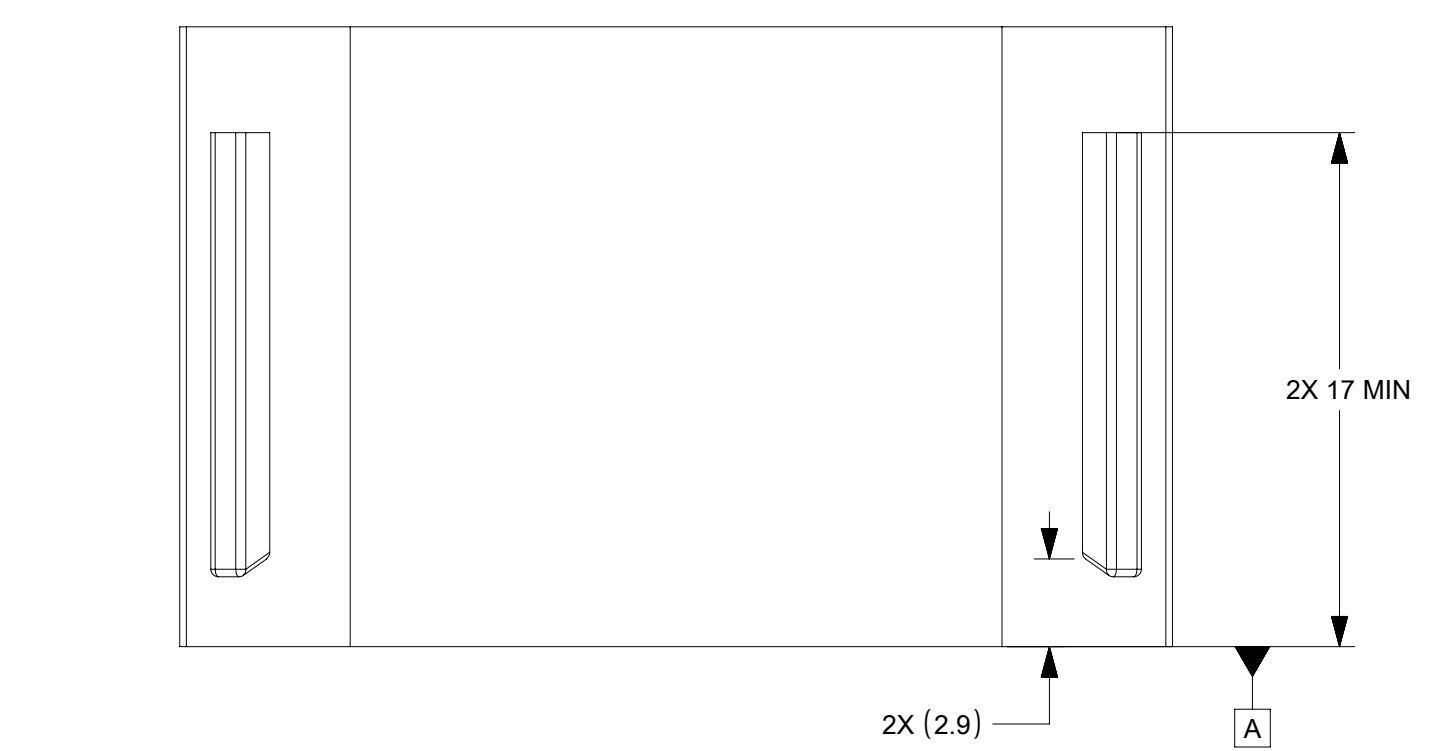
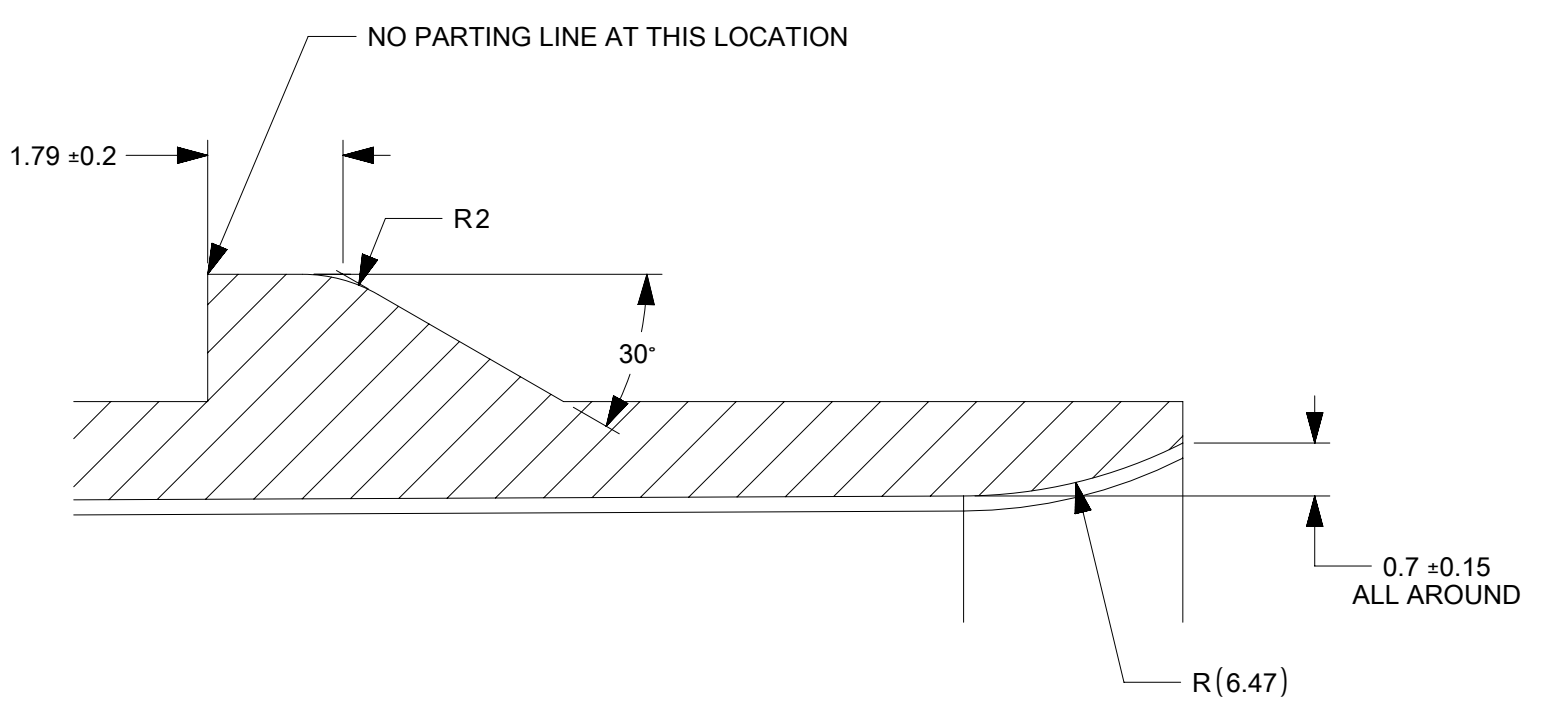
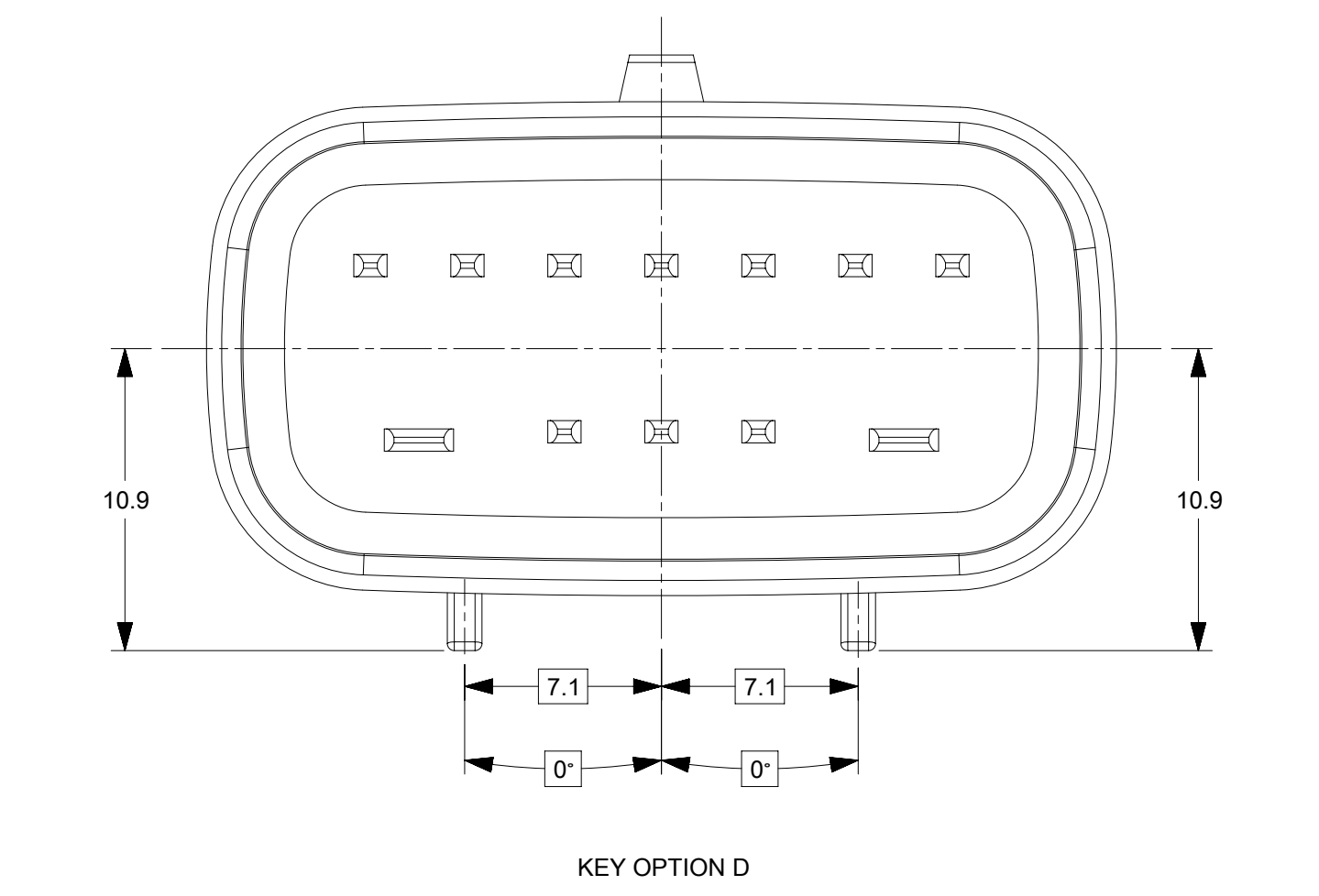
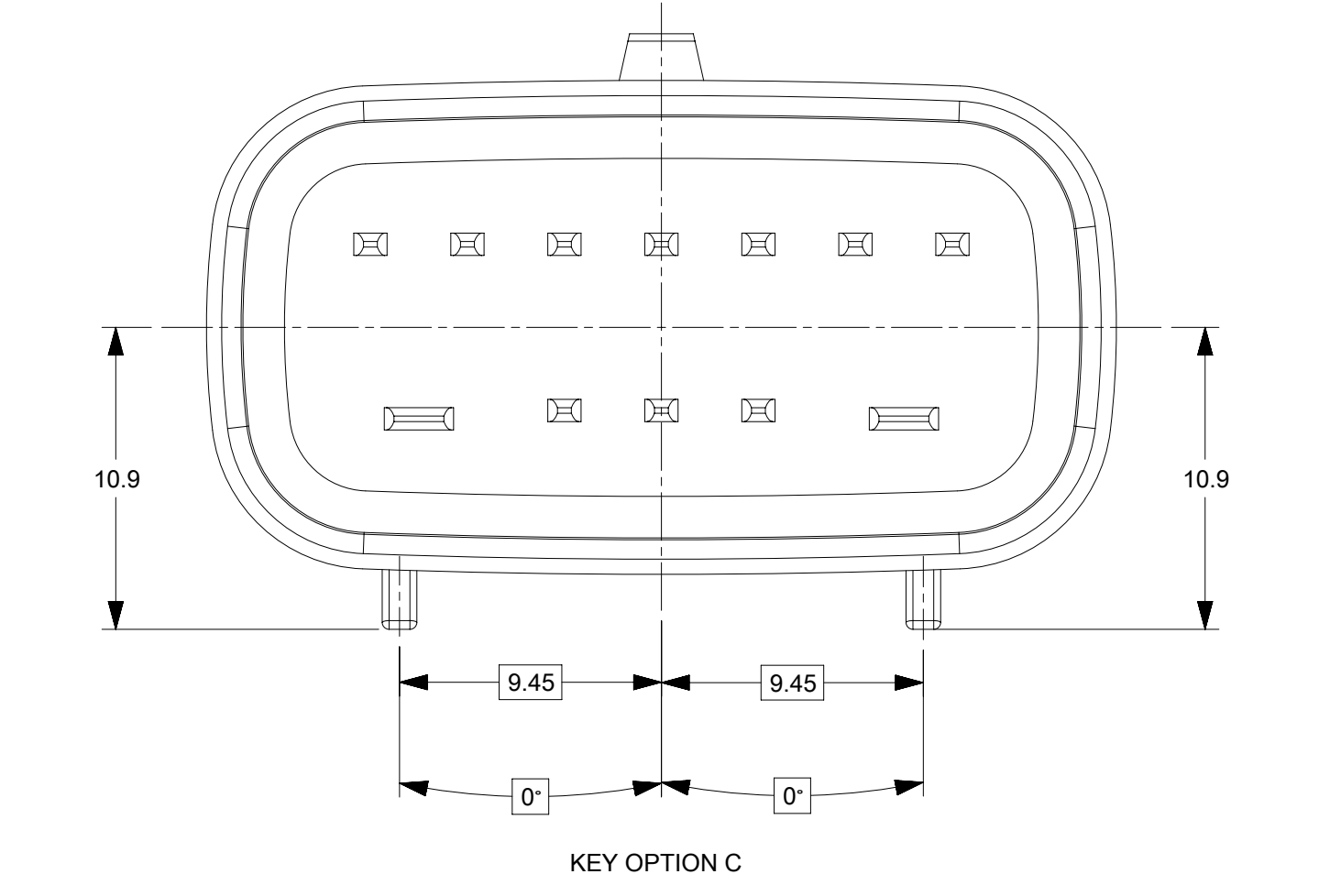
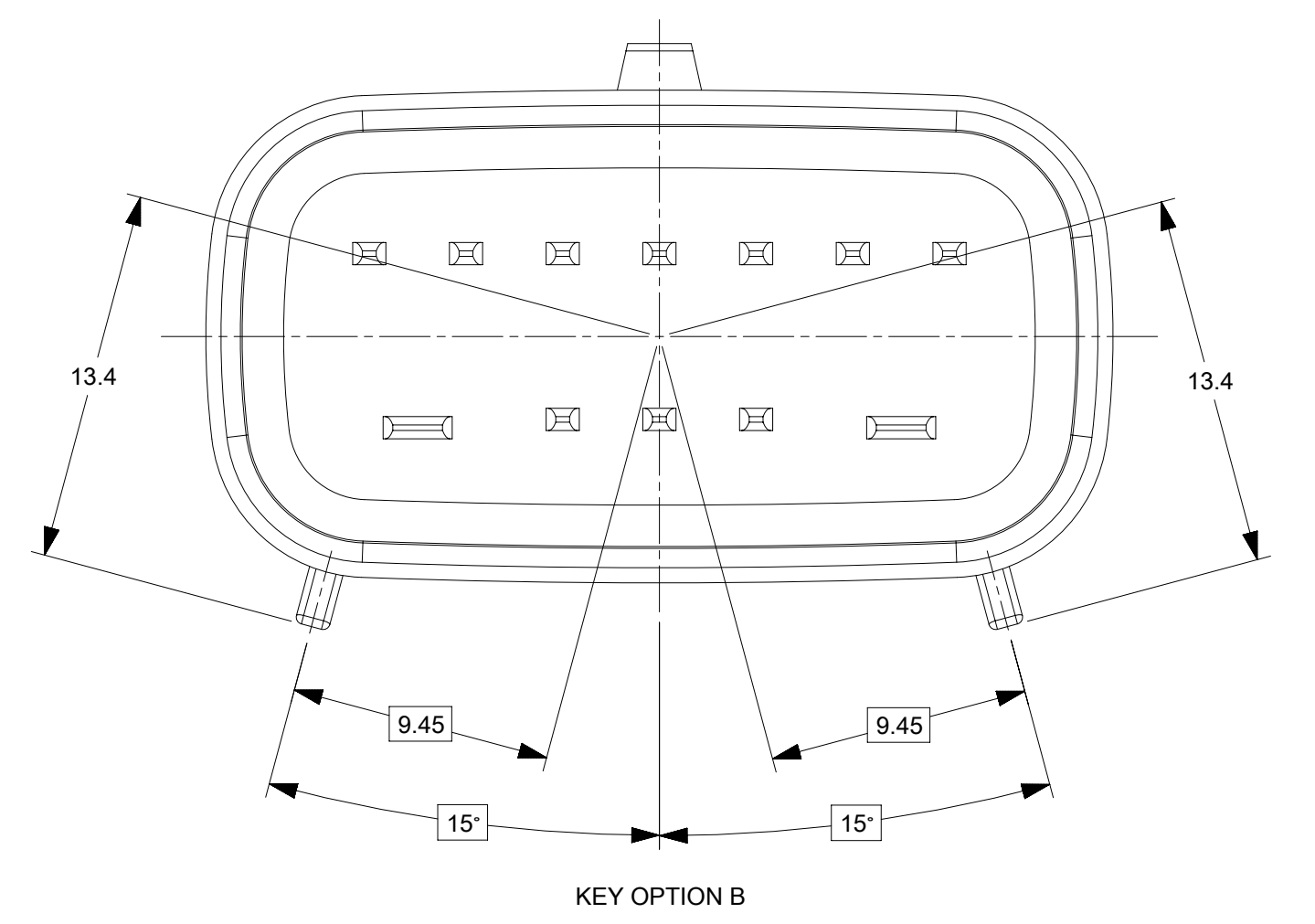
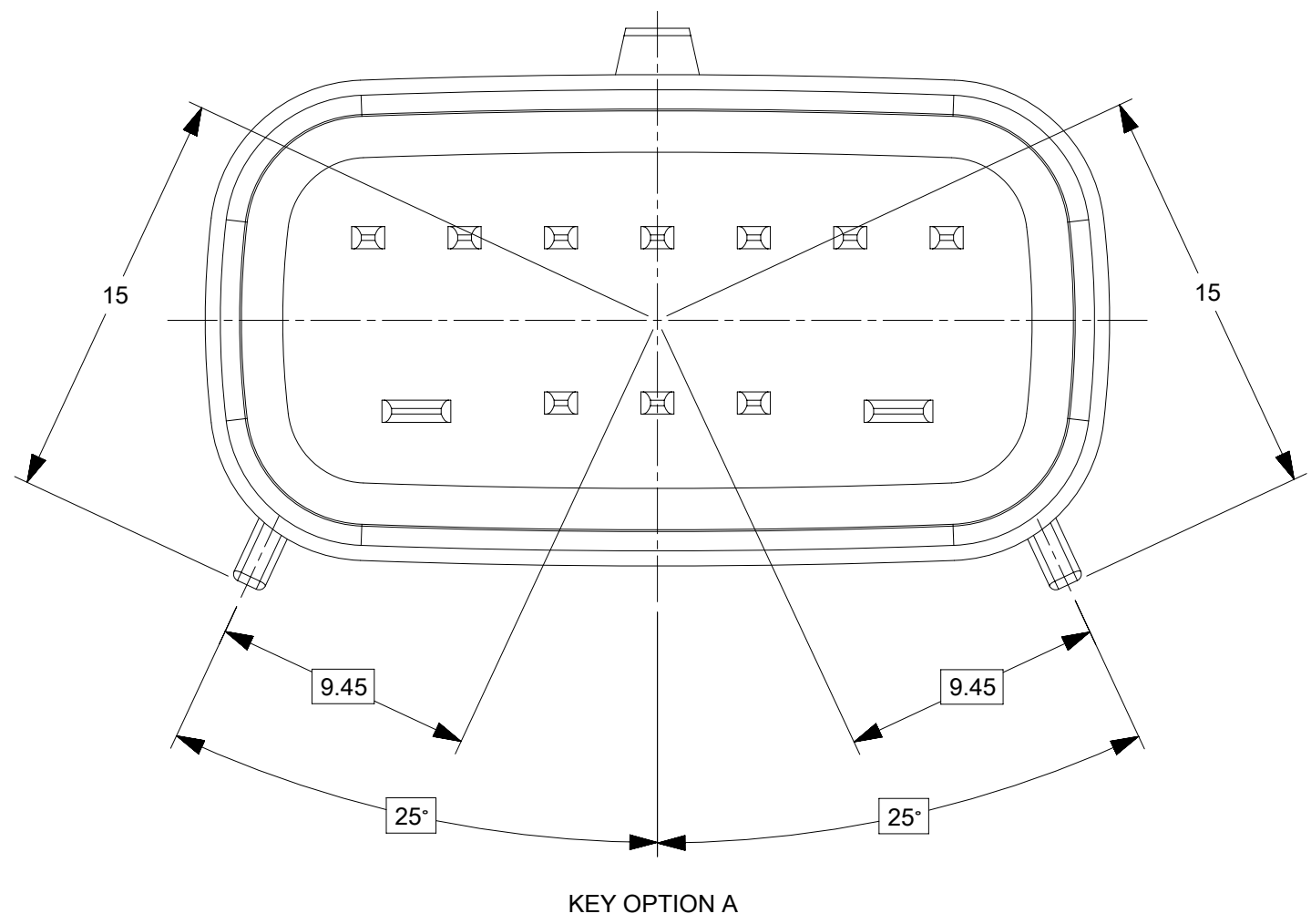
ASSEMBLY DESCRIPTION	ASSEMBLY PART NUMBER	COMPONENT						BLOCKED TERMINALS												STATUS	COMMENTS	OPTIONAL ATTACHMENTS SOLD SEPERATELY						
		THE PRESENCE OF AN ABBREVIATION INDICATES THE PRESENCE OF THAT COMPONENT.						CAVITY WITH A NUMBER INDICATES BLOCKED TERMINAL POSITION CAVITY WITHOUT A NUMBER INDICATES OPEN TERMINAL POSITION														BACKSHELL WITH RIBS	BACKSHELL WITHOUT RIBS					
		HOUSING KEY/COLOR	GROMMET CAP	PLR	CPA	MAT SEAL	RING SEAL	1	2	3	4	5	6	7	8	9	10	11	12									
KEY A, BLACK, W/ CPA, W/ EX. CLIPSLOT	160111-6046	A-BLK-ECLIP	GCP-ECLIP	PLR	CPA	M	R	1	2	3				7										SALEABLE				
KEY A, BLACK, W/ CPA, W/ EX. CLIPSLOT	160111-6047	A-BLK-ECLIP	GCP-ECLIP	PLR	CPA	M	R		2			4	5	6											SALEABLE			
KEY A, BLACK, W/ CPA, W/ EX. CLIPSLOT	160111-6048	A-BLK-ECLIP	GCP-ECLIP	PLR	CPA	M	R	1	2	3	4	5	6	7											SALEABLE			
KEY A, BLACK, W/ CPA, W/ EX. CLIPSLOT	160111-6049	A-BLK-ECLIP	GCP-ECLIP	PLR	CPA	M	R	1	2	3	4	5	6	7								11			SALEABLE			
KEY A, BLACK, W/ CPA, W/ EX. CLIPSLOT	160111-6050	A-BLK-ECLIP	GCP-ECLIP	PLR	CPA	M	R									9	10								SALEABLE			
KEY A, BLACK, W/ CPA, W/ EX. CLIPSLOT	160111-6051	A-BLK-ECLIP	GCP-ECLIP	PLR	CPA	M	R	1			3	4	5	6	7										SALEABLE			
KEY A, BLACK, W/ CPA, W/ EX. CLIPSLOT	160111-6052	A-BLK-ECLIP	GCP-ECLIP	PLR	CPA	M	R				4	5	6												SALEABLE			
KEY A, BLACK, W/ CPA, W/ EX. CLIPSLOT	160111-6053	A-BLK-ECLIP	GCP-ECLIP	PLR	CPA	M	R	1			3				7										SALEABLE			
KEY A, BLACK, W/ CPA	160111-6054	A-BLK	GCP	PLR	CPA	M	R					5		7								11	12		SALEABLE			
KEY A, BLACK, W/ CPA	160111-6055	A-BLK	GCP	PLR	CPA	M	R	1	2					7									12		SALEABLE			
KEY A, BLACK, W/ CPA	160111-6056	A-BLK	GCP	PLR	CPA	M	R							7									12		SALEABLE			
KEY A, BLACK, W/ CPA	160111-6057	A-BLK	GCP	PLR	CPA	M	R	1	2			5		7								11	12		SALEABLE			
KEY A, BLACK, W/ CPA, W/ EX. CLIPSLOT	160111-6058	A-BLK-ECLIP	GCP-ECLIP	PLR	CPA	M	R	1	2	3				7								11			SALEABLE			
KEY A, BLACK, W/O CPA, W/ EX. CLIPSLOT	160111-6059	A-BLK-ECLIP	GCP-ECLIP	PLR		M	R	1	2	3	4	5	6	7	8	9	10	11	12						SALEABLE			
KEY A, BLACK, W/O CPA	160111-6060	A-BLK	GCP	PLR		M	R									9	10								SALEABLE			
KEY A, BLACK, W/ CPA, W/ EX. CLIPSLOT	160111-6061	A-BLK-ECLIP	GCP-ECLIP	PLR	CPA	M	R									8									SALEABLE			
KEY A, BLACK, W/ CPA	160111-6062	A-BLK	GCP	PLR	CPA	M	R	1	2		4	5	6	7											SALEABLE			
KEY A, BLACK, W/ CPA	160111-6063	A-BLK	GCP	PLR	CPA	M	R		2	3	4		6	7			9	10							SALEABLE			

D4
D4

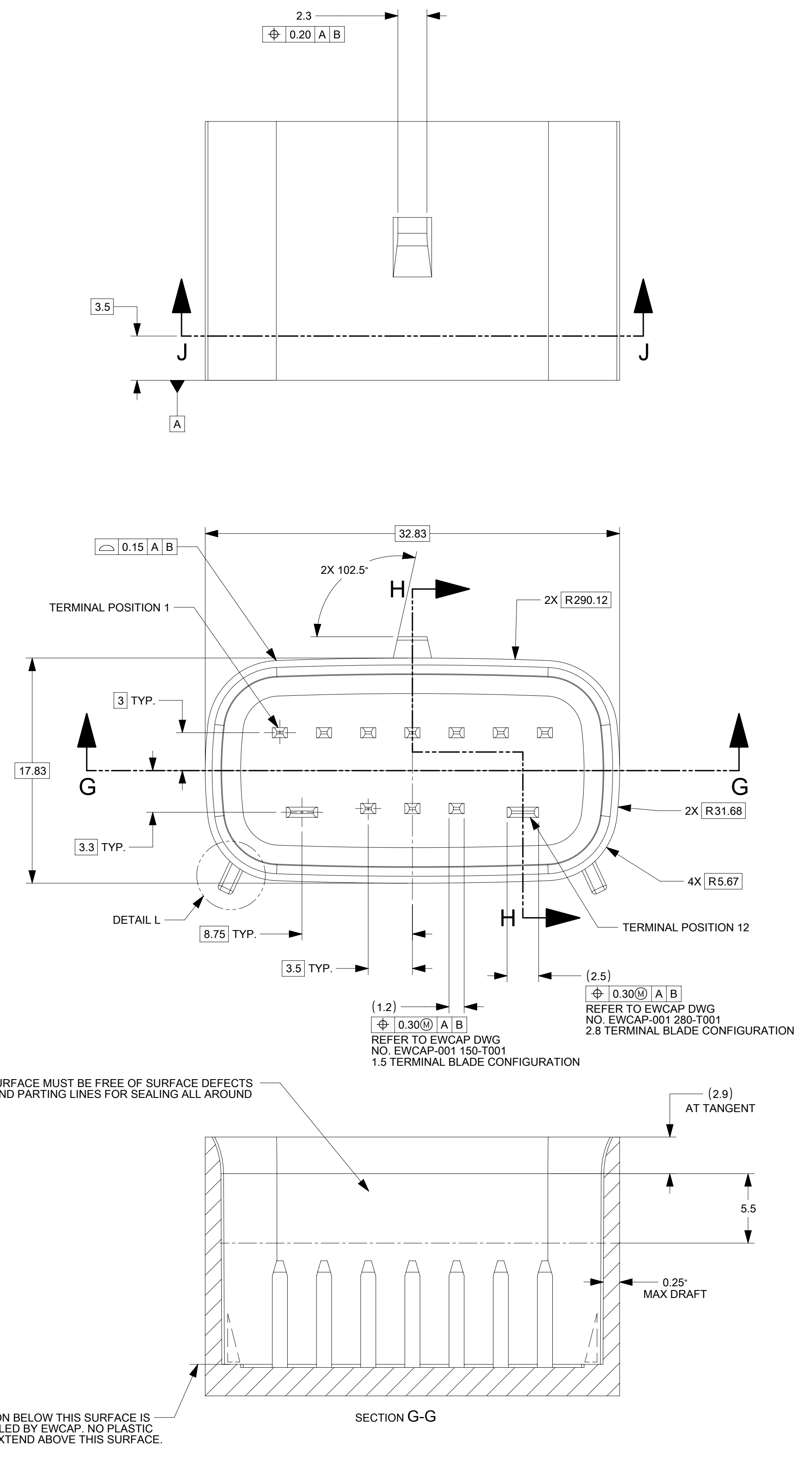
THIS DRAWING CONTAINS INFORMATION THAT IS PROPRIETARY TO MOLEX ELECTRONIC TECHNOLOGIES, LLC AND SHOULD NOT BE USED WITHOUT WRITTEN PERMISSION

DIMENSION UNITS mm	SCALE 1:1	CURRENT REV DESC: SEE REVISION TABLE	molex			
GENERAL TOLERANCES (UNLESS SPECIFIED)			MX150 HYBRID MAT SEAL RCPT CONN ASM			
ANGULAR TOL ± °			PRODUCT CUSTOMER DRAWING			
4 PLACES ±		EC NO: 674870				
3 PLACES ±		DRWN: SCV 2021/08/23				
2 PLACES ±		CHK'D: GGA 2021/08/27				
1 PLACE ±		APPR: GGA 2021/08/27				
0 PLACES ±		INITIAL REVISION:				
		DRWN: ADING03 2017/01/16				
		APPR: KDEKOSKI 2017/01/17				
DRAFT WHERE APPLICABLE MUST REMAIN WITHIN DIMENSIONS	THIRD ANGLE PROJECTION	DRAWING	SERIES	MATERIAL NUMBER	CUSTOMER	SHEET NUMBER
		D-SIZE	160111	1601110000	CHARTED	6 OF 7

SHEET DESCRIPTION
12W HYBRID INTERFACE DEFINITION



- NOTES: UNLESS OTHERWISE SPECIFIED
- ALL DIMENSIONS SHOWN IN MILLIMETERS.
 - DIMENSIONING AND TOLERANCING PER ASME Y14.5M-1994
 - 0.25 RADII ON ALL CORNERS SHOWN SHARP.
 - UNSPECIFIED RADII: 0.25 EXCEPT AS NOTED.
 - STANDARD COLORS FOR POLARIZATION (SEE CHART). DEVIATION REQUIRES APPROVAL OF AUTHORIZED PERSON.
 - REFER TO "SAE/USCAR 12 CONNECTOR GUIDELINES" FOR ADDITIONAL REQUIREMENTS.
 - EXCEPT WHERE NOTED, DRAFT ON OUTSIDE SURFACES IS PERMISSIBLE WITHIN TOLERANCE.
 - SYMBOL INDICATES DRAFT DIRECTION.
 - FOR TERMINAL MATERIAL, DIMENSIONAL, AND COATING REQUIREMENTS AND ANY BLADE TERMINAL DESIGN INFORMATION NOT SHOWN ON THIS DRAWING SEE EWCAP DRW. NO. EWCAP-001
 - A FULL SHROUD ON THE MATING CONNECTOR IS REQUIRED TO INSURE THAT THE CONNECTOR-HEADER POLARIZATION FEATURES (OPTIONS A THRU D) WILL FUNCTION. THE FULL SHROUD ALSO PREVENT SCOOP DAMAGE TO THE HEADER PINS. REFER TO "SAE/USCAR-12 CONNECTOR DESIGN GUIDE LINES" FOR ADDITIONAL INFORMATION.
 - REFER TO USCAR/EWCAP PART LIST AS FOUND ON WEBSITE <http://www.uscarteams.org>
 - THIS IS 100% CAD GENERATED PART. THE CAD MATHEMATICAL DATA IS THE MASTER FOR THIS PART. FOR DIMENSIONAL OR ANY INFORMATION NOT SHOWN ON THIS DRAWING. ANALYZE THE CAD MODEL



NOTICE

THIS DRAWING OR PORTIONS OF IT, ARE CONTROLLED BY THE ELECTRICAL WIRING COMPONENTS APPLICATION PARTNERSHIP (EWCAP), A SUBGROUP OF THE UNITED STATES CONSORTIUM FOR AUTOMOTIVE RESEARCH LLC (USCAR). USCAR IS A PARTNERSHIP BETWEEN CHRYSLER GROUP LLC, FORD MOTOR COMPANY, AND GENERAL MOTORS CORPORATION. ANY CHANGE TO A EWCAP CONTROLLED PORTION OF THIS DRAWING, INCLUDING A "RECORD CHANGE" MUST BE APPROVED, IN WRITING, BY THE RESPONSIBLE EWCAP MEMBER FROM EACH USCAR COMPANY. EACH EWCAP MEMBER AUTHORIZED TO SIGN FOR HIS OR HER COMPANY IS RESPONSIBLE FOR OBTAINING ALL NECESSARY APPROVALS WITHIN THAT COMPANY PRIOR TO SIGNING FOR APPROVAL OF THE CHANGE. EWCAP EXPRESSLY PROHIBITS ANY PARTY FROM CHANGING EITHER ANY EWCAP CONTROLLED PORTION OF THIS DRAWING OR ANY ASSOCIATED TOOLING BEFORE RECEIVING AN APPROVAL SIGNED BY AN AUTHORIZED REPRESENTATIVE FROM EACH EWCAP PARTNER. REFERENCE TO THE SIGNED APPROVAL FORM MUST BE ENTERED IN THIS DRAWING'S CONTROL COLUMN.

A6	ADDED NOTES AND NOTICE	1/16/17	AD	MV	
A	DESIGN RELEASE	4/18/16	AD	MV	
CHANGE SERIAL NUMBER	LET	REVISION RECORD	DATE	DWN	CHK

THIS DRAWING CONTAINS INFORMATION THAT IS PROPRIETARY TO MOLEX ELECTRONIC TECHNOLOGIES, LLC AND SHOULD NOT BE USED WITHOUT WRITTEN PERMISSION

DIMENSION UNITS	SCALE	CURRENT REV DESC: SEE REVISION TABLE			
mm	1:1	<p>molex</p> <p>MX150 HYBRID MAT SEAL RCPT CONN ASM</p> <p>PRODUCT CUSTOMER DRAWING</p> <p>DOCUMENT NUMBER: 1601110000</p> <p>DOC TYPE: PSD DOC PART: 000 REVISION: D4</p> <p>MATERIAL NUMBER: CHARTER</p> <p>CUSTOMER: SHEET NUMBER: 7 OF 7</p>			
GENERAL TOLERANCES (UNLESS SPECIFIED)					
ANGULAR TOL	± °				
4 PLACES	±				
3 PLACES	±				
2 PLACES	±				
1 PLACE	±	EC NO: 674870	2021/08/23		
0 PLACES	±	DRWN: SCV	2021/08/27		
DRAFT WHERE APPLICABLE MUST REMAIN WITHIN DIMENSIONS		CHK'D: GGA	2021/08/27		
THIRD ANGLE PROJECTION		APPR: GGA	2021/08/27		
SERIES		INITIAL REVISION:			
E-SIZE 160111		DRWN: ADING03	2017/01/16		
		APPR: KDEKOSKI	2017/01/17		

999-S-012-2-D01	D	STONE GRAY
999-S-012-2-C01	C	DARK GRAY
999-S-012-2-B01	B	LIGHT GRAY
999-S-012-2-A01	A	BLACK

EWCAP P/N	OPTION	MATING CONNECTOR COLOR
DOCUMENT STATUS	P1	RELEASE DATE
		2021/08/27 04:44:55