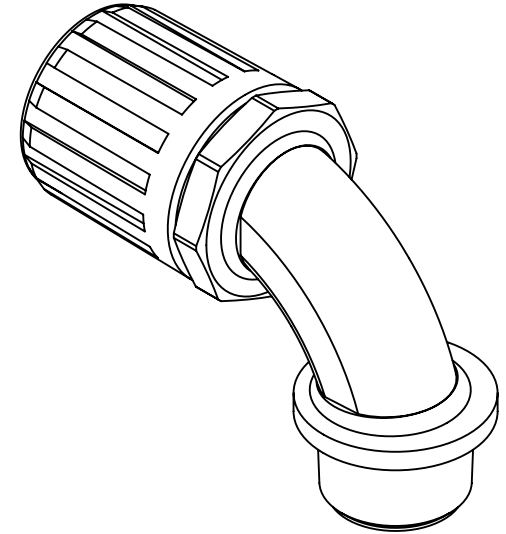
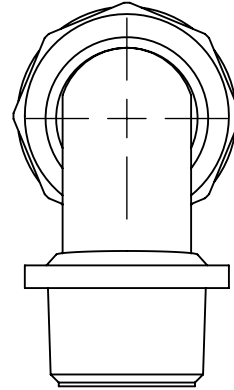
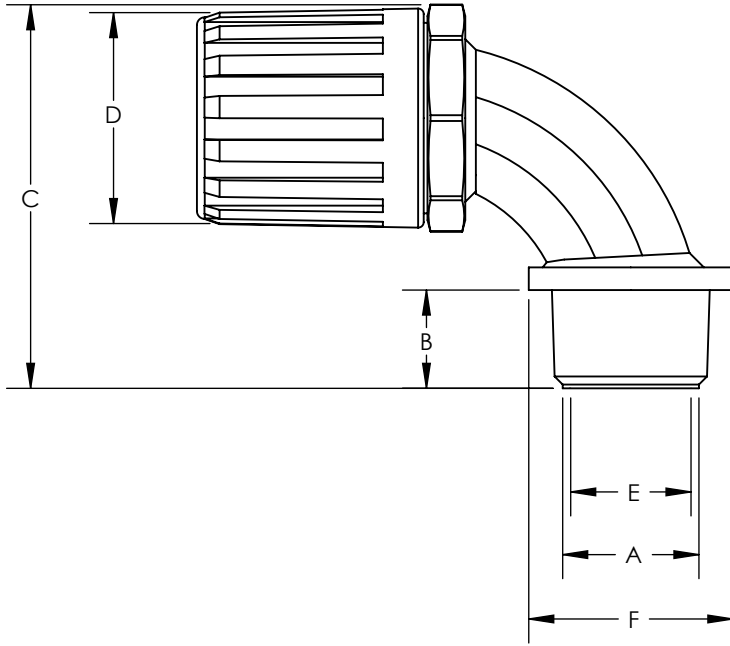


SW2014



Revision level			Revision Record	Changed	Date	Approved	Date
Drawing	State	Part					
00.0	Design Release		SEE ECN# 014957	CAS	2/12/2019	KAC	2/12/2019



Type Name	Manufacturer Reference Number	Global Part Description	Material	Color	GPN	Conduit Size		Thread	Dimensions									
						A	B		C	D	E	F (A/F)						
						in.	mm	NPT or M	in.	mm	in.	mm	in.	mm	in.	mm	in.	mm
HG031-90-M16	FPA13-M16-90B	HG031-90-M16-PA66-BK	PA66	Black (BK)	19-0289	5/16"	13.0	M16x1.5	0.43	11.0	1.38	35.0	0.95	24.0	0.41	10.5	0.87	22.0

Material PA66	Units: <b>inches</b>
	Dimension without tolerances details to:
	.xxxx = ±.0005
	.xxx = ±.005
	.xx = ±.01
.x = ±.03	
None = ±.06	
∠ = ±0.5°	
Dimension Formatted in [mm]	

The copyright of this drawing is reserved by HellermannTyton. It is issued on condition that it is not reproduced, copied, or disclosed to a third party, either wholly or in part, without the consent of HellermannTyton.

Drawn	CAS	2/12/2019
Approved	KAC	2/12/2019
<b>HellermannTyton</b>		
North America		
Email: corp@htamericas.com		
Web: www.hellermann.tyton.com		

Article/Type-No	HG-90 SERIES	Scale	1:1
Title	<b>HELAGUARD 90 DEGREE NYLON ELBOW FITTING, METRIC THREAD, IP66</b>	Project Number	PRP 19-0289
Drawing-No	<b>19-0289-001-CSU</b>	Format	AH
	PRODUCTION : Phase	Sheet	1/1