

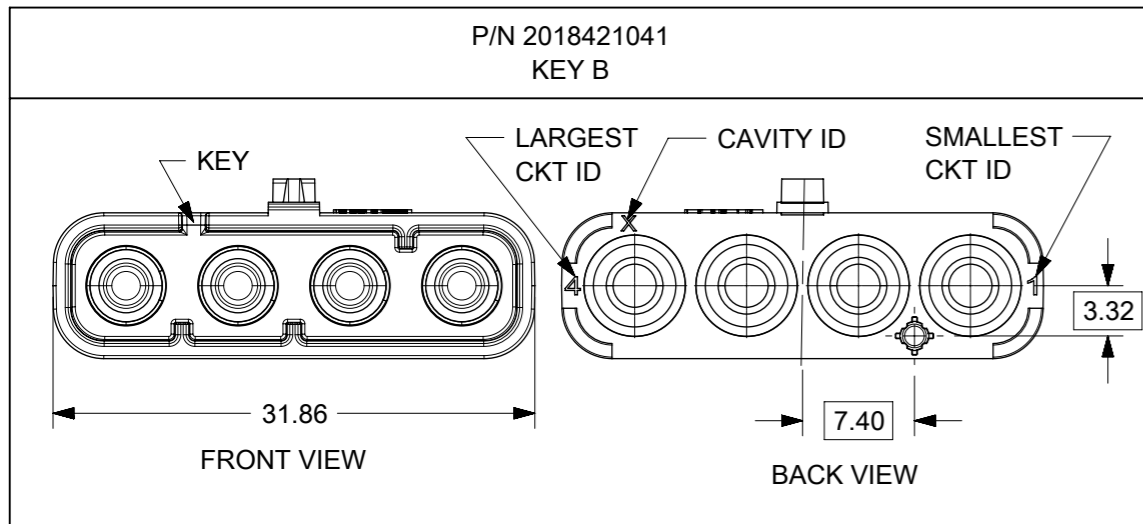
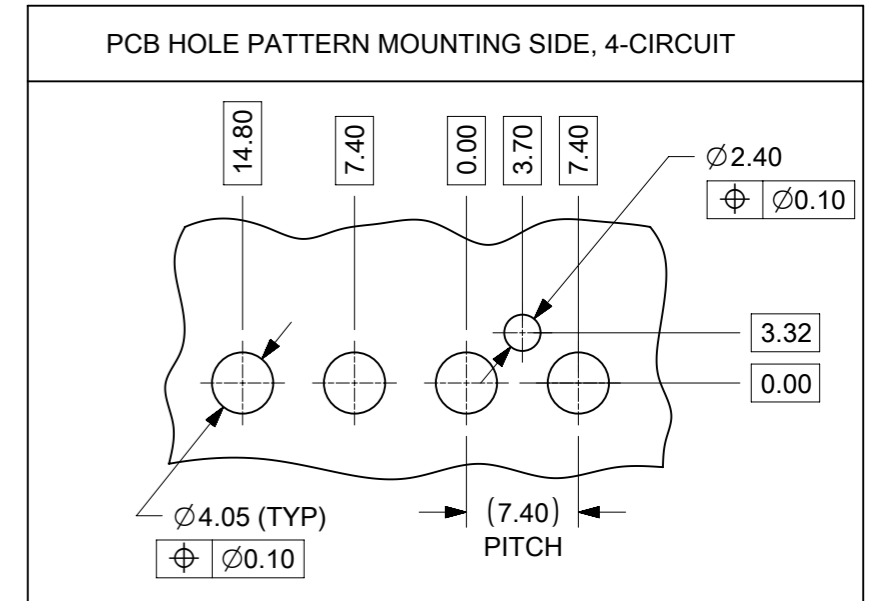
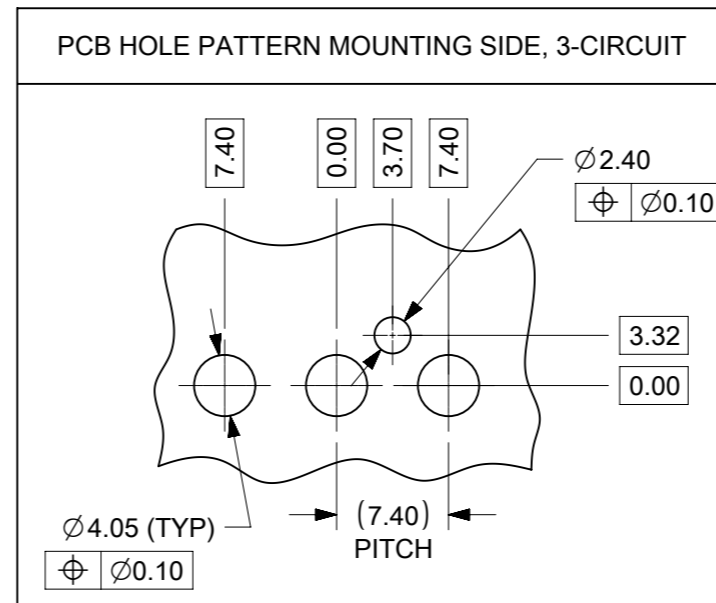
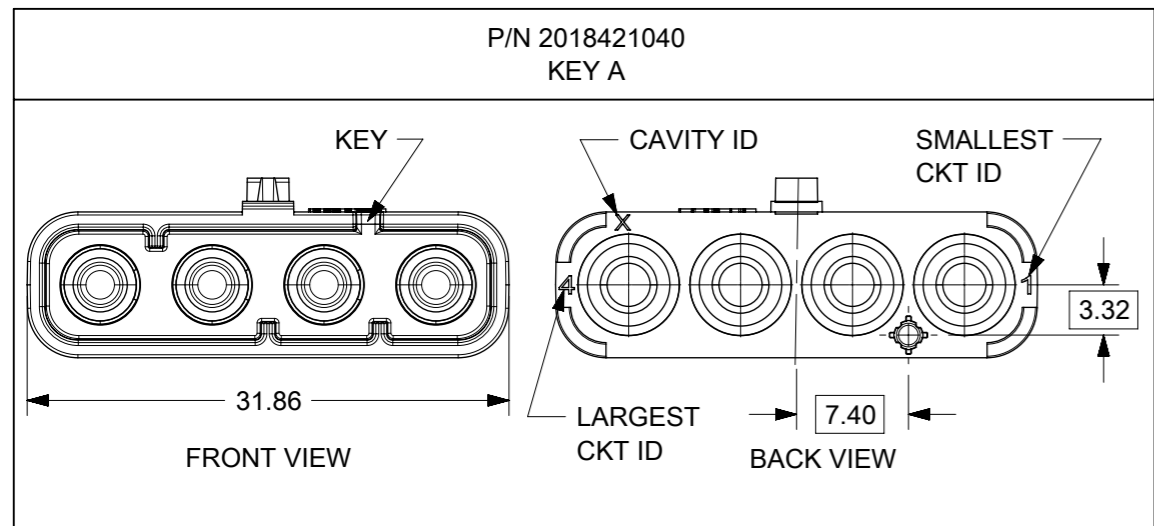
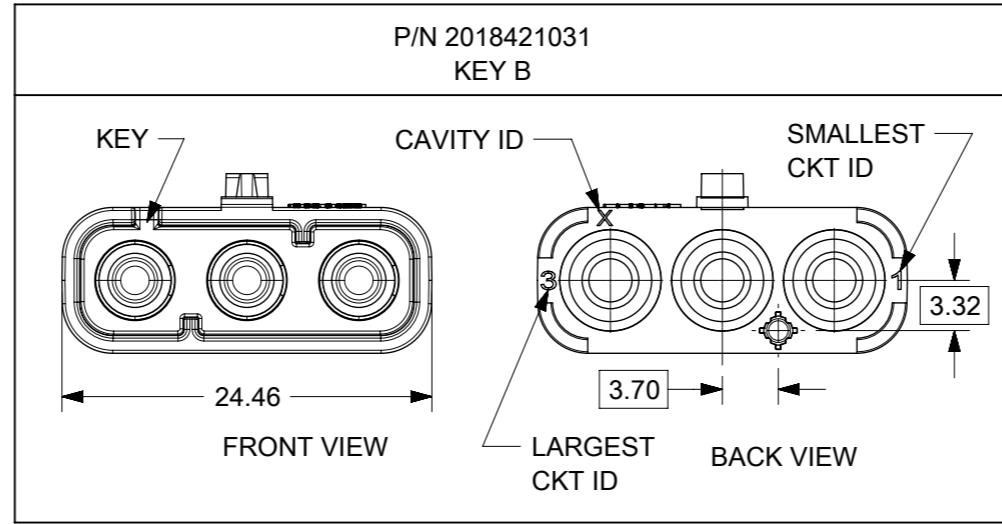
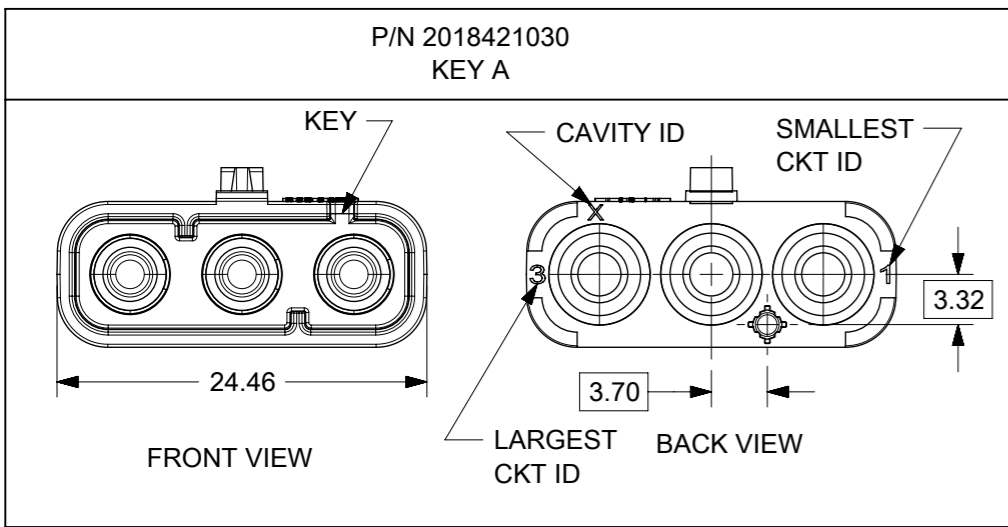
P/N 2018421030  
KEY A

NOTES:

1. APPLICATION SPECIFICATION SEE: 2018400000-AS
2. PRODUCT SPECIFICATION SEE: 2018400000-PS
3. COSMETIC STANDARD PS-45499-002 (CLASS B)
4. MATES WITH RECEPTACLE HOUSING SERIES 201841
5. HOUSING MATERIAL: PEI, UL RATED 94V-0; COLOR: SEE TABLE
6. TERMINAL MATERIAL: Cu ALLOY
7. SOLDERABILITY PER SMES-152
8. PLATING: MATING AREA : 0.1µm MIN Au OVER Ni  
TERMINATION AREA : 5µm MIN Sn OVER Ni
9. COMPLY WITH PACKAGING SPECIFICATION (2018420000-PK)

THIS DRAWING CONTAINS INFORMATION THAT IS PROPRIETARY TO MOLEX ELECTRONIC TECHNOLOGIES, LLC AND SHOULD NOT BE USED WITHOUT WRITTEN PERMISSION										
DIMENSION UNITS	SCALE	CURRENT REV DESC: ADDED BACK VIEWS.								
mm	2:1									
GENERAL TOLERANCES (UNLESS SPECIFIED)							MULTICAT VERT HDR ASSY WTB IN-LINE			
ANGULAR TOL	±						PRODUCT CUSTOMER DRAWING			
4 PLACES	±						DOCUMENT NUMBER			
3 PLACES	±						2018420000-SD			
2 PLACES	±						DOC TYPE			
1 PLACE	±						PSD			
0 PLACES	±						DOC PART			
DRAFT WHERE APPLICABLE MUST REMAIN WITHIN DIMENSIONS		THIRD ANGLE PROJECTION		DRAWING	SERIES	MATERIAL NUMBER	CUSTOMER	REVISION		
				A3-SIZE	201842	SEE SHEET 2	GENERAL MARKET	000	B1	
								SHEET NUMBER		
								1 OF 2		

NO.	ASSEMBLY		HOUSING
	PART NUMBER	DESCRIPTION	COLOR
1	2018421030	MULTICAT VERT HDR ASSY 1X3 KEY A	BLACK
2	2018421031	MULTICAT VERT HDR ASSY 1X3 KEY B	GRAY
3	2018421040	MULTICAT VERT HDR ASSY 1X4 KEY A	BLACK
4	2018421041	MULTICAT VERT HDR ASSY 1X4 KEY B	GRAY



THIS DRAWING CONTAINS INFORMATION THAT IS PROPRIETARY TO MOLEX ELECTRONIC TECHNOLOGIES, LLC AND SHOULD NOT BE USED WITHOUT WRITTEN PERMISSION															
DIMENSION UNITS		SCALE		CURRENT REV DESC: ADDED BACK VIEWS.											
mm		2:1													
GENERAL TOLERANCES (UNLESS SPECIFIED)															
ANGULAR TOL ± °				<b>MULTICAT VERT HDR ASSY WTB IN-LINE</b>											
4 PLACES ±															
3 PLACES ± 0.05				<b>PRODUCT CUSTOMER DRAWING</b>											
2 PLACES ± 0.1															
1 PLACE ± 0.2				<b>2018420000-SD</b>											
0 PLACES ±															
DRAFT WHERE APPLICABLE MUST REMAIN WITHIN DIMENSIONS				THIRD ANGLE PROJECTION		DRAWING		SERIES		MATERIAL NUMBER		CUSTOMER		SHEET NUMBER	
						A3-SIZE		201842		SEE TABLE		GENERAL MARKET		2 OF 2	