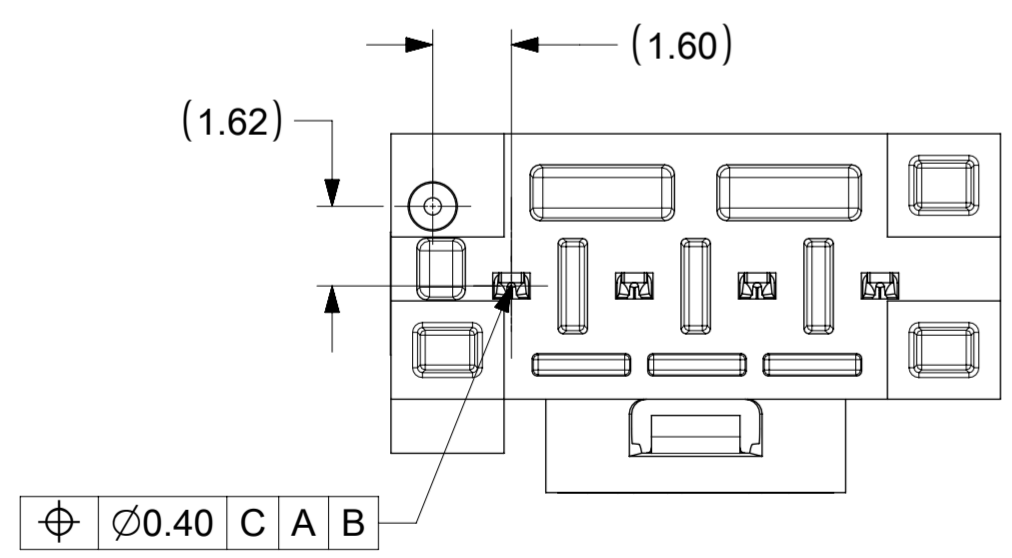
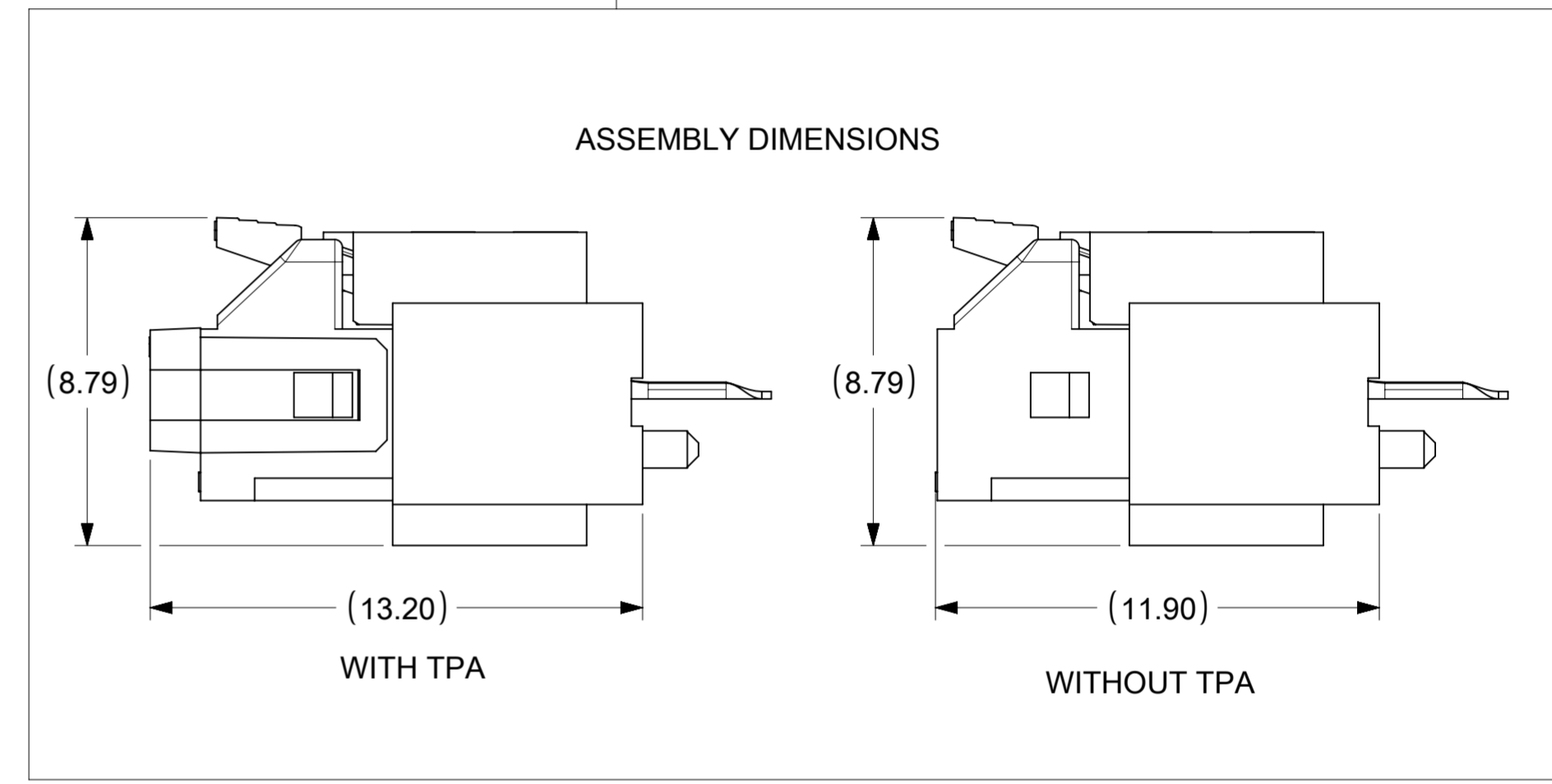
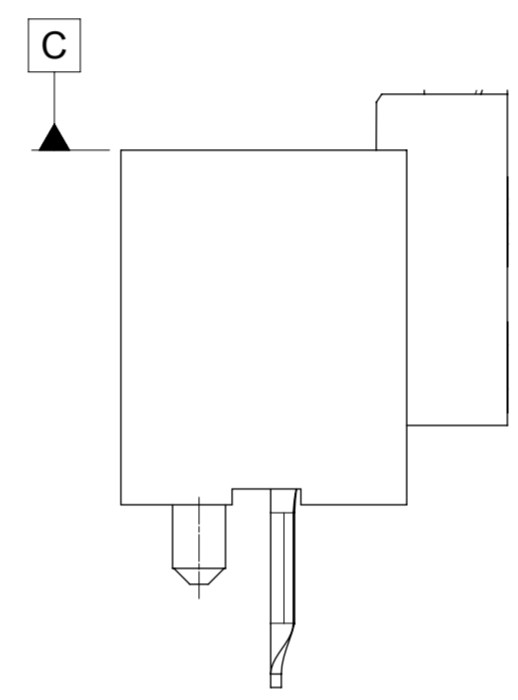
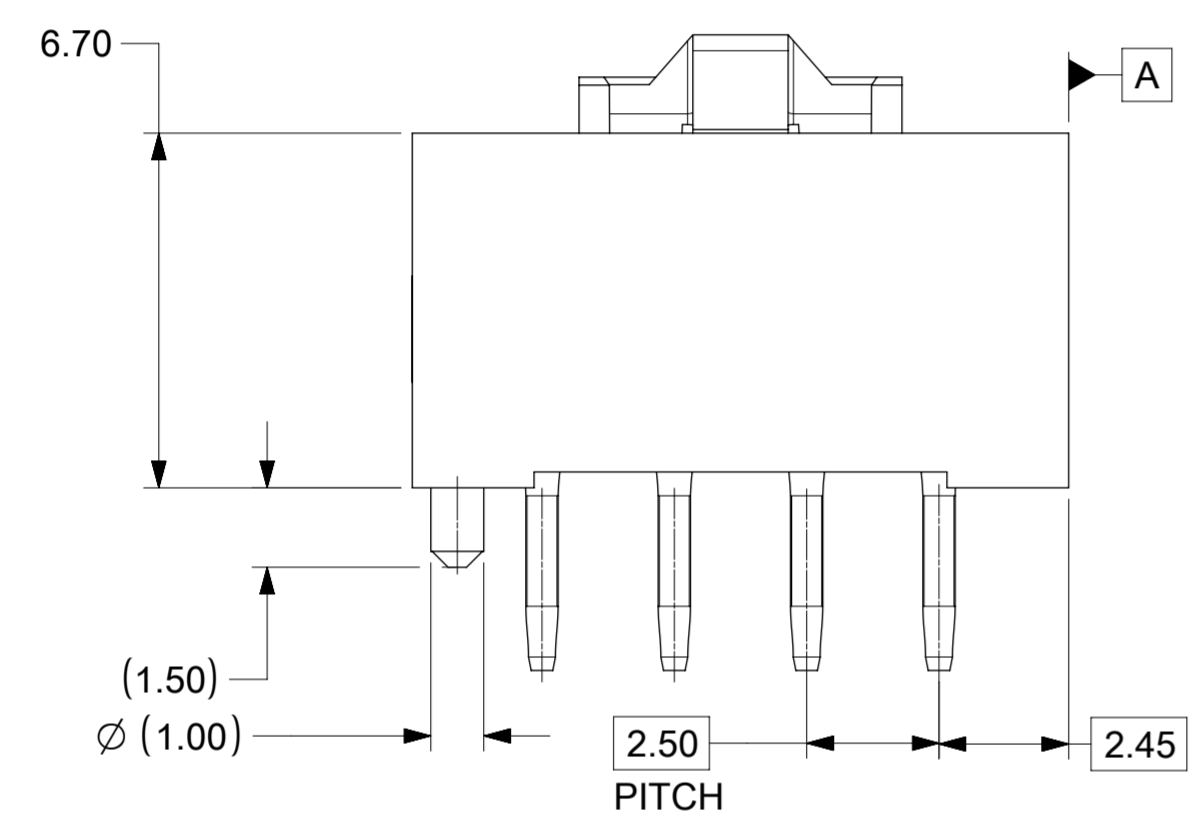


ISOMETRIC VIEW FOR  
4 CKT HEADER ASSEMBLY



CKT SIZE	HEADER ASSEMBLY P/N	DIM. B
2	2078430002	8.00
3	2078430003	9.90
4	2078430004	12.40
5	2078430005	14.90
6	2078430006	17.40
7	2078430007	19.90
8	2078430008	22.40

- NOTES:  
 1. MATERIAL:  
 a. HOUSING: LIQUID CRYSTAL POLYMER, RATED UL 94V-0, COLOUR - BLACK  
 b. TERMINAL: BRASS ALLOY PLATING: TIN OVER NICKEL OVERALL.  
 2. PRODUCT SPECIFICATION: 2079020001-PS  
 3. PACKAGING SPECIFICATION: 2078430000-PK  
 4. COSMETIC SPECIFICATION: PS-45499-002 CLASS B

SYMBOLS	THIS DRAWING CONTAINS INFORMATION THAT IS PROPRIETARY TO MOLEX ELECTRONIC TECHNOLOGIES, LLC AND SHOULD NOT BE USED WITHOUT WRITTEN PERMISSION		
	DIMENSION UNITS	SCALE	CURRENT REV DESC:
▽ = 0	mm	6:1	EC NO: 706742 DRWN: SHRUTJ 2022/04/20 CHK'D: SHRUTJ 2022/05/13 APPR: ISHWARG 2022/05/13 INITIAL REVISION: DRWN: SUDAYGUNAGI 2018/06/19 APPR: ISHWARG 2019/04/16
▽ = 0	GENERAL TOLERANCES (UNLESS SPECIFIED)		
▽ = 0	ANGULAR TOL ± °		
▽ = 0	4 PLACES ±		
▽ = 0	3 PLACES ±		<b>molex</b> HEADER ASSEMBLY FOR KK PLUS 250 PRODUCT CUSTOMER DRAWING
▽ = 0	2 PLACES ± 0.25		
▽ = 0	1 PLACE ± 0.3		DOCUMENT NUMBER
▽ = 0	0 PLACES ±		2078430004-SD
▽ = 0	DRAFT WHERE APPLICABLE MUST REMAIN WITHIN DIMENSIONS		DOC TYPE
▽ = 0	THIRD ANGLE PROJECTION		PSD
▽ = 0	DRAWING		DOC PART
▽ = 0	A2-SIZE		000
▽ = 0	SERIES		REVISION
▽ = 0	207843		A5
▽ = 0	MATERIAL NUMBER		SHEET NUMBER
▽ = 0	CUSTOMER		1 OF 2

