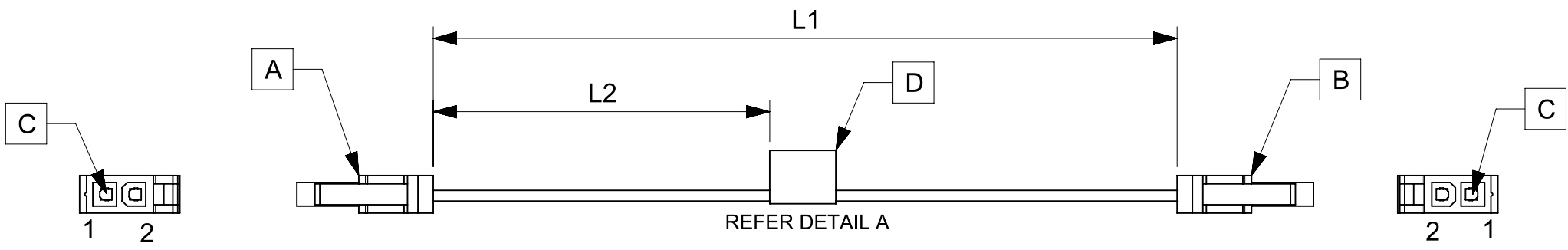


ITEM	PART#	DESCRIPTION	QTY	UOM
A,B	39012025	Mini Fit Jr 2CKT RECP. HSG 555702R210	2	PC
C	39000077	MiniFit Term Crp Fem Chn Bs Tin 16awg	4	PC
D	--	PAPER PRINTED PAPER WHITE	1	PC

FROM	TO	DESCRIPTION	COLOR
A1	B1	1X16AWG DISC PVC BK UL1015 HOOKUP	BLACK
A2	B2	1X16AWG DISC PVC BK UL1015 HOOKUP	BLACK



REFER DETAIL A

TABLE			
PART NUMBER	L1	L2	TITLE
2153251021	150±8	63 REF	MINIFIT JR DR R-R 2 CIRCUIT 150MM Sn
2153251022	300±10	138 REF	MINIFIT JR DR R-R 2 CIRCUIT 300MM Sn
2153251023	600±10	288 REF	MINIFIT JR DR R-R 2 CIRCUIT 600MM Sn

NOTES

1. Cable assembly must pass 100% continuity and polarity test.
2. Connector view shown is from mating side.
3. Label text must be 2mm max. in height with Arial font.
4. Label must be wrapped in flag type on a single cable.

MOLEX P/N
MOLEX
BATCH WK/YR

DETAIL A

REVISION			
DATE	REV	DESCRIPTION	CHANGER
2020/03/19	A	INITIAL RELEASE	ARAJU

FUNCTIONAL SYMBOLS $\frac{E}{A} = 0$ $\frac{E}{E} = 0$ $\frac{E}{P} = 0$ DIVISIONAL SYMBOLS	DIMENSION UNITS: mm SCALE: NTS		CURRENT REV DESC:				
	GENERAL TOLERANCES (UNLESS SPECIFIED)		molex				
	ANGULAR TOL ± °		SEE TABLE				
	4 PLACES ± 3 PLACES ± 2 PLACES ± 1 PLACE ± 0 PLACES ±		PRODUCT CUSTOMER DRAWING				
DRAFT WHERE APPLICABLE MUST REMAIN WITHIN DIMENSIONS		EC NO: 638379 DRWN: ARAJU 2020/03/19 CHK'D: RDESAI01 2020/05/28 APPR: RDESAI01 2020/05/28	INITIAL REVISION: DRWN: ARAJU 2020/03/19 APPR: RDESAI01 2020/05/28	DOCUMENT NUMBER 2153251021	DOC TYPE PSD	DOC PART 000	REVISION A
THIRD ANGLE PROJECTION		DRAWING A4-SIZE	SERIES 215325	MATERIAL NUMBER SEE TABLE	CUSTOMER GENERAL MARKET	SHEET NUMBER 1 OF 1	

RELEASE STATUS	P1	RELEASE DATE	2020/05/28	07:59:21
----------------	----	--------------	------------	----------