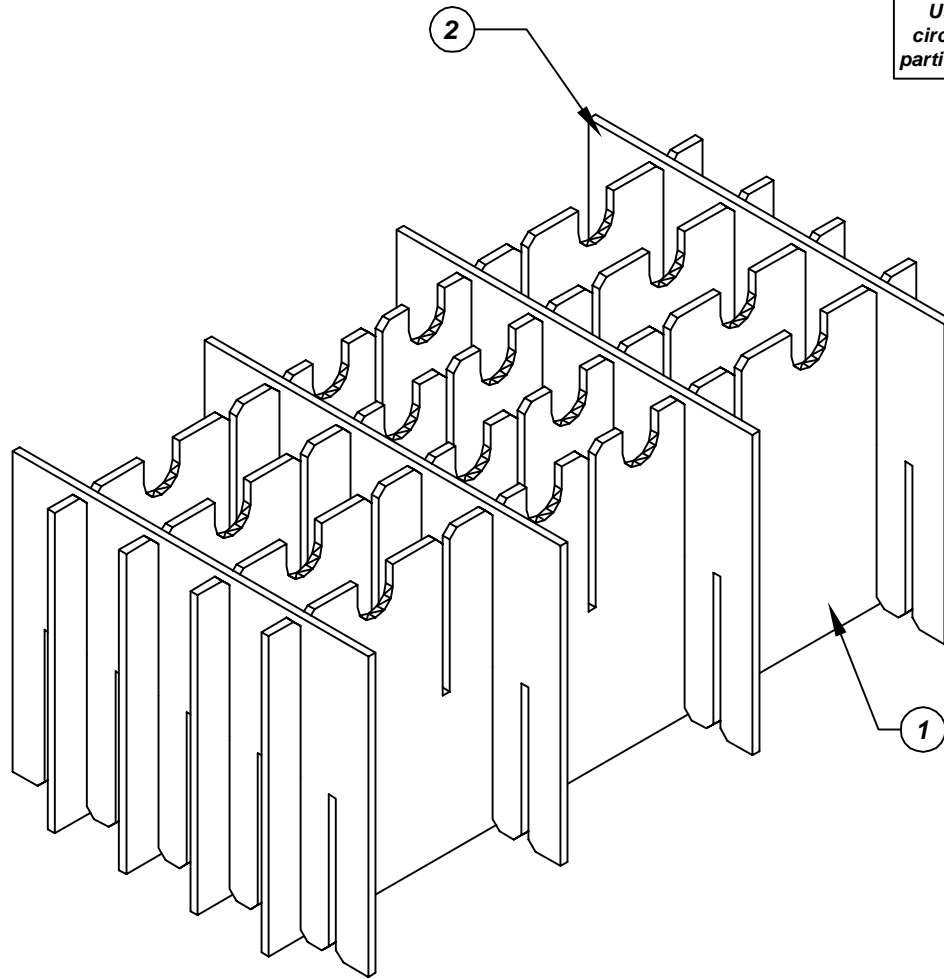
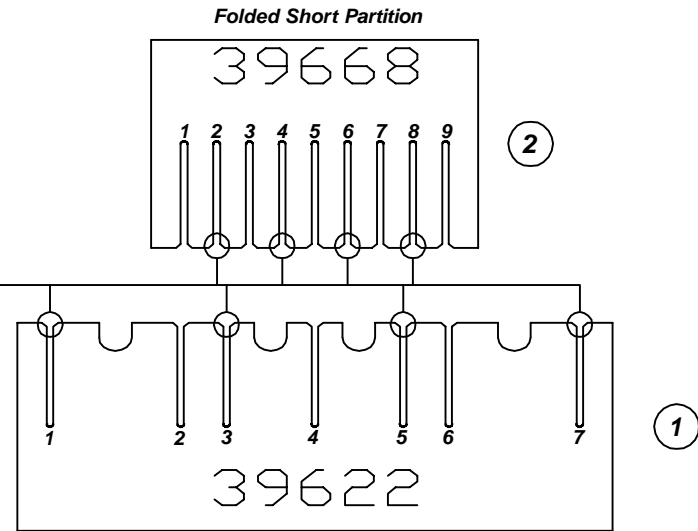


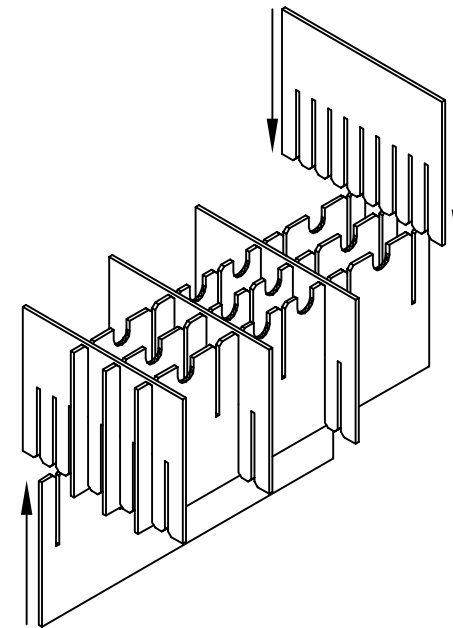
# Assembly Instructions for - 37264



Use only the circled slots for partition assembly



Folded Long Partition



Made in America

|          |                 |                                  |   |           |
|----------|-----------------|----------------------------------|---|-----------|
| F/N<br>① | Part #<br>39622 | Dimensions:<br>19-3/4" x 22-3/4" | Description:<br>404/440-LP Long Partition | Qty:<br>4 |
| F/N<br>② | Part #<br>39668 | Dimensions:<br>19-3/4" x 12-1/2" | Description:<br>440-SP Short Partition    | Qty:<br>4 |

## 37264 - 15 Cell Inplant Handler Cell Size - 10" x 6-1/2" x 2-1/4"

Notes:  
For use with the following storage container & lid:  
37514 - Storage Container  
37552 - Lid

PROTEKTIVE PAK  
13520 MONTE VISTA AVENUE, CHINO, CA 91710  
PHONE (909) 627-2578, FAX (909) 363-7331  
ProtektivePak.com



DRAWING NUMBER  
**IPH-37264**

DATE  
Dec.  
2007