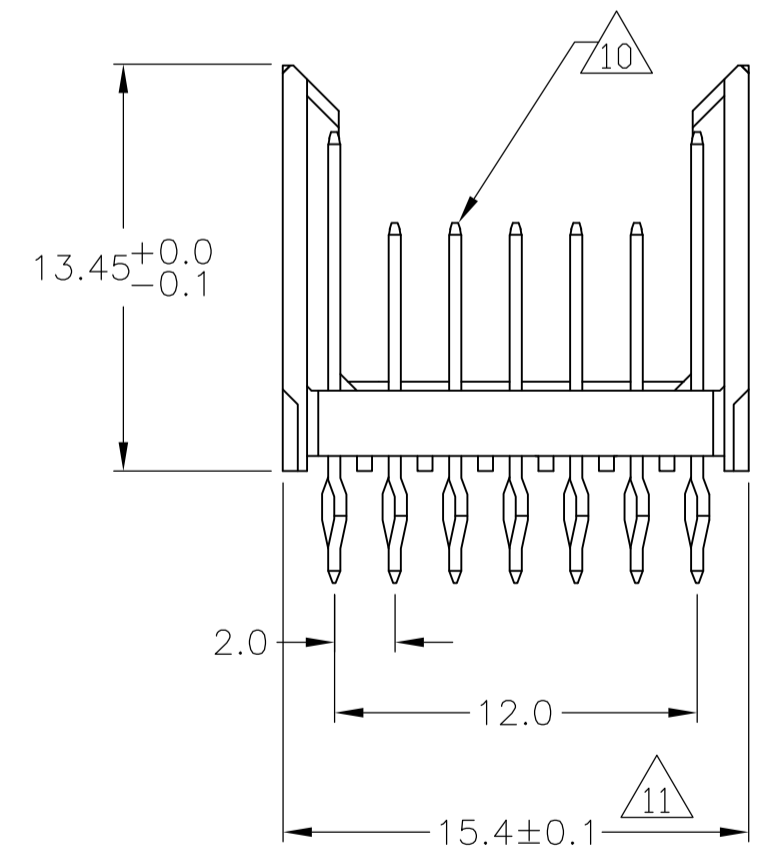
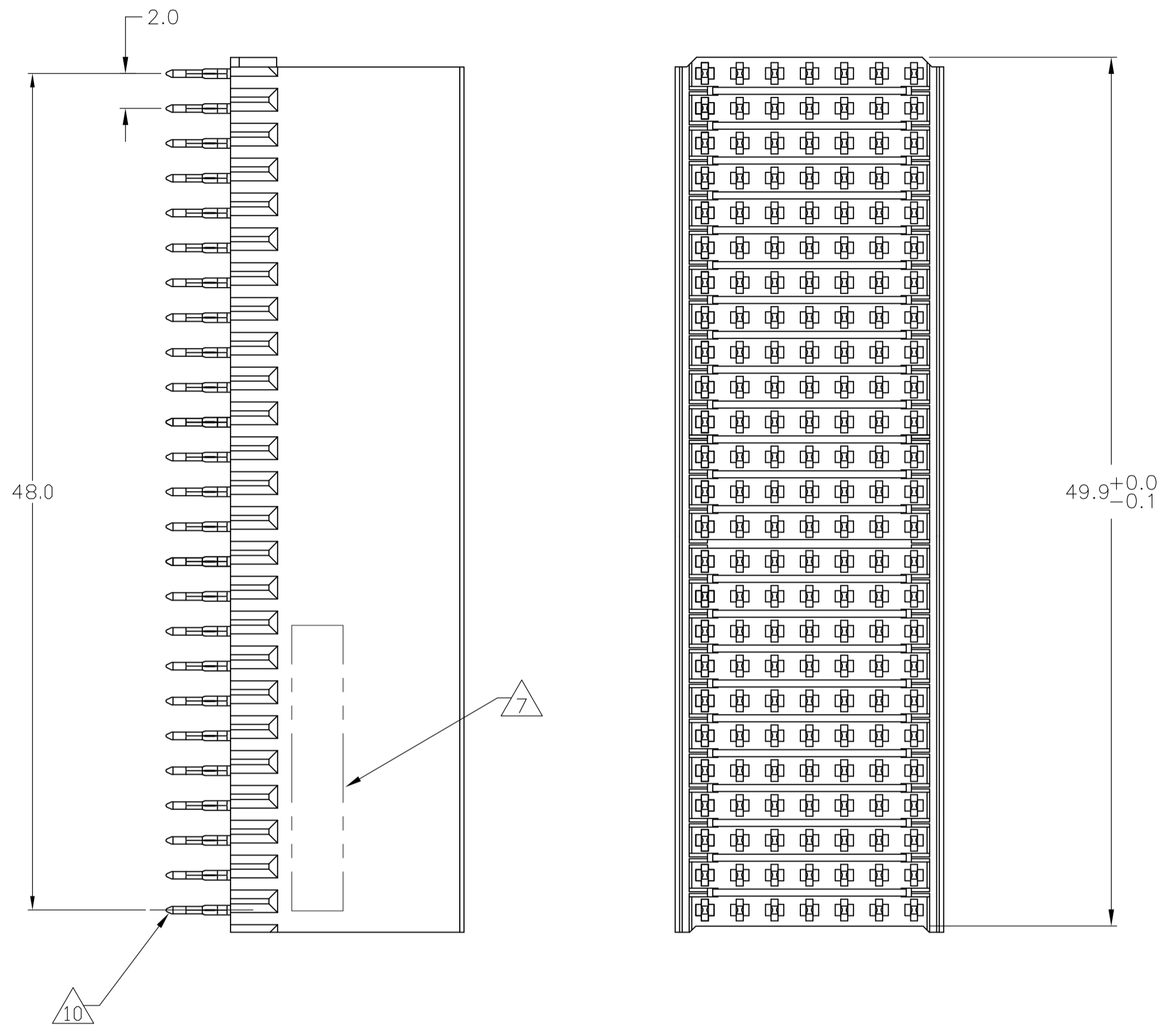
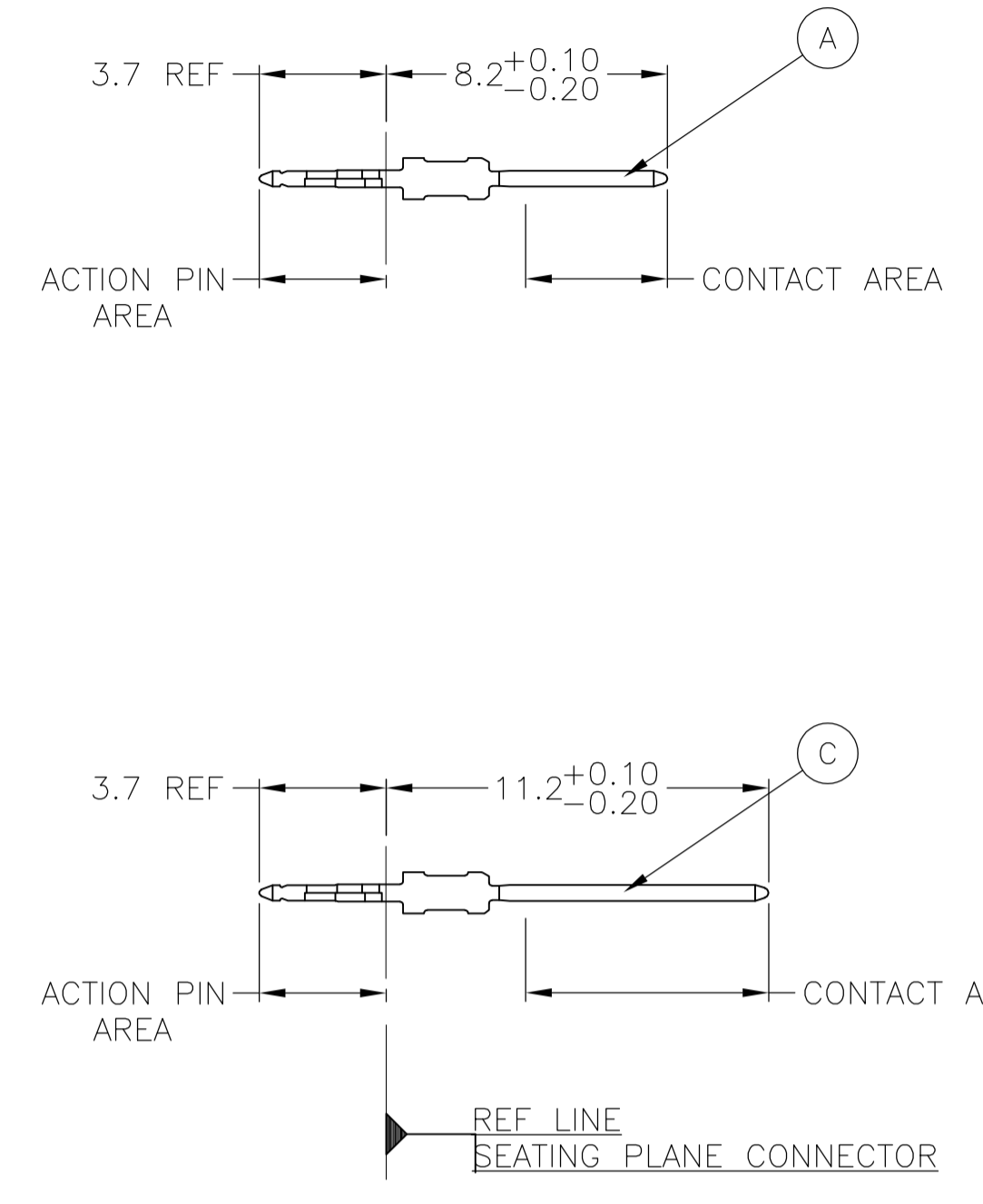


REVISIONS					
P	LTR	DESCRIPTION	DATE	DMN	APVD
E		ECR-16-017973	21DEC2016	WL	SY

CONNECTOR ASSEMBLY EXAMPLARY LOADED $\triangle 9$



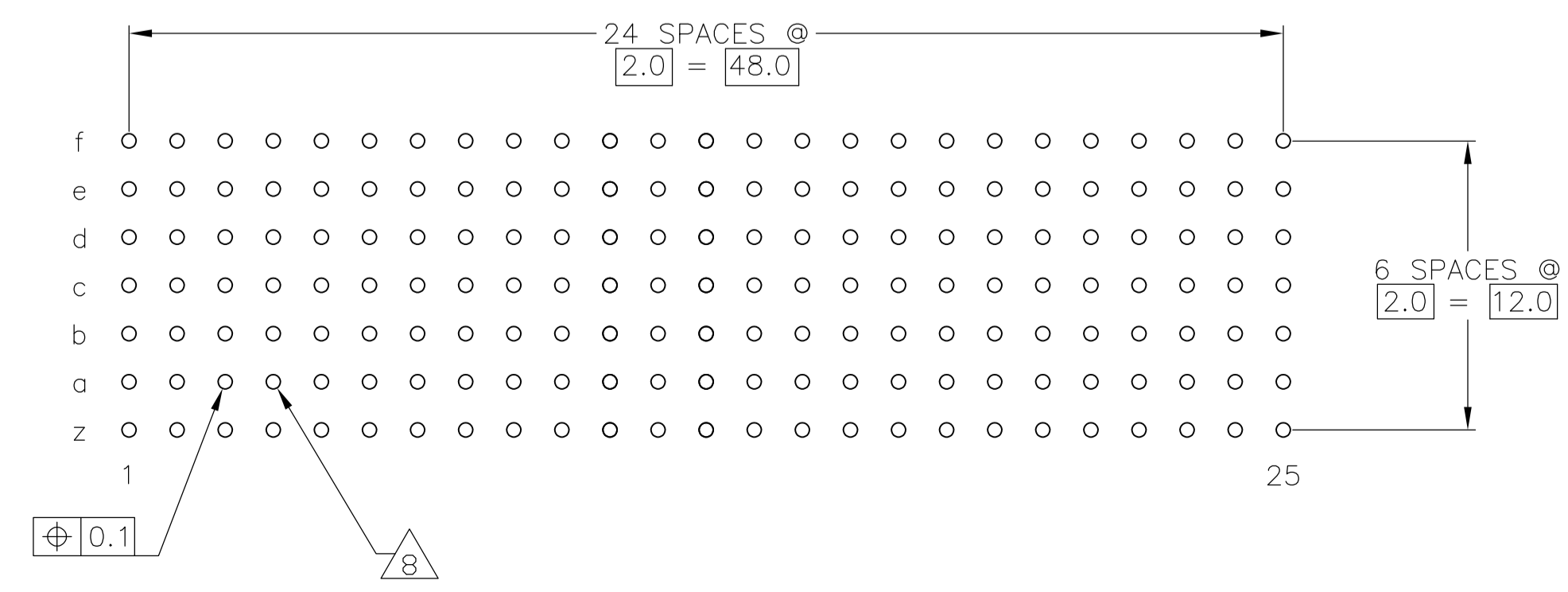
CONTACT DIMENSIONS SCALE 5:1



CONTACT LAYOUT

	z	a	b	c	d	e	f
1	C	A	A	A	A	A	C
2	C	A	A	A	A	A	C
3	C	A	A	A	A	A	C
4	C	A	A	A	A	A	C
5	C	A	A	A	A	A	C
6	C	A	A	A	A	A	C
7	C	A	A	A	A	A	C
8	C	A	A	A	A	A	C
9	C	A	A	A	A	A	C
10	C	A	A	A	A	A	C
11	C	A	A	A	A	A	C
12	C	A	A	A	A	A	C
13	C	A	A	A	A	A	C
14	C	A	A	A	A	A	C
15	C	A	A	A	A	A	C
16	C	A	A	A	A	A	C
17	C	A	A	A	A	A	C
18	C	A	A	A	A	A	C
19	C	A	A	A	A	A	C
20	C	A	A	A	A	A	C
21	C	A	A	A	A	A	C
22	C	A	A	A	A	A	C
23	C	A	A	A	A	A	C
24	C	A	A	A	A	A	C
25	C	A	A	A	A	A	C

RECOMMENDED PCB-HOLE LAYOUT COMPONENT SIDE SHOWN



PLATED THRU HOLES PARAMETERS REFERENCE APPLICATION SPECIFICATION

	$\triangle 2$	$\triangle 3$	$\triangle 13$	3-5100669-0
OBSOLETE	$\triangle 2$	$\triangle 6$	$\triangle 12$	1-5100669-9
	$\triangle 2$	$\triangle 5$	$\triangle 12$	5100669-9
	$\triangle 2$	$\triangle 4$		5100669-4
	$\triangle 2$	$\triangle 3$		5100669-1
	FINISH			PART NUMBER


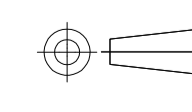
THIS DRAWING IS A CONTROLLED DOCUMENT.

DIMENSIONS: mm	TOLERANCES UNLESS OTHERWISE SPECIFIED:	DIN B CARBO 24JAN05	24JAN05	24JAN05	24JAN05	24JAN05	24JAN05	24JAN05
	0. PLC ± -	DMN G. SKIPPER	DMN G. SKIPPER	DMN G. SKIPPER	DMN G. SKIPPER	DMN G. SKIPPER	DMN G. SKIPPER	DMN G. SKIPPER
	1. PLC ± 0.1	APVD G. SKIPPER	APVD G. SKIPPER	APVD G. SKIPPER	APVD G. SKIPPER	APVD G. SKIPPER	APVD G. SKIPPER	APVD G. SKIPPER
	2. PLC ± -	PRODUCT SPEC	PRODUCT SPEC	PRODUCT SPEC	PRODUCT SPEC	PRODUCT SPEC	PRODUCT SPEC	PRODUCT SPEC
	3. PLC ± -	108-19082	108-19082	108-19082	108-19082	108-19082	108-19082	108-19082
	4. PLC ± -	APPLICATION SPEC	APPLICATION SPEC	APPLICATION SPEC	APPLICATION SPEC	APPLICATION SPEC	APPLICATION SPEC	APPLICATION SPEC
	ANGLES ± -	114-19029	114-19029	114-19029	114-19029	114-19029	114-19029	114-19029
MATERIAL $\triangle 1$	FINISH SEE TABLE	WEIGHT 0	WEIGHT 0	WEIGHT 0	WEIGHT 0	WEIGHT 0	WEIGHT 0	WEIGHT 0
		SIZE A1	SIZE A1	SIZE A1	SIZE A1	SIZE A1	SIZE A1	SIZE A1
		CAGE CODE 00779	CAGE CODE 00779	CAGE CODE 00779	CAGE CODE 00779	CAGE CODE 00779	CAGE CODE 00779	CAGE CODE 00779
		DRAWING NO. 5100669	DRAWING NO. 5100669	DRAWING NO. 5100669	DRAWING NO. 5100669	DRAWING NO. 5100669	DRAWING NO. 5100669	DRAWING NO. 5100669
		RESTRICTED TO -	RESTRICTED TO -	RESTRICTED TO -	RESTRICTED TO -	RESTRICTED TO -	RESTRICTED TO -	RESTRICTED TO -
		CUSTOMER DRAWING	CUSTOMER DRAWING	CUSTOMER DRAWING	CUSTOMER DRAWING	CUSTOMER DRAWING	CUSTOMER DRAWING	CUSTOMER DRAWING
		SCALE 4:1	SCALE 4:1	SCALE 4:1	SCALE 4:1	SCALE 4:1	SCALE 4:1	SCALE 4:1
		SHEET 1 OF 2	SHEET 1 OF 2	SHEET 1 OF 2	SHEET 1 OF 2	SHEET 1 OF 2	SHEET 1 OF 2	SHEET 1 OF 2
		REV E	REV E	REV E	REV E	REV E	REV E	REV E

THIS DRAWING IS UNPUBLISHED. RELEASED FOR PUBLICATION
 © COPYRIGHT - By - ALL RIGHTS RESERVED.

REVISIONS					
P	LTR	DESCRIPTION	DATE	DMN	APVO
-		SEE SHEET 1	-	-	-

- 1 MATERIAL:
CONTACT: PHOSPHOR BRONZE.
HOUSING: GLASS-FILLED POLYESTER.
- 2 GENERAL PLATING SPECIFICATION: UNDERPLATING
(ENTIRE CONTACT): 1.27µm MIN NICKEL AND ACTION
PIN: 0.5µm MIN TIN.
FOR PLATING OF MATING SURFACES SEE APPLICABLE
SPECIFICATION REFERENCE FOR EACH DASH NUMBER.
- 3 CONFORMS TO ALL TESTING ACCORDING TO IEC 61076-4-101
PERFORMANCE LEVEL 2.
- 4 CONFORMS TO ALL TESTING ACCORDING TO IEC 61076-4-101
PERFORMANCE LEVEL 1.
- 5 CONNECTOR TESTED AND QUALIFIED AGAINST TELCORDIA GR-1217-CORE QUALITY LEVEL 3,
CENTRAL OFFICE APPLICATIONS.
- 6 CONNECTOR TESTED AND QUALIFIED AGAINST TELCORDIA GR-1217-CORE QUALITY LEVEL 3,
UNCONTROLLED ENVIROMENT APPLICATIONS.
- 7 CONNECTOR MARKED WITH PART NUMBER AND DATE CODE.
ADDITIONAL CHARACTERS OR MARKINGS, AS WELL AS THE LOCATION OF THE MARKINGS,
MAY BE ADDED FOR TRACEABILITY BASED UPON MANUFACTURERS DISCRETION.
- 8 PLATED-THROUGH HOLES AT 2x2mm SQUARE GRID
PATTERN DEFINED BY CONTACT LAYOUT.
- 9 FOR ACTUAL PIN LOADING SEE "CONTACT LAYOUT".
- 10 FOR ACTUAL PIN DIMENSIONS SEE "CONTACT DIMENSIONS".
- 11 TO BE MEASURED AT BOTTOM OF SHROUD.
- 12 CONNECTOR LUBRICATED WITH BELCORE APPROVED LUBRICANT,
TECHNICAL REFERENCE: TR-NWT-001217 ISSUE 1, SEP 1992.
- 13 0.76µm MIN GOLD PLATING ON MATING SURFACE.

THIS DRAWING IS A CONTROLLED DOCUMENT.		DIN E CARBO 24JAN05	 TE Connectivity				
		CIK G SKIPPER 24JAN05					
DIMENSIONS: mm		APVO G SKIPPER 24JAN05	NAME MALE ASSEMBLY, Z-PACK 2mm HM, TYPE B				
		PRODUCT SPEC 108-19082					
0 PLC ± - 1 PLC ± 0.1 2 PLC ± - 3 PLC ± - 4 PLC ± - ANGLES ± ± -		APPLICATION SPEC 114-19029	SIZE A1	CAGE CODE 00779	DRAWING NO 5100669	RESTRICTED TO -	
MATERIAL SEE SHEET 1	FINISH SEE SHEET 1	WEIGHT -	CUSTOMER DRAWING		SCALE 4:1	SHEET 2 OF 2	REV E