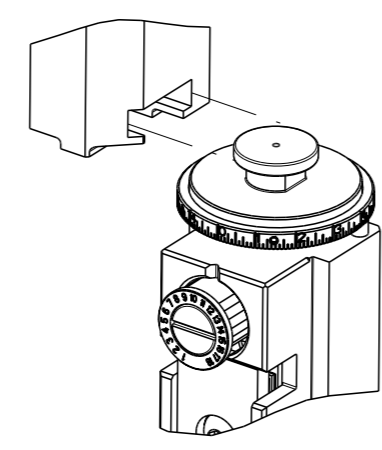


PART NUMBER	REVISION	DESCRIPTION	FEED TYPE
2266122-1	C	FINE CRIMP HEIGHT ADJUST	MECHANICAL
2266122-2	C	FINE CRIMP HEIGHT ADJUST	PNEUMATIC
7-2266122-1	C	MECHANICAL AND CRIMP TOOLING KIT	MECHANICAL
7-2266122-2	C	PNEUMATIC AND CRIMP TOOLING KIT	PNEUMATIC
7-2266122-7	B	CRIMP TOOLING KIT	-
7-2266122-8	B	APPLICATOR CONVERSION KIT	- ⁵

ATLANTIC VERSION TERMINATOR INTERFACE ADAPTER



APPLICATOR DATA

CRIMP	SIZE	TYPE
WIRE	1.88 mm [.074]	F
INSUL	2.29 mm [.090]	O

APPLICATOR INSTRUCTIONS
408-35042

⁵ APPLICATOR CONVERSION KITS

PART NUMBER	INSULATION DIAMETER RANGE
7-2266121-8	Ø2.74-3.18mm [.108-.125]
7-2266122-8	Ø2.31-2.72mm [.091-.107]
7-2266123-8	Ø1.91-2.29mm [.075-.090]

TERMINAL DATA: DEUTSCH TERMINAL DEUTSCH CRIMP SPECIFICATION

TERMINAL NAME: STAMPED CONTACT PIN SIZE 20

WIRE STRIP LENGTH	INSULATION DIAMETER RANGE
3.81-5.09 mm [.150-.200 IN]	Ø2.31-2.72 mm [.091-.107 IN]

TERMINAL APPLICATION SPECIFICATION

TERMINALS APPLIED ⁶

TE TERMINAL	DEUTSCH TERMINAL	TE TERMINAL	DEUTSCH TERMINAL
2113369-1	1060-20-0622	2113369-2	1060-20-0644
2113369-3	1060-20-0677		

TERMINAL DATA: DEUTSCH TERMINAL DEUTSCH CRIMP SPECIFICATION

TERMINAL NAME: STAMPED CONTACT SOCKET SIZE 20

WIRE STRIP LENGTH	INSULATION DIAMETER RANGE
3.81-5.09 mm [.150-.200 IN]	Ø2.31-2.72 mm [.091-.107 IN]

TERMINAL APPLICATION SPECIFICATION

TERMINALS APPLIED ⁶

TE TERMINAL	DEUTSCH TERMINAL	TE TERMINAL	DEUTSCH TERMINAL
2113370-1	1062-20-0622	2113370-2	1062-20-0644
2113370-3	1062-20-0677		

WIRE SIZE	CRIMP HEIGHT mm [INCH]	CRIMP HEIGHT REFERENCE SETTING
2.50mm2	1.68+0.03/-0.05 [.066+.001/-0.002]	8.4
14 AWG	1.65+0.03/-0.05 [.065+.001/-0.002]	8.6
1.50mm2	1.60+0.03/-0.05 [.063+.001/-0.002]	8.9
16 AWG	1.55+0.03/-0.05 [.061+.001/-0.002]	9.3
1.00mm2	1.55+0.03/-0.05 [.061+.001/-0.002]	9.3

- ¹ RECOMMENDED SPARE PARTS
- ² REFER TO SUPPLIED INSTRUCTION SHEET FOR CLEANING, LUBRICATION AND STORAGE OF APPLICATOR.
- ³ APPLY PART NUMBER 2-23419-6 LOCTITE TO THREADS OF ITEM 242.
- ⁴ CRIMP HEIGHT REFERENCE SETTING WAS THE SETTING USED WHEN THE APPLICATOR WAS QUALIFIED AT THE FACTORY. ADJUSTMENT MAY BE NECESSARY WHEN RUNNING APPLICATOR IN THE FIELD.
- ⁵ SEE APPROPRIATE APPLICATOR LOG SHEETS FOR APPLIED TERMINALS, WIRE RANGE AND MEMORY CHIP.
- ⁶ TERMINAL LUBRICANT IS RECOMMENDED.
- 7. UNLESS SPECIFIED OTHERWISE TORQUE VALUES SHALL BE USED PER DOCUMENT, 101-35000.

***WARNING**
 ON INSTALLATION, SET WIRE DISC TO CRIMP HEIGHT REFERENCE SETTING FOR LARGEST WIRE SIZE. CRIMP HEIGHT REFERENCE SETTINGS GREATER THAN THE VALUE SHOWN MAY CAUSE DAMAGE TO THE CRIMP TOOLING, REFER TO THE INSTRUCTION SHEET FOR PROPER SETUP AND ADJUSTMENTS.

LOC	DIST	REV	DESCRIPTION	DATE	OWN	APVD
A	66	B	ECR-16-002893	25FEB2016	MR	GB
		B1	ECR-16-017661	14DEC2016	MZ	JDG
		B2	ECR-17-006161	25MAY2017	YY	KZ
		C	ECR-19-006423	22APR2019	JAH	TE

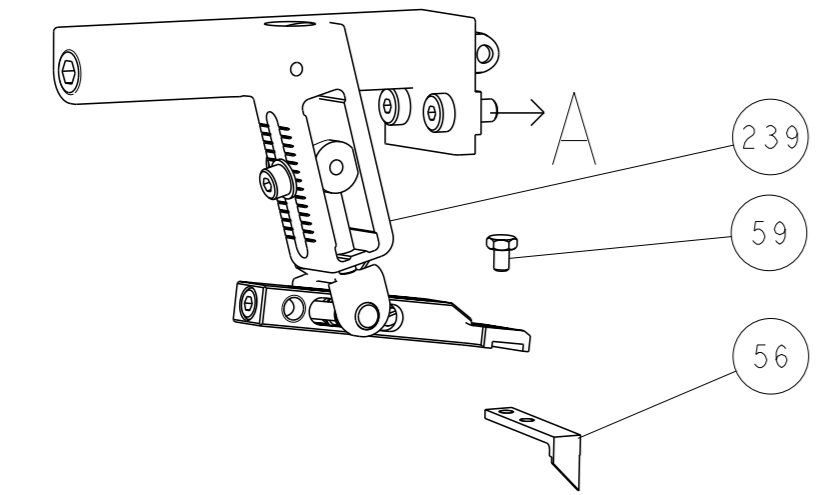
-	-	1	1	1	1	2119791-9	DEPRESSOR, WIRE	286
-	-	1	-	1	-	2119640-1	PUSH ROD, AIR FEED	250
-	-	1	-	1	-	1803259-1	BUSHING, FLANGED	249
-	-	1	-	1	-	2119641-1	FEED CAM, AIR FEED	248
-	-	1	1	1	1	2119082-9	CAM, SNAIL, INSULATION ADJUSTMENT	244
-	-	1	1	1	1	2079764-1	WASHER, WAVE SPRING, CREST-TO-CREST	243
-	-	1	1	1	1	2119083-1	RETAINER, INSULATION DIAL	242
-	-	1	1	1	1	7-18023-7	SCR, SKT HD CAP M3 X 4.0	241
-	-	-	1	-	1	2119580-1	MECHANICAL FEED ASSEMBLY	239
-	-	1	-	1	-	2063440-1	AIR FEED MODULE	238
-	-	2	-	2	-	21045-3	RING, RETAIN, EXTERN, 3/16 CRESCENT	172
-	-	REF	REF	REF	REF	994970-2	COUNTER, MAGNETIC	164
-	-	1	-	1	-	240638-1	SPRING, FEED FINGER	163
-	-	1	-	1	-	3-23627-7	PIN, RETAIN, GRVD, 3/16 X .854	137
-	-	1	-	1	-	2119799-1	HOLDER, FEED FINGER, AF	136
-	-	1	1	1	1	1-18028-2	WASHER, FLAT, REG M4	119
-	-	1	1	1	1	2119955-1	ASSY, LUBRICATOR, SIDE FEED	113
-	-	1	1	1	1	2844908-1	SCREW, LOCKING	99
-	-	1	1	1	1	2844907-1	POST, LOCKING	98
-	-	1	1	1	1	455888-6	SPACER, CRIMPER	82
1	-	-	-	-	-	2266122	PRINT, APPLICATOR LOG SHEET	72
-	-	1	1	1	1	1803607-1	DOCUMENTATION PACKAGE	71
-	-	1	1	1	1	2119791-9	DEPRESSOR, WIRE	70
-	-	1	1	1	1	2119943-1	WASHER, SPACER	69
-	-	1	1	1	1	2119740-1	TAG, IDENTIFICATION	67
-	-	2	2	2	2	2168078-1	SCREW, DRIVE, RH, RoHS, 2 x .188	66
-	-	1	1	1	1	2168083-2	SCR, SKT HD CAP, RoHS, M4 X 8.0	60
-	-	1	1	1	1	5-18022-5	SCR, HEX HD CAP, M4 X 6.0	59
-	-	1	1	1	1	1338685-1	PAWL, FEED	56
-	-	4	4	4	4	2168083-3	SCR, SKT HD CAP, RoHS, M4 X 12.0	54
-	-	2	2	2	2	1-2168083-0	SCR, SKT HD CAP, RoHS, M4 X 10	53
-	-	1	1	1	1	5018030-1	NUT, HEX, REG, RoHS, M3	52
-	-	1	1	1	1	811242-5	BUMPER, HOLD DOWN	51
-	-	1	1	1	1	690753-2	SPACER, TONKER	50
-	-	1	2	1	2	18023-9	SCR, SKT HD CAP M4 X 6.0	49
-	-	-	1	-	1	2119652-1	FEED CAM, PRE FEED	48
-	-	-	1	-	1	2119653-1	FEED CAM, POST FEED	47
-	-	1	1	1	1	1803583-9	APPLICATOR BASIC ASSEMBLY, SF	46
-	-	1	1	1	1	1803515-1	RAM ASSEMBLY, SF ATLANTIC	44
-	-	1	1	1	1	1803602-1	SCR, BHSC, RoHS (M8 X 25)	41
-	-	1	1	1	1	2-1752356-0	SUPPORT, TERMINAL	34
-	-	2	2	2	2	2079383-5	SCR, BHSC, RoHS (M4 X 20)	33
-	-	2	2	2	2	2-2844962-8	SPACER, CYLINDRICAL, STRIP GUIDE	30
-	-	1	1	1	1	2844992-1	ASSEMBLY, STRIP GUIDE	29
-	-	1	1	1	1	1320928-2	STRIP GUIDE	24
-	-	1	1	1	1	2168083-2	SCR, SKT HD CAP, RoHS, M4 X 8.0	21
-	-	1	1	1	1	1-18028-2	WASHER, FLAT, REG M4	20
-	-	1	1	1	1	2119533-1	STRIPPER, SIDE FEED	19
-	-	1	1	1	1	2119806-1	INSERT, SHEAR	13
-	-	1	1	1	1	3-22280-3	SPRING, COMPRESSION	12
-	-	1	1	1	1	1-356885-4	STOP, SHEAR	11
-	-	1	1	1	1	2119805-1	SHEAR HOLDER, FRONT	10
-	-	1	1	1	1	1803095-1	FLOATING SHEAR, FRONT	9
1	1	2	2	1	1	1-1803293-8	ANVIL, COMBINATION DEUTSCH STYLE	8
-	-	-	-	-	-	-	-	7
-	-	-	-	-	-	-	-	6
-	-	1	1	1	1	2119757-8	DEPRESSOR, SHEAR	5
-	-	1	1	1	1	238011-9	BLOCK, CRIMPER SPACER	4
1	1	2	2	1	1	1803019-5	CRIMPER, INSULATION O	3
-	-	1	1	1	1	455888-3	SPACER, CRIMPER	2
1	-	2	2	1	1	4-1333281-8	CRIMPER, WIRE PREMIUM	1

ATLANTIC VERSION
 Shown on sheets 1 of 4 & 2 of 4
 (Pacific version shown on sheets 3 of 4 & 4 of 4)

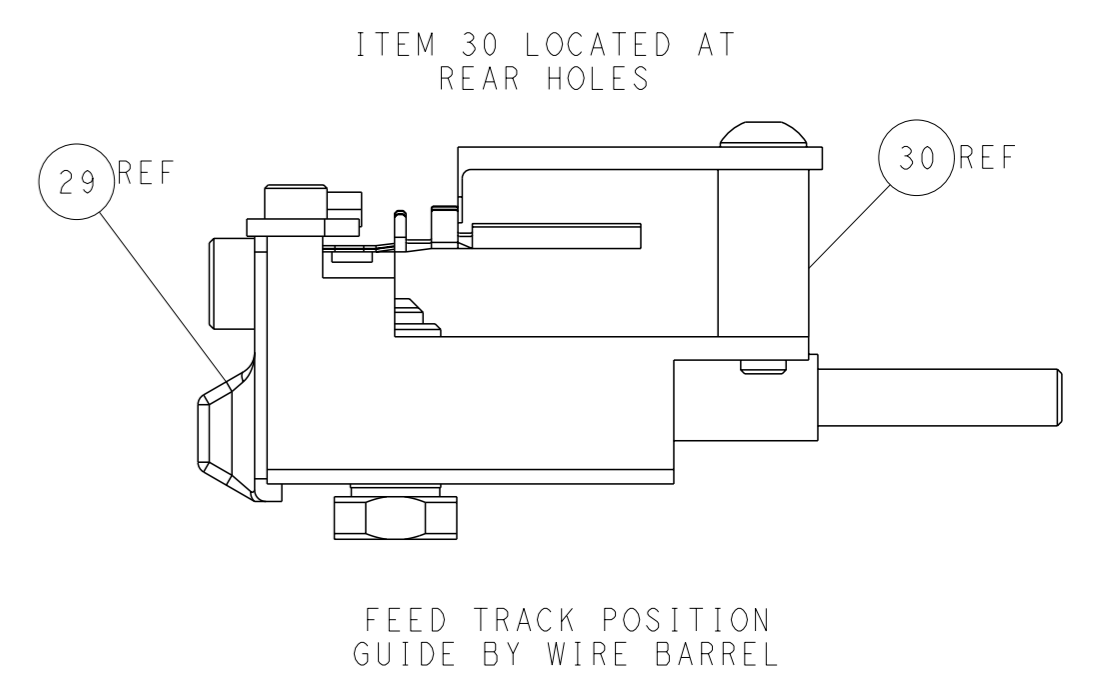
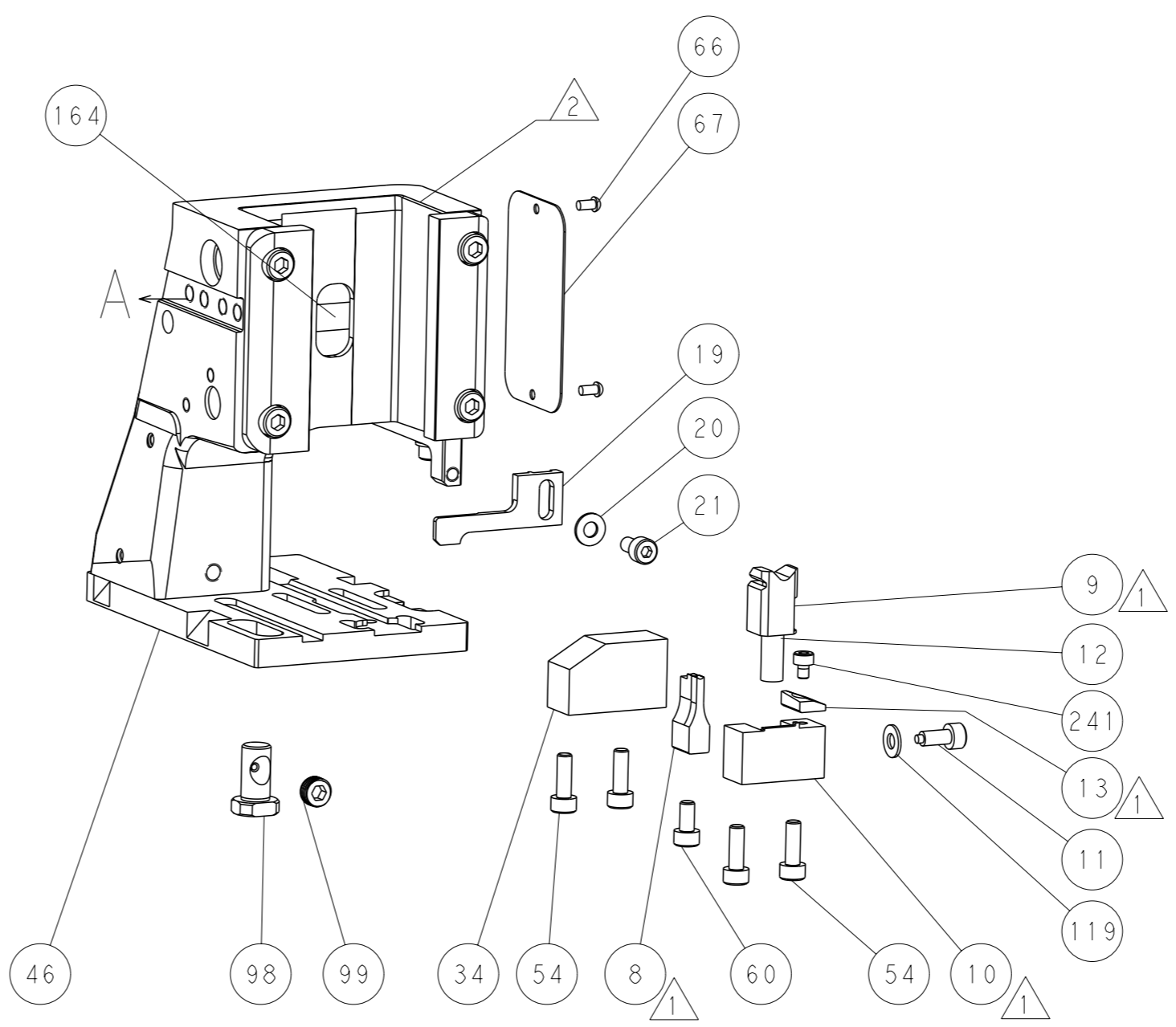
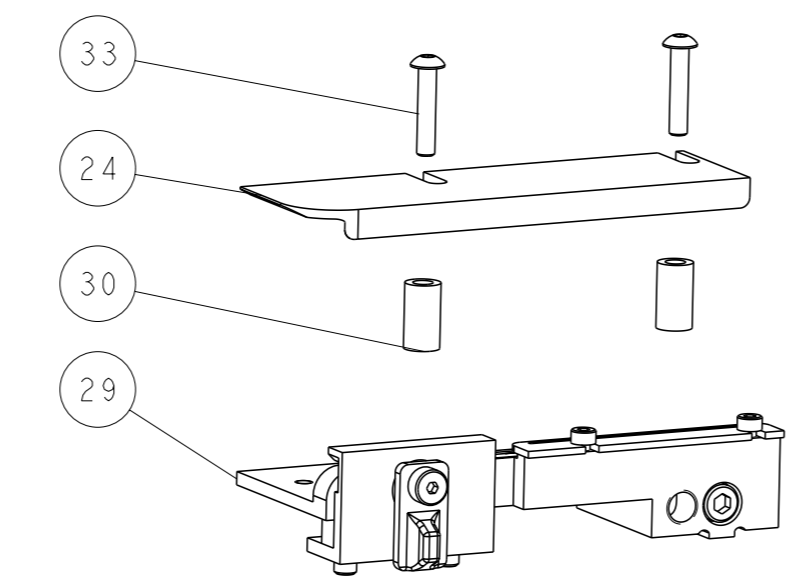
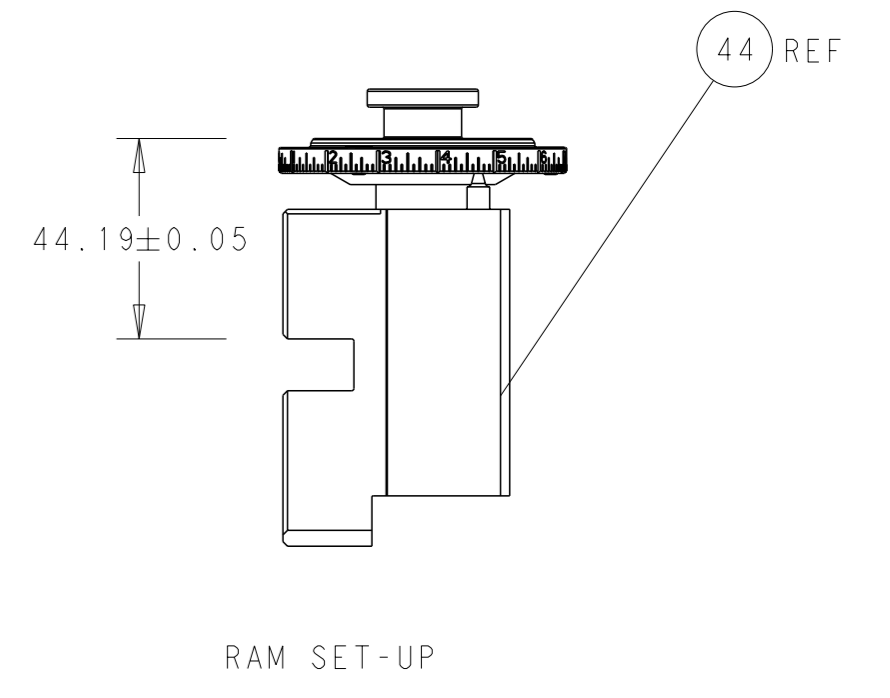
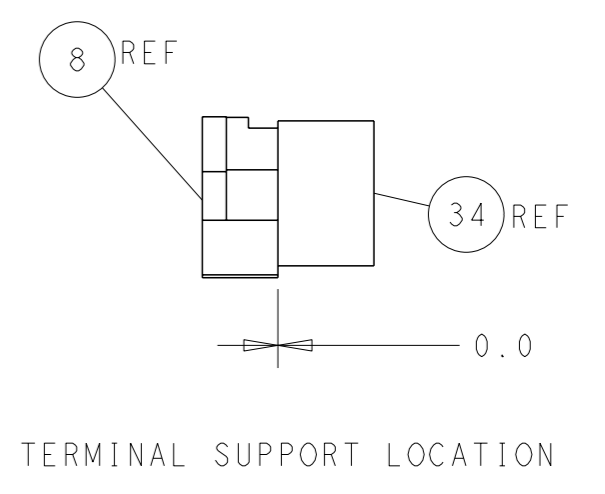
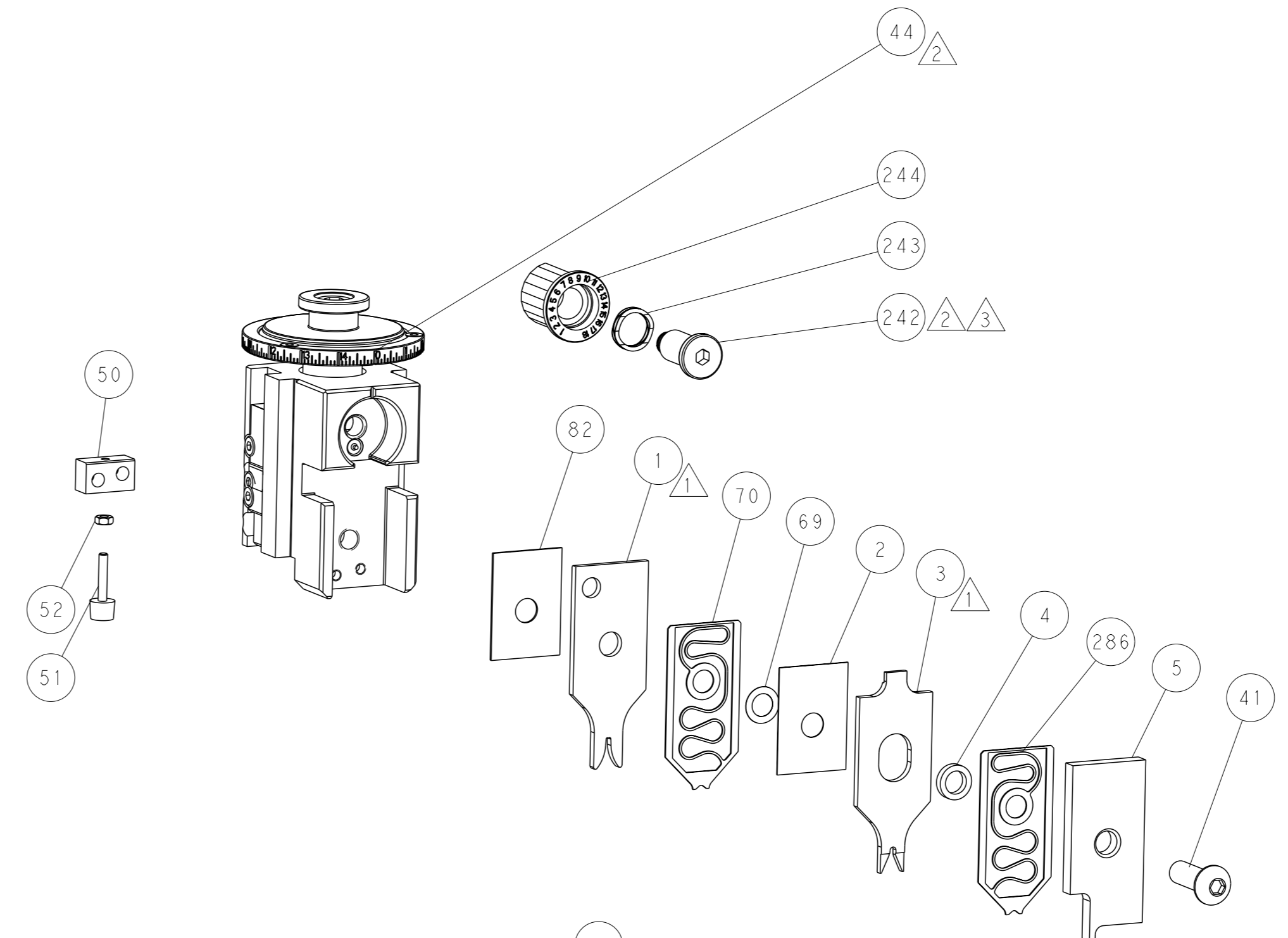
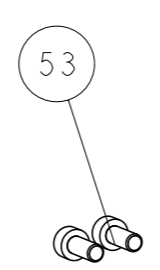
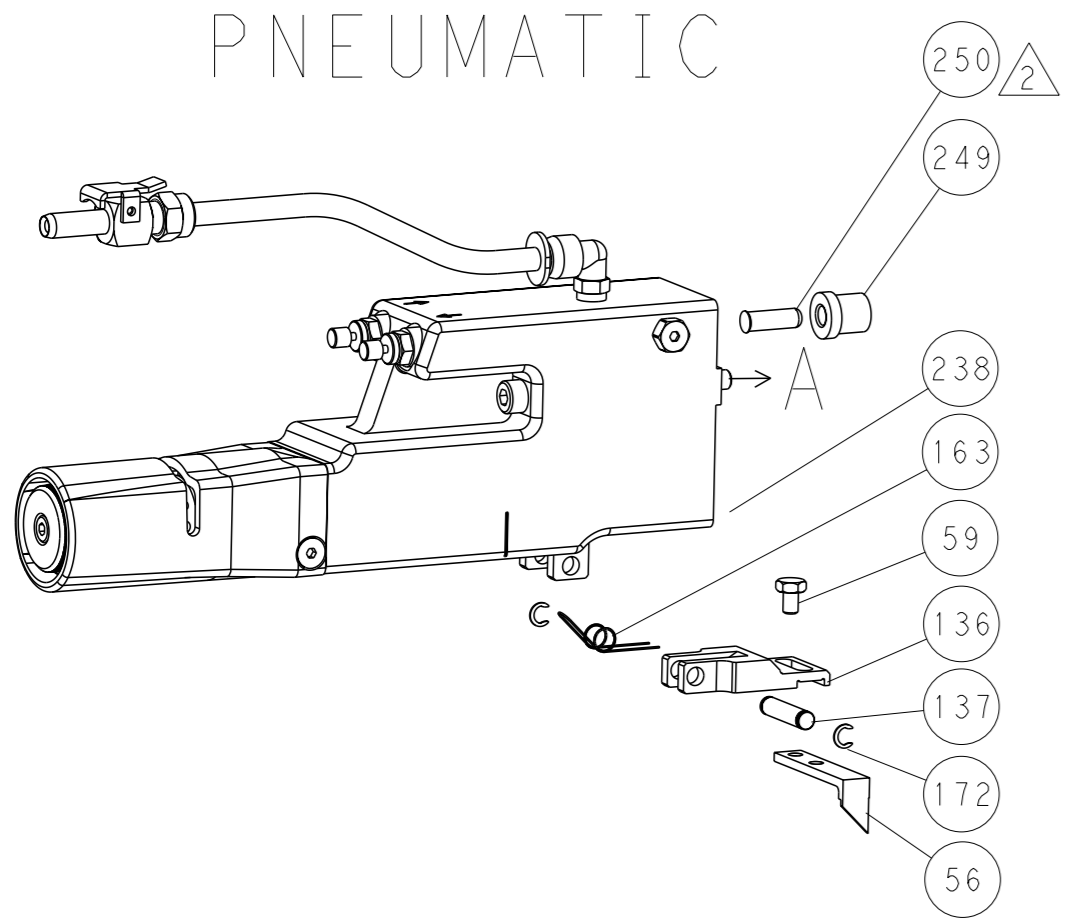
DIMENSIONS:	TOLERANCES UNLESS OTHERWISE SPECIFIED:	OWN	CHK	APVD	DATE	NAME	SIZE	CAGE CODE	DRAWING NO	RESTRICTED TO
mm	0 PLC ± 2 PLC ± 3 PLC ± 4 PLC ± ANGLES ±	R. KNEPPER	G. BAILEY	M. CLIFFORD	29-Jan-14	Ocean Side Feed Applicator	A1	00779	2266122	Customer Accessible Production Drawing

LOC	DIST	REVISIONS			
A	66	REV	DATE	OWN	APVD
		-	SEE SHEET 1	-	-

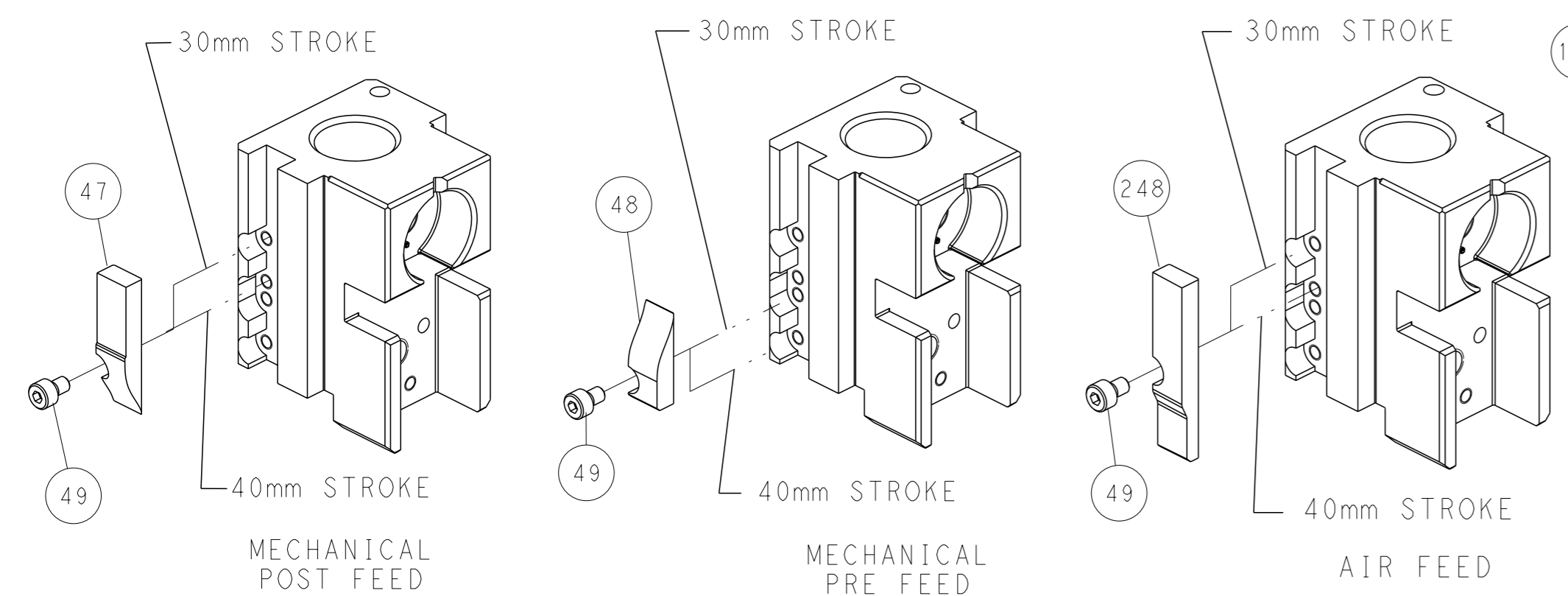
FEED TYPE MECHANICAL



PNEUMATIC



CAM POSITIONS

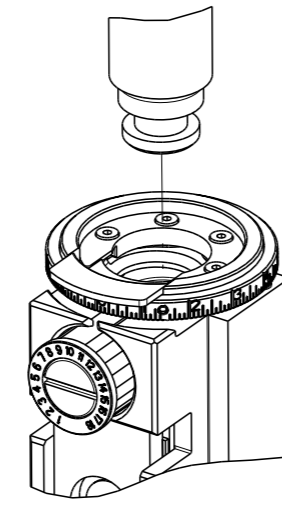


ATLANTIC VERSION
 Shown on sheets 1 of 4 & 2 of 4
 (Pacific version shown on sheets 3 of 4 & 4 of 4)

<small>THIS DRAWING IS A CONTROLLED DOCUMENT FOR TYCO ELECTRONICS CORPORATION. IT IS SUBJECT TO CHANGE AND THE CONTROL AND REVISIONS DISPOSITION SHOULD BE CONTACTED FOR THE LATEST REVISION.</small>		OWN: R. KNEPPER CHK: G. BAILEY APVD: M. CLIFFORD PRODUCT SPEC:	DATE: 29-Jan-14 DATE: 29-Jan-14 DATE: 29-Jan-14 NAME:	TE Connectivity Harrisburg, PA 17105-3608
DIMENSIONS: mm TOLERANCES UNLESS OTHERWISE SPECIFIED: 0 PLC ± 1 PLC ± 2 PLC ± 3 PLC ± 4 PLC ± ANGLES FINISH ±	WEIGHT: - SCALE: 1:2 SHEET: 2 of 4 REV: C	NAME: Ocean Side Feed Applicator SIZE: A1 CAGE CODE: 00779 DRAWING NO: ©=2266122	RESTRICTED TO: -	CUSTOMER ACCESSIBLE PRODUCTION DRAWING

PART NUMBER	REVISION	DESCRIPTION	FEED TYPE
2-2266122-1	C	FINE CRIMP HEIGHT ADJUST	MECHANICAL
2-2266122-2	C	FINE CRIMP HEIGHT ADJUST	PNEUMATIC
7-2266122-7	B	CRIMP TOOLING KIT	-
7-2266122-8	B	APPLICATOR CONVERSION KIT	-

PACIFIC VERSION TERMINATOR
INTERFACE ADAPTER



APPLICATOR DATA		
CRIMP	SIZE	TYPE
WIRE	1.88 mm [.074]	F
INSUL	2.29 mm [.090]	O
APPLICATOR INSTRUCTIONS 408-35042		

APPLICATOR CONVERSION KITS	
PART NUMBER	INSULATION DIAMETER RANGE
7-2266121-8	Ø 2.74-3.18mm [.108-.125]
7-2266122-8	Ø 2.31-2.72mm [.091-.107]
7-2266123-8	Ø 1.91-2.29mm [.075-.090]

TERMINAL DATA: DEUTSCH TERMINAL DEUTSCH CRIMP SPECIFICATION			
TERMINAL NAME: STAMPED CONTACT PIN SIZE 20			
WIRE STRIP LENGTH		INSULATION DIAMETER RANGE	
3.81-5.09 mm [.150-.200 IN]		Ø 2.31-2.72 mm [.091-.107 IN]	
TERMINAL APPLICATION SPECIFICATION		114-151003	
TERMINALS APPLIED			
TE TERMINAL	DEUTSCH TERMINAL	TE TERMINAL	DEUTSCH TERMINAL
2113369-1	1060-20-0622	2113369-2	1060-20-0644
2113369-3	1060-20-0677		

TERMINAL DATA: DEUTSCH TERMINAL DEUTSCH CRIMP SPECIFICATION			
TERMINAL NAME: STAMPED CONTACT SOCKET SIZE 20			
WIRE STRIP LENGTH		INSULATION DIAMETER RANGE	
3.81-5.09 mm [.150-.200 IN]		Ø 2.31-2.72 mm [.091-.107 IN]	
TERMINAL APPLICATION SPECIFICATION		114-151003	
TERMINALS APPLIED			
TE TERMINAL	DEUTSCH TERMINAL	TE TERMINAL	DEUTSCH TERMINAL
2113370-1	1062-20-0622	2113370-2	1062-20-0644
2113370-3	1062-20-0677		

WIRE SIZE	CRIMP HEIGHT mm [INCH]	CRIMP HEIGHT REFERENCE SETTING
2.50mm2	1.68+0.03/-0.05 [.066+.001/-0.002]	8.4
14 AWG	1.65+0.03/-0.05 [.065+.001/-0.002]	8.6
1.50mm2	1.60+0.03/-0.05 [.063+.001/-0.002]	8.9
16 AWG	1.55+0.03/-0.05 [.061+.001/-0.002]	9.3
1.00mm2	1.55+0.03/-0.05 [.061+.001/-0.002]	9.3

- 1 RECOMMENDED SPARE PARTS
 - 2 REFER TO SUPPLIED INSTRUCTION SHEET FOR CLEANING, LUBRICATION AND STORAGE OF APPLICATOR.
 - 3 APPLY PART NUMBER 2-23419-6 LOCTITE TO THREADS OF ITEM 242.
 - 4 CRIMP HEIGHT REFERENCE SETTING WAS THE SETTING USED WHEN THE APPLICATOR WAS QUALIFIED AT THE FACTORY. ADJUSTMENT MAY BE NECESSARY WHEN RUNNING APPLICATOR IN THE FIELD.
 - 5 SEE APPROPRIATE APPLICATOR LOG SHEETS FOR APPLIED TERMINALS, WIRE RANGE AND MEMORY CHIP.
 - 6 TERMINAL LUBRICANT IS RECOMMENDED.
7. UNLESS SPECIFIED OTHERWISE TORQUE VALUES SHALL BE USED PER DOCUMENT, 101-35000.

***WARNING**
ON INSTALLATION, SET WIRE DISC TO CRIMP HEIGHT REFERENCE SETTING FOR LARGEST WIRE SIZE. CRIMP HEIGHT REFERENCE SETTINGS GREATER THAN THE VALUE SHOWN MAY CAUSE DAMAGE TO THE CRIMP TOOLING, REFER TO THE INSTRUCTION SHEET FOR PROPER SETUP AND ADJUSTMENTS.

LOC	DIST	REVISIONS					
A	66	P	LYR	DESCRIPTION	DATE	OWN	APVD
		-	-	SEE SHEET 1	-	-	-

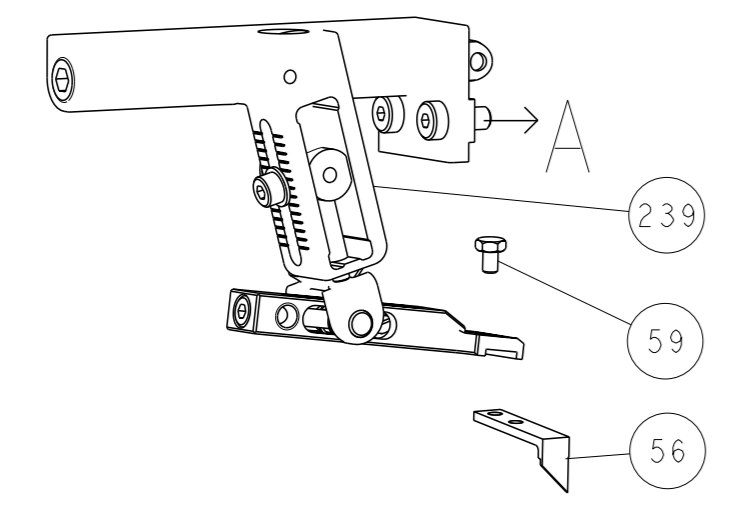
-	-	1	1	2119791-9	DEPRESSOR, WIRE		286
-	-	1	-	2119640-1	PUSH ROD, AIR FEED		250
-	-	1	-	1803259-1	BUSHING, FLANGED		249
-	-	1	1	2119082-9	CAM, SNAIL, INSULATION ADJUSTMENT		244
-	-	1	1	2079764-1	WASHER, WAVE SPRING, CREST-TO-CREST		243
3	-	1	1	2119083-1	RETAINER, INSULATION DIAL		242
-	-	1	1	7-18023-7	SCR, SKT HD CAP M3 X 4.0		241
-	-	-	1	2119580-1	MECHANICAL FEED ASSEMBLY		239
-	-	1	-	2063440-1	AIR FEED MODULE		238
-	-	2	-	21045-3	RING, RETAIN, EXTERN, 3/16 CRESCENT		172
-	-	REF	REF	994970-2	COUNTER, MAGNETIC		164
-	-	1	-	240638-1	SPRING, FEED FINGER		163
-	-	1	-	2119641-2	FEED CAM, AIR FEED		151
-	-	1	1	2168083-8	SCR, SKT HD CAP, RoHS, M4 X 16		144
-	-	4	4	2168083-9	SCR, SKT HD CAP, RoHS, M4 X 20		143
-	-	-	1	2119653-2	FEED CAM, POST FEED		142
-	-	1	1	1-1803583-0	APPLICATOR BASIC ASSEMBLY, SF		141
-	-	1	1	1803516-1	RAM ASSEMBLY, SF PACIFIC		140
-	-	1	-	3-23627-7	PIN, RETAIN, GRVD, 3/16 X .854		137
-	-	1	-	2119799-1	HOLDER, FEED FINGER, AF		136
-	-	1	1	1-18028-2	WASHER, FLAT, REG M4		119
6	-	1	1	2119955-1	ASSY, LUBRICATOR, SIDE FEED		113
-	-	1	1	2844908-1	SCREW, LOCKING		99
-	-	1	1	2844907-1	POST, LOCKING		98
-	-	1	1	455888-6	SPACER, CRIMPER		82
1	-	-	-	2266122	PRINT, APPLICATOR LOG SHEET		72
-	-	1	1	1803607-1	DOCUMENTATION PACKAGE		71
-	-	1	1	2119791-9	DEPRESSOR, WIRE		70
-	-	1	1	2119943-1	WASHER, SPACER		69
-	-	1	1	2119740-1	TAG, IDENTIFICATION		67
-	-	2	2	2168078-1	SCREW, DRIVE, RH, RoHS, 2 x .188		66
-	-	1	1	5-18022-5	SCR, HEX HD CAP, M4 X 6.0		59
-	-	1	1	1338685-1	PAWL, FEED		56
-	-	2	2	1-2168083-0	SCR, SKT HD CAP, RoHS, M4 X 10		53
-	-	1	1	5018030-1	NUT, HEX, REG, RoHS, M3		52
-	-	1	1	811242-5	BUMPER, HOLD DOWN		51
-	-	1	1	690753-2	SPACER, TONKER		50
-	-	1	2	18023-9	SCR, SKT HD CAP M4 X 6.0		49
-	-	-	1	2119652-1	FEED CAM, PRE FEED		48
-	-	1	1	1803602-1	SCR, BHSC, RoHS (M8 X 25)		41
-	-	1	1	2-1752356-0	SUPPORT, TERMINAL		34
-	-	2	2	2079383-5	SCR, BHSC, RoHS (M4 X 20)		33
-	-	2	2	2-2844962-8	SPACER, CYLINDRICAL, STRIP GUIDE		30
-	-	1	1	2844992-1	ASSEMBLY, STRIP GUIDE		29
-	-	1	1	1320928-2	STRIP GUIDE		24
-	-	1	1	2168083-2	SCR, SKT HD CAP, RoHS, M4 X 8.0		21
-	-	1	1	1-18028-2	WASHER, FLAT, REG M4		20
-	-	1	1	2119533-1	STRIPPER, SIDE FEED		19
1	-	1	1	2119806-1	INSERT, SHEAR		13
-	-	1	1	3-22280-3	SPRING, COMPRESSION		12
-	-	1	1	1-356885-4	STOP, SHEAR		11
1	-	1	1	2119805-1	SHEAR HOLDER, FRONT		10
1	-	1	1	1803095-1	FLOATING SHEAR, FRONT		9
1	1	1	1	1-1803293-8	ANVIL, COMBINATION DEUTSCH STYLE		8
-	-	-	-	-	-		7
-	-	-	-	-	-		6
-	-	1	1	2119757-8	DEPRESSOR, SHEAR		5
-	-	1	1	238011-9	BLOCK, CRIMPER SPACER		4
1	1	1	1	1803019-5	CRIMPER, INSULATION O		3
-	-	1	1	455888-3	SPACER, CRIMPER		2
1	-	1	1	4-1333281-8	CRIMPER, WIRE PREMIUM		1

PACIFIC VERSION
Shown on sheets 3 of 4 & 4 of 4
(Atlantic version shown on sheets 1 of 4 & 2 of 4)

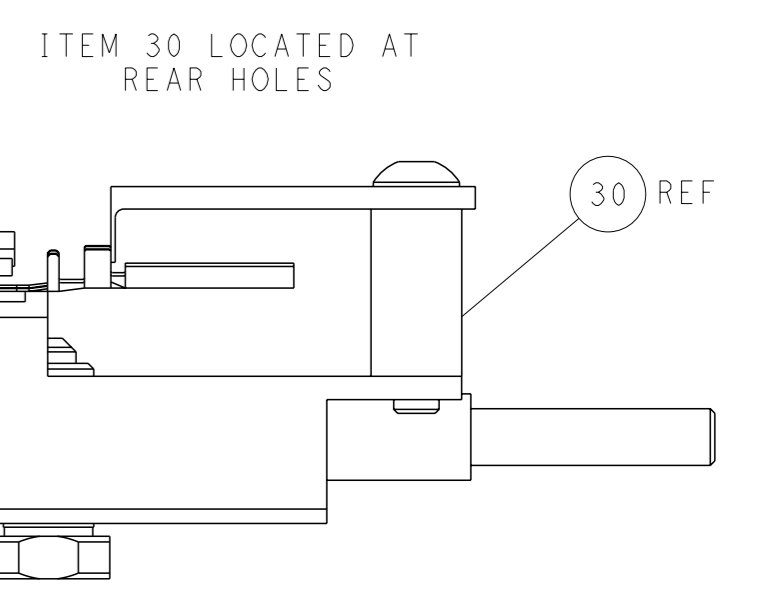
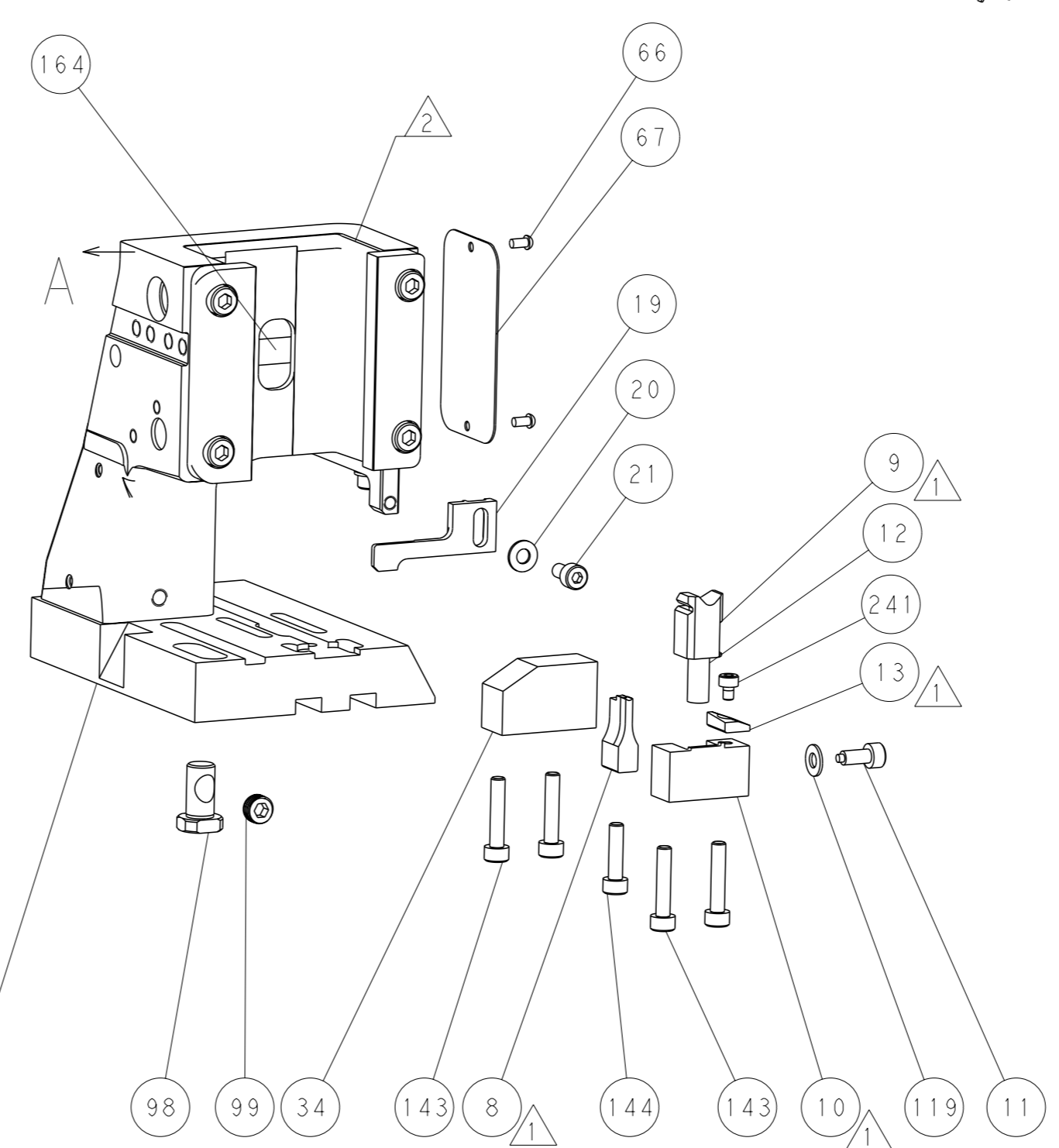
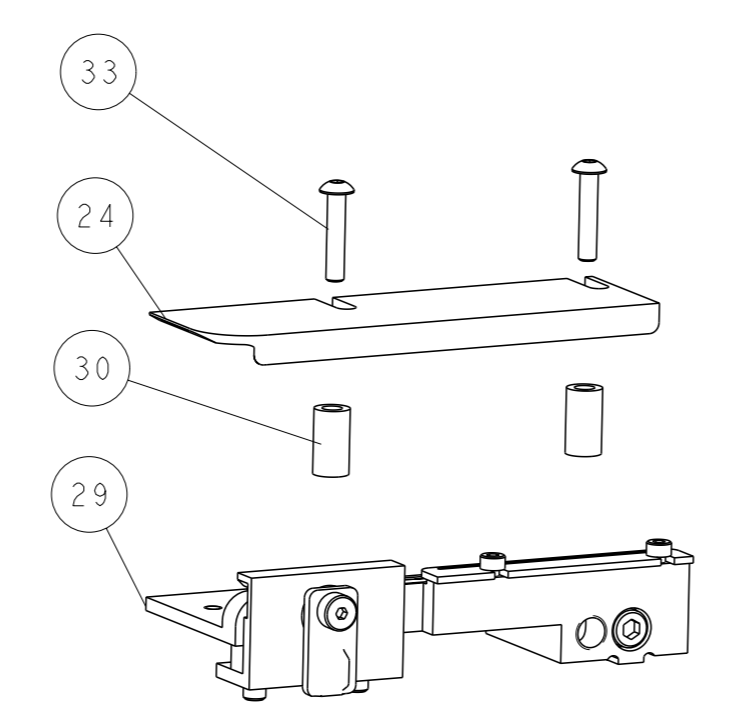
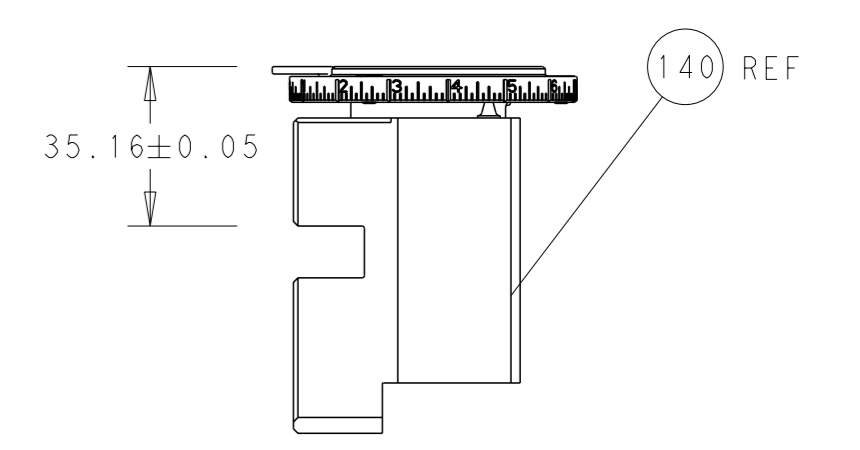
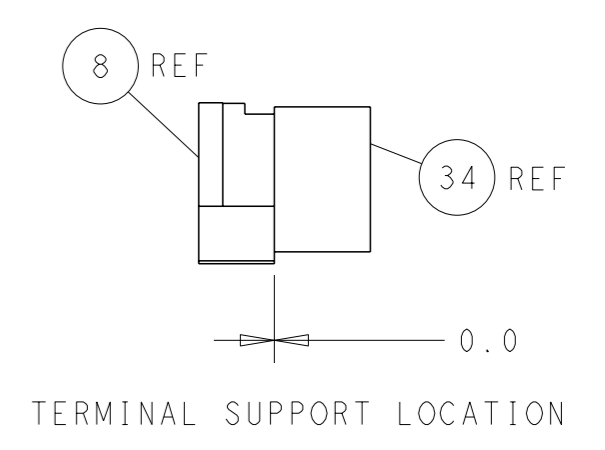
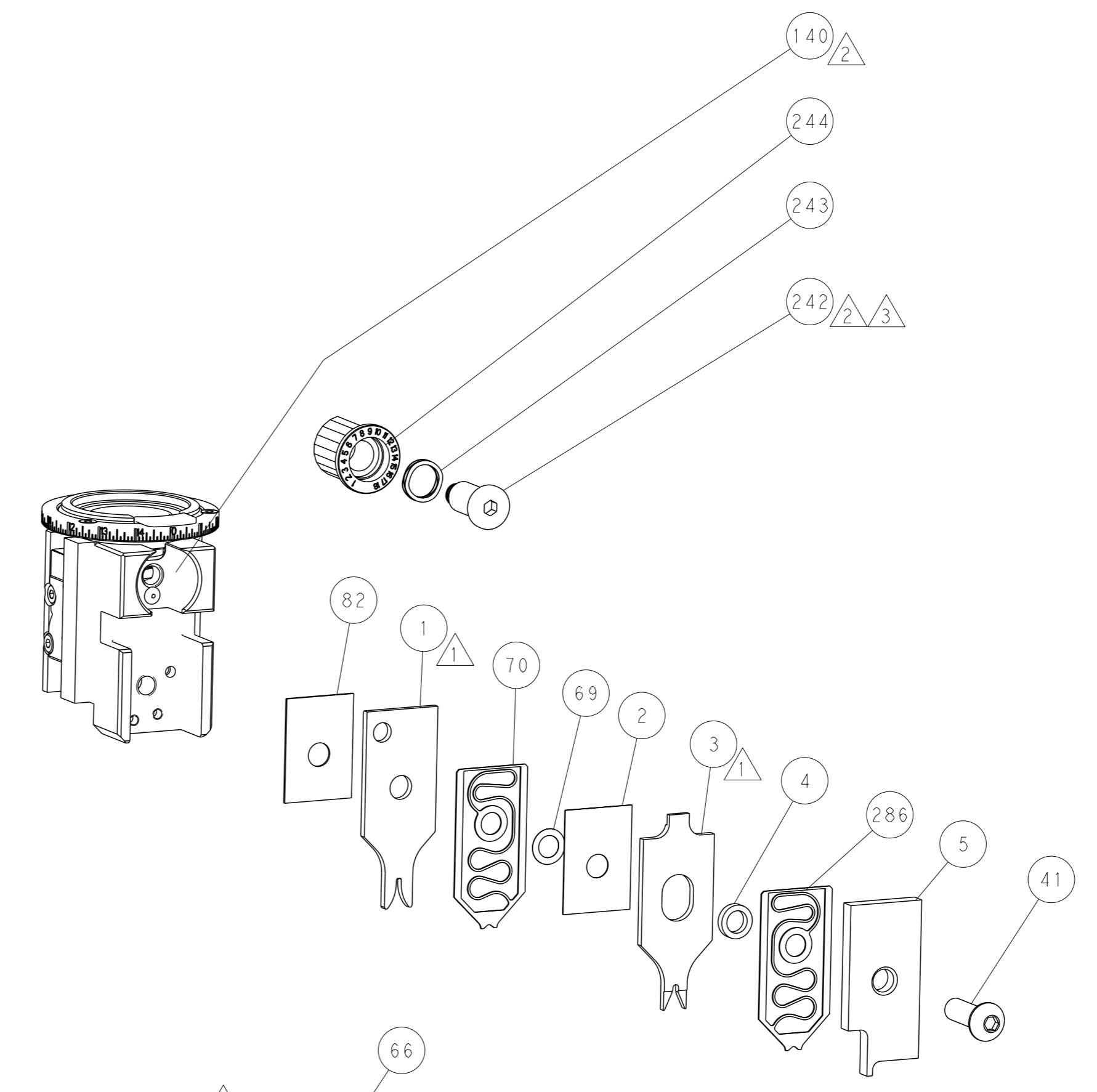
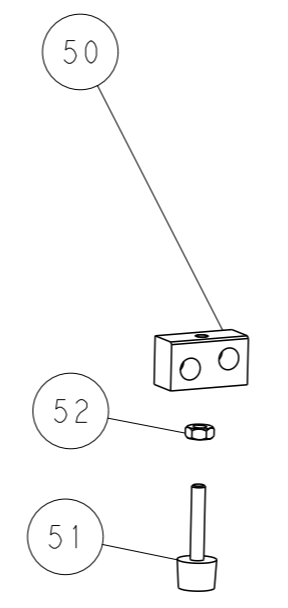
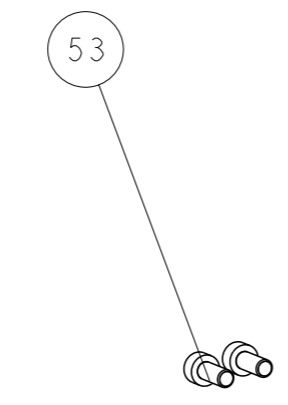
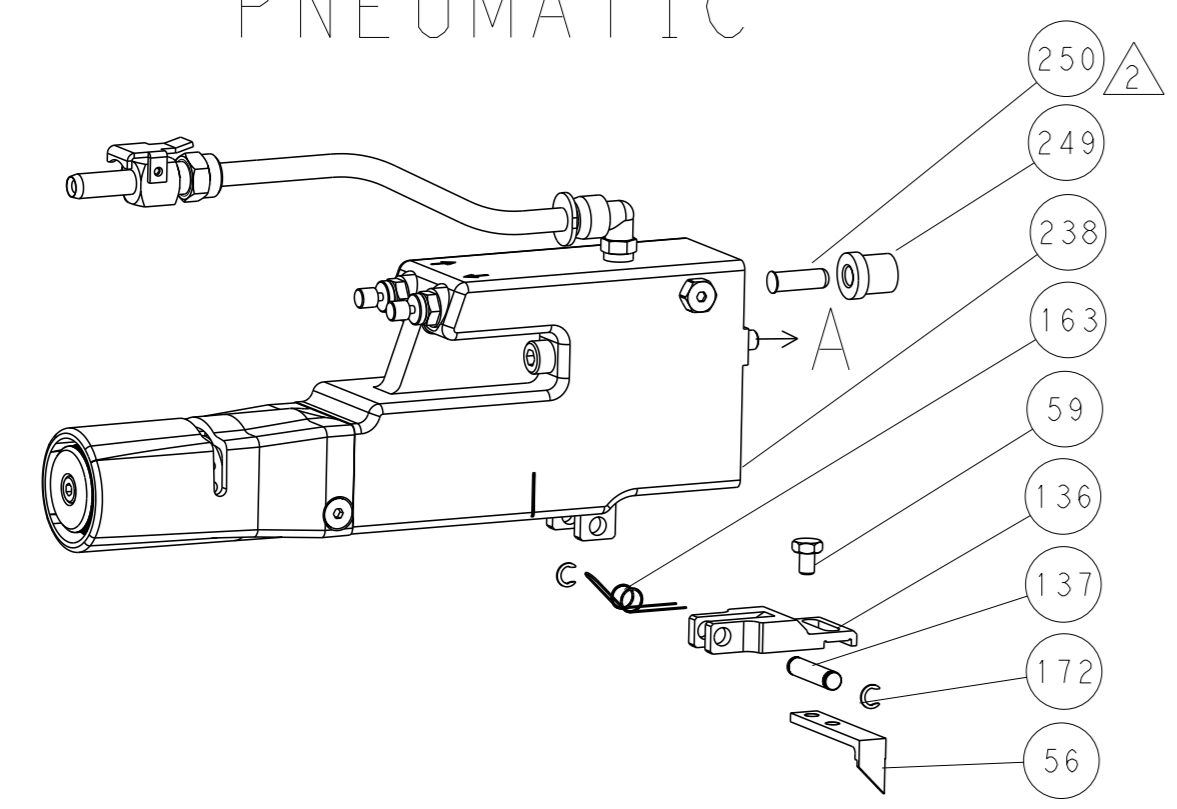
DIMENSIONS:		TOLERANCES UNLESS OTHERWISE SPECIFIED:		OWN	DATE	NAME	
mm	0 PLC ±	1 PLC ±	2 PLC ±	R. KNEPPER	29-Jan-14	STE TE Connectivity	
	3 PLC ±	4 PLC ±	ANGLES ±	G. BAILEY	29-Jan-14	Harrisburg, PA 17105-3608	
MATERIAL	FINISH	WEIGHT	SCALE	APVD	DATE	Customer Accessible Production Drawing	
			1:2	M. CLIFFORD	29-Jan-14	Ocean Side Feed Applicator	
						SIZE CAGE CODE DRAWING NO RESTRICTED TO	
						A1 00779 C=2266122	
						SHEET 3 of 4 REV	

LOC		DIST		REVISIONS			
A	66	P	LYR	DESCRIPTION	DATE	OWN	APVD
		-		SEE SHEET 1			

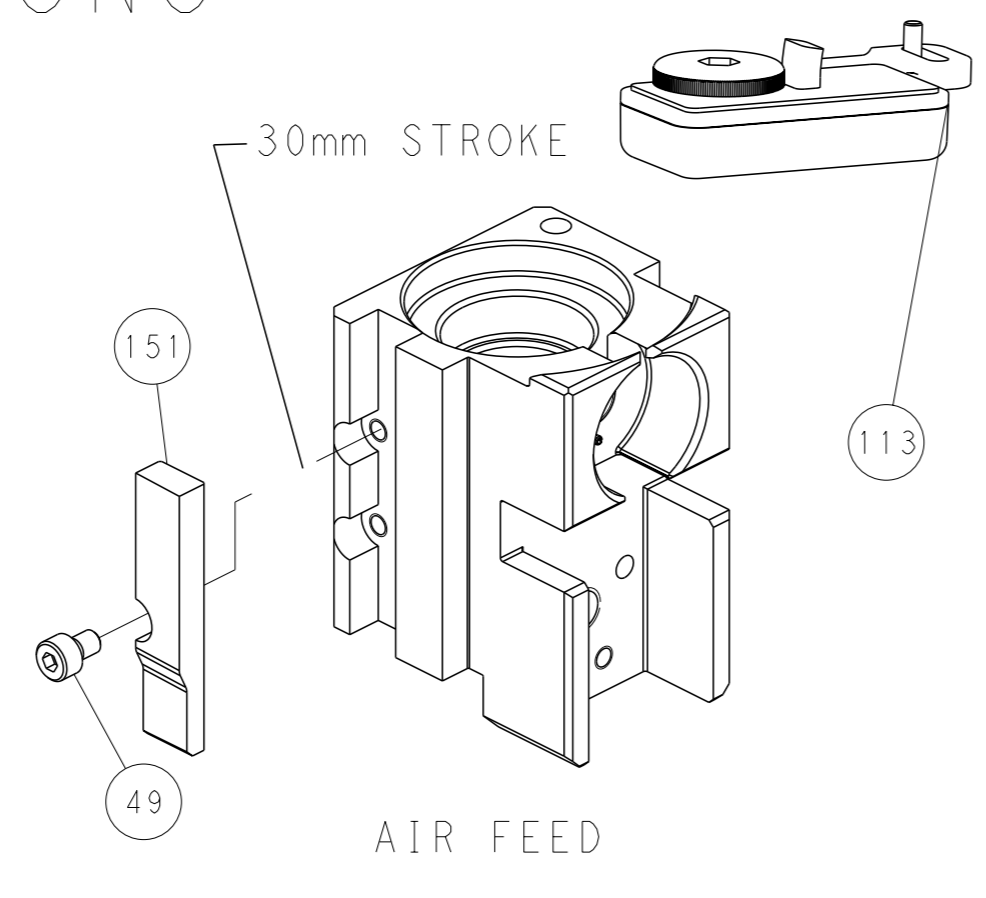
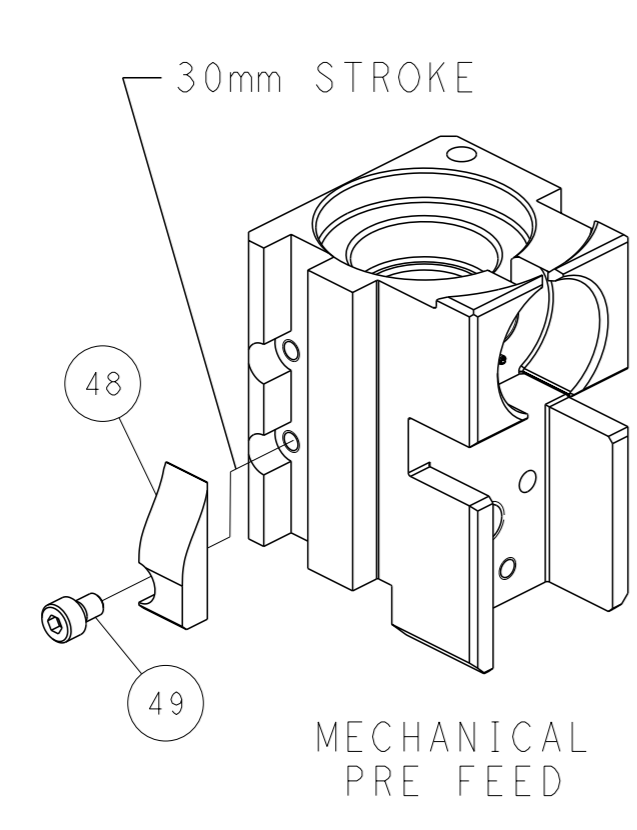
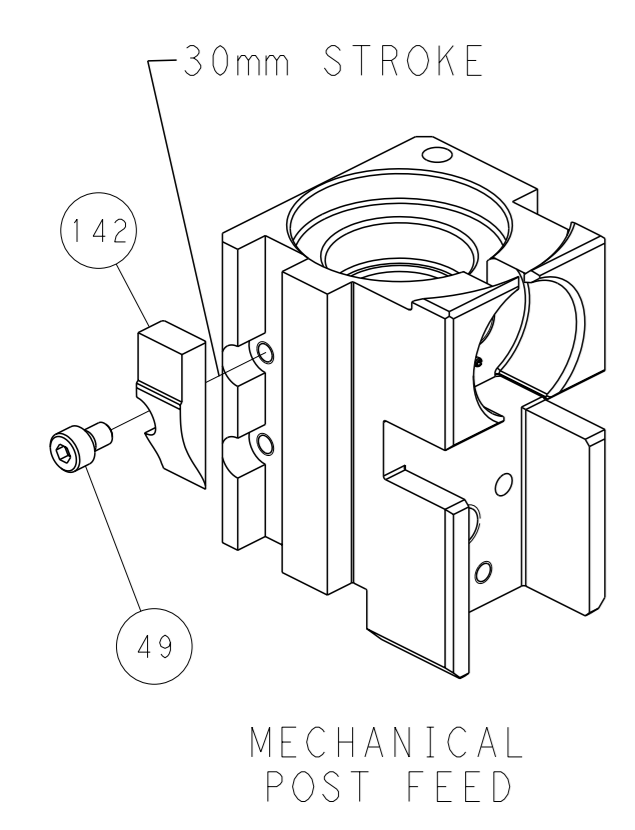
FEED TYPE MECHANICAL



PNEUMATIC



CAM POSITIONS



PACIFIC VERSION
 Shown on sheets 3 of 4 & 4 of 4
 (Atlantic version shown on sheets 1 of 4 & 2 of 4)

<small>THIS DRAWING IS A CONTROLLED DOCUMENT FOR TYCO ELECTRONICS CORPORATION. IT IS SUBJECT TO CHANGE AND THE CONTROLLING ENGINEERING ORGANIZATION SHOULD BE CONTACTED FOR THE LATEST REVISION.</small>		OWN: R. KNEPPER CHK: G. BAILEY APVD: M. CLIFFORD	DATE: 29-Jan-14 DATE: 29-Jan-14 DATE: 29-Jan-14	TE Connectivity Harrisburg, PA 17105-3608
DIMENSIONS: mm TOLERANCES UNLESS OTHERWISE SPECIFIED: 0 PLC ± 1 PLC ± 2 PLC ± 3 PLC ± 4 PLC ± ANGLES FINISH ±		NAME: Ocean Side Feed Applicator APPLICATION SPEC: - SIZE: A1 CAGE CODE: 00779 DRAWING NO: C=2266122	RESTRICTED TO: - SCALE: 1:2 SHEET: 4 of 4 REV: C	