



Threaded Shaft for Angular Sensor

SKU: 85010 Weight: 3.00 Gram

What is Threaded Shaft for Angular Sensor?

Threaded Shaft is the connection part between linkages and Angular sensor. You can measure the angle of linkages together with the threaded shaft and Angular sensor.

The threaded shaft is unable to turn as connected to the linkage, so you just need to fix the threaded shaft on the linkage with a nut. The angle of the shaft is adjustable by 90 degrees a time, so you can adjust the initial angle of the angular sensor.

Features of the Threaded Shaft for Angular Sensor

? Material: SUS304

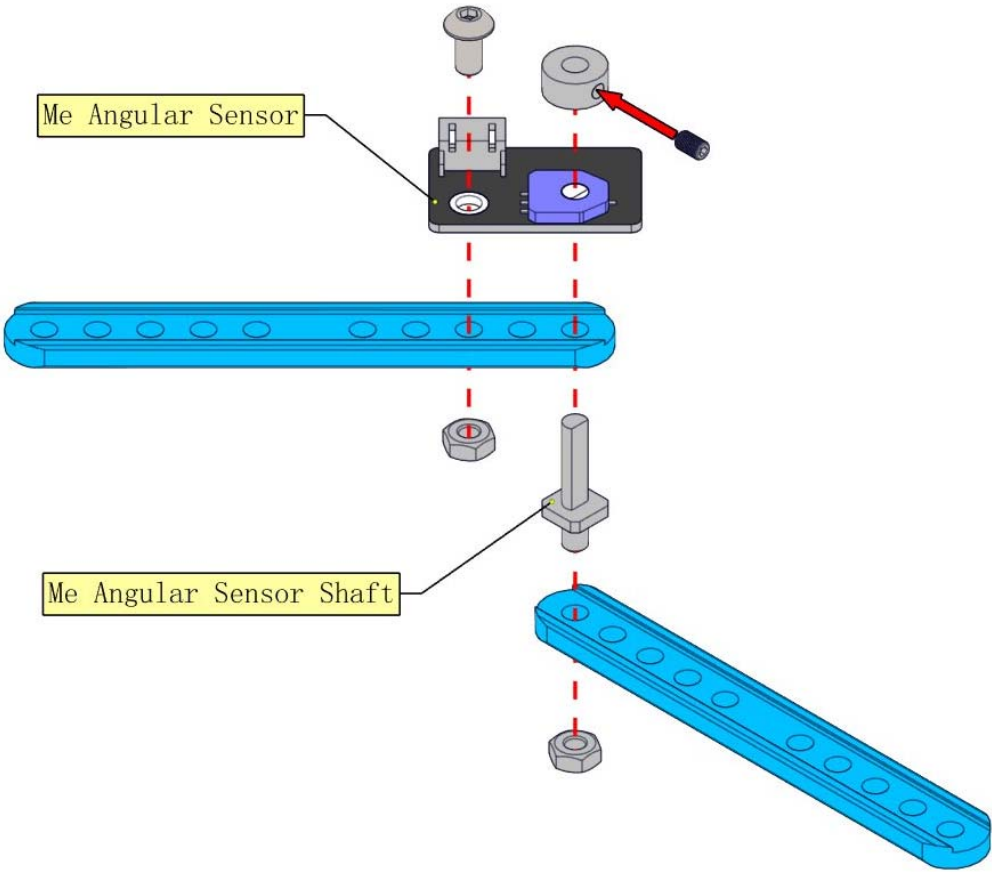
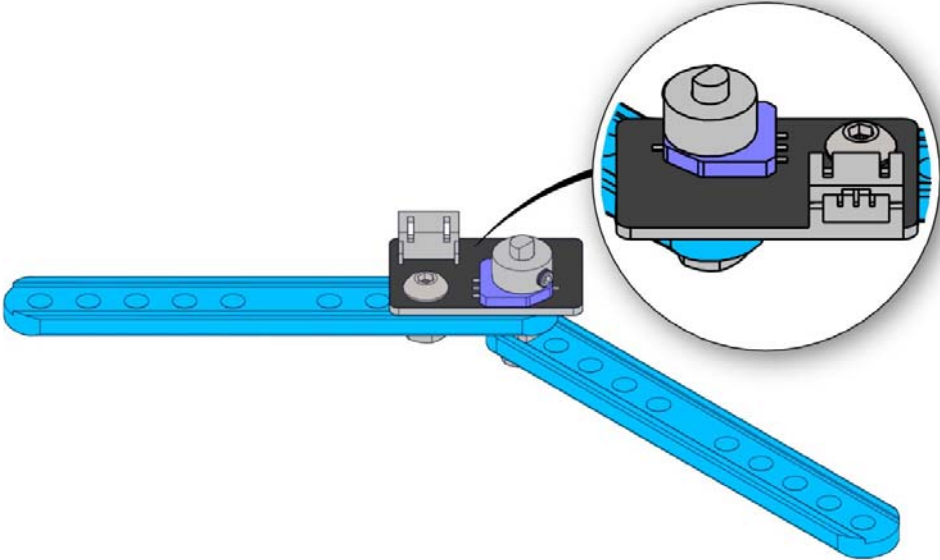
? Total length: 23mm

? D shaft (at one end): 15mm

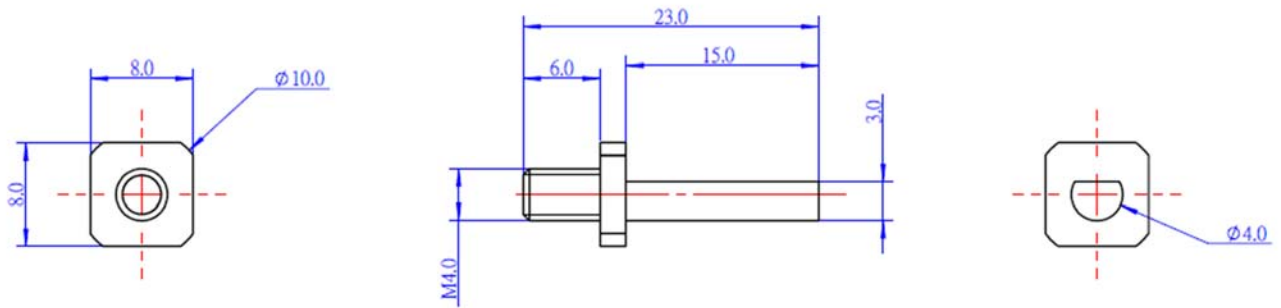
? M4 thread shaft (at the other end): 6mm

? Square flange (in the middle): 8x8x2mm

Building Examples



Size Charts (mm)



Specifications

SKU	85040
Material	SUS304
Color	Silver
Package Dimension	60x100x10mm (2.4x3.9x0.4 inch)
Product Dimension	8x8x23mm (0.3x0.3x0.9 inch)
Net Weight	3g (0.11oz)
Gross Weight	4g (0.14oz)