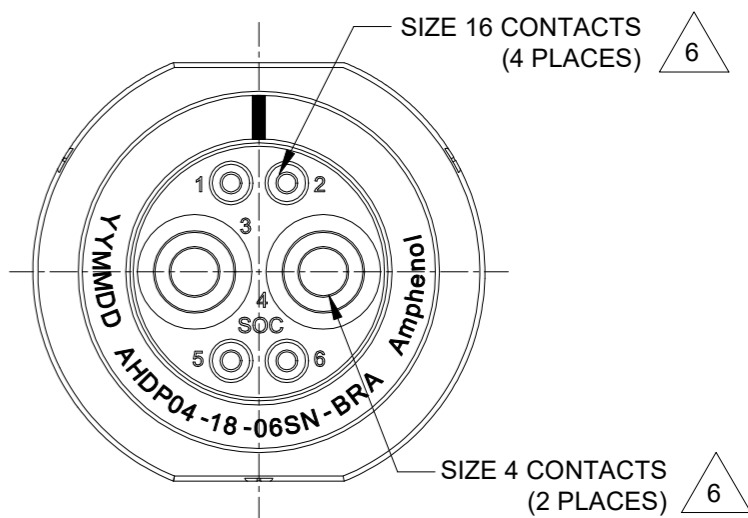
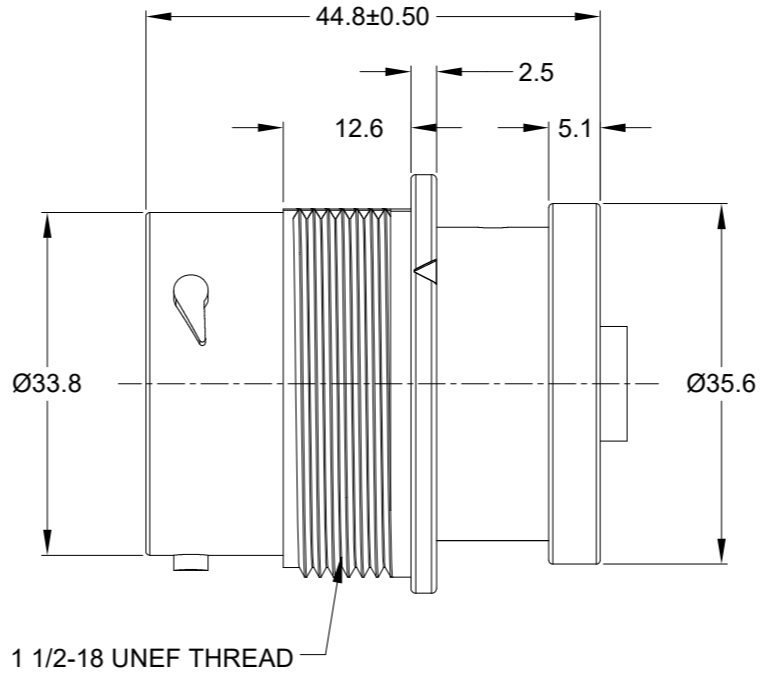
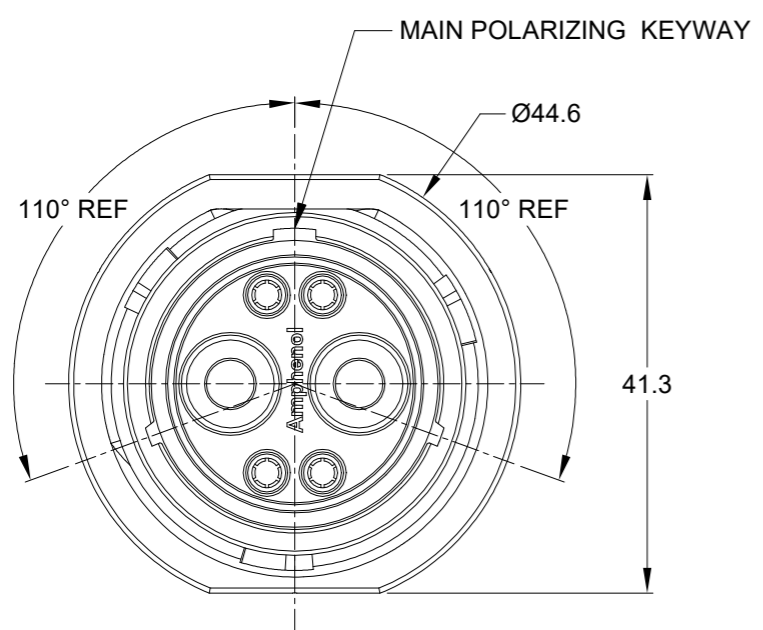


REVISIONS					
REV	ECO	DESCRIPTION	DATE	BY	APPR
A1	-	RELEASE NEW DRAWING	28/MAR/22	MILO	TOMMY

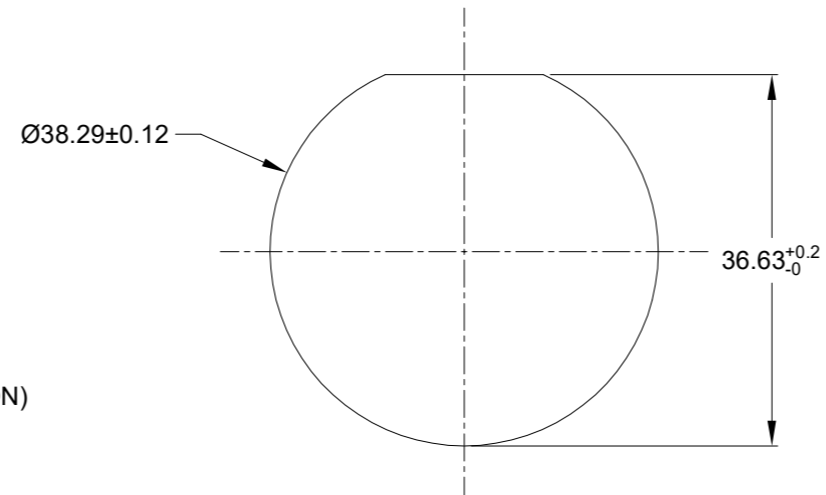


NOTES: UNLESS OTHERWISE SPECIFIED

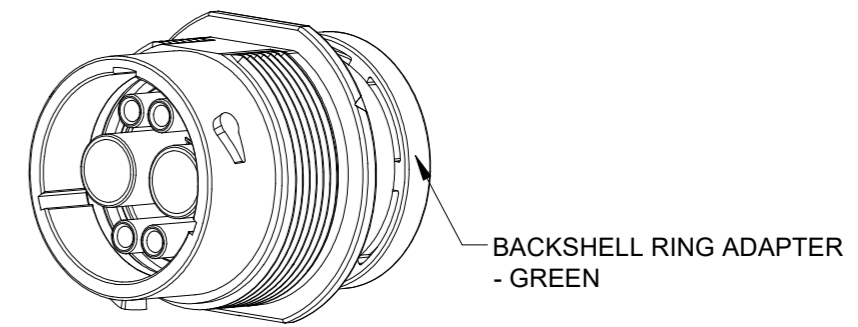
- MATERIAL:
HOUSING: THERMOPLASTIC; BLACK
SEAL: SILICONE RUBBER
- MODIFICATIONS: BACKSHELL RING ADAPTER (BRA);
STANDARD DIA. WIRE SEAL
- SPECIFICATIONS:
 - OPERATING TEMPERATURE: -55°C TO +125°C.
 - DIELECTRIC WITHSTANDING VOLTAGE: LESS THAN 2 MILLIAMPS CURRENT LEAKAGE @ 1500 VOLTS AC.
 - INSULATION RESISTANCE: 1000 MEGOHM MIN @ 25°C.
 - MOISTURE RESISTANCE:
IP68(IM OF WATER FOR A PERIOD OF 24 HOURS, MATED CONDITION);
IP69K(MATED CONDITION).
 - MATING CYCLE DURABILITY: 100 CYCLES
 - RoHS COMPLIANT
- MATING PART: AHDP06-18-06P* (* = SEAL TYPE) (NOT C030 OPTION)
- ALL DIMENSIONS ARE FOR REFERENCE USE ONLY.

6 CONTACT SIZE AND WIRE RANGE:

CONTACT SIZE	MIN. INSUL O.D.	MAX. INSUL O.D.	TYPICAL WIRE RANGE	CURRENT RATING
16	2.54 mm (.100in)	3.40 mm (.134 in)	14-20 AWG (2.0-0.5mm ²)	13 AMPS
4	6.63 mm (.261in)	7.42mm (.292 in)	6 AWG (16.0-13.0mm ²)	100 AMPS



RECOMMENDED PANEL MOUNTING HOLE
RECOMMENDED PANEL THICKNESS: 1.6 TO 4.7MM



QUANTITY	AHDP04-18-06SN-BRA	DESCRIPTION	ITEM

SIGNATURES			DATE
DRAWN:	MILO		28/MAR/22
CHECKED:	SULLEN		29/MAR/22
ENGINEER:			
APPROVAL:	TOMMY		30/MAR/22

MATERIALS LIST			
UNLESS OTHERWISE SPECIFIED			
1) All dimensions are in metric(mm).			
2) Tolerances are as follows:			
1 PL DEC ±0.30	Fractions ±1/64		
2 PL DEC ±0.15	Angles ±1°		
3 PL DEC ±0.08			
3) Note reference = \triangle			
MATERIAL SPECIFICATIONS:			
WEIGHT: 39.7g			
PROCESS SPECIFICATIONS:			
NEXT ASSY:			

<p style="text-align: center;">Amphenol</p> <p style="text-align: center;">Sine Systems - www.amphenol-sine.com 44724 Morley Drive Clinton Township, MI 48036</p>			
6POS, RECEPTACLE, SOCKET, SIZE 18, NORMAL SEAL, BRA, DURAMATE AHDP			
SIZE	TYPE	DWG NO:	REVISION
B	C-	AHDP04-18-06SN-BRA	A1
SCALE:	NONE	DURAMATE	SHEET 1 OF 1

TITLE: 6POS, RECEPTACLE, SOCKET, SIZE 18, NORMAL SEAL, BRA, DURAMATE AHDP
DWG NO: AHDP04-18-06SN-BRA
REV: A1
SH: 1
OF: 1