



# SPECIFICATION FOR PIEZOELECTRIC CERAMICS

TOTAL PAGE	04	<a href="http://www.bestarsensor.com">www.bestarsensor.com</a>	ROHS
------------	----	--	------

Customer		Model Name	BSU-P15-1000B-W200
Customer P/N		Product No.	
Date	Jul. 16,15	Issue No.	BS/TEY01.612
Page	01 of 04	Issue Date	15/07/16

## Approval:

- 1 Features
2. Mechanical and electrical characteristics
3. Drawing
4. History change record

Drawn by	Checked by	Approved by	Customer approved
Liu Rufeng	Zoudongping	Lihongyuan	

## **BESTAR SENSORTECH CO.,LTD**

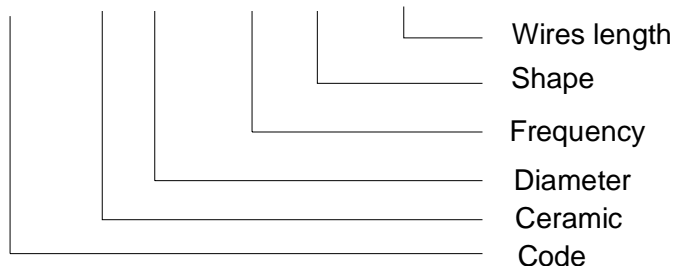
No.199 HuangHe West Road.New district,ChangZhou,JiangSu Province,P.R.China

**Tel:** +86 519 88990131     **Fax:** +86 519 88990133

**E-mail:**[li@bestarsensor.com](mailto:li@bestarsensor.com)     **[http://www.bestar\\_sensortech.com](http://www.bestar_sensortech.com)**

## Product Type

# BSU-P15-1000B-W200



## 1 Features

- 1) High sensitivity.
- 2) Less power consumption.
- 3) Temperature performance

## 2. Mechanical and electrical characteristics

Item	Unit	Specification
Diameter	mm	14.85 ±0.2
Thickness	mm	2.1 ±0.1
Ag electrode thickness	um	3~8
Anode Diameter	mm	14.5+0/-0.5
Wrap around silver length	mm	>2.0
Trench width	mm	2.0 ±0.2
Free capacitance	nF	1.2±15% @1kHz
Electromechanical coupling factor		>0.6
Resonant frequency	KHz	1000±200
Cure temperature	°C	>210
Insulation resistance	MΩ	>100(at 100V DC)
Sliver adhesion to exceed pull-off force	N/mm2	>1

### Test conditions:

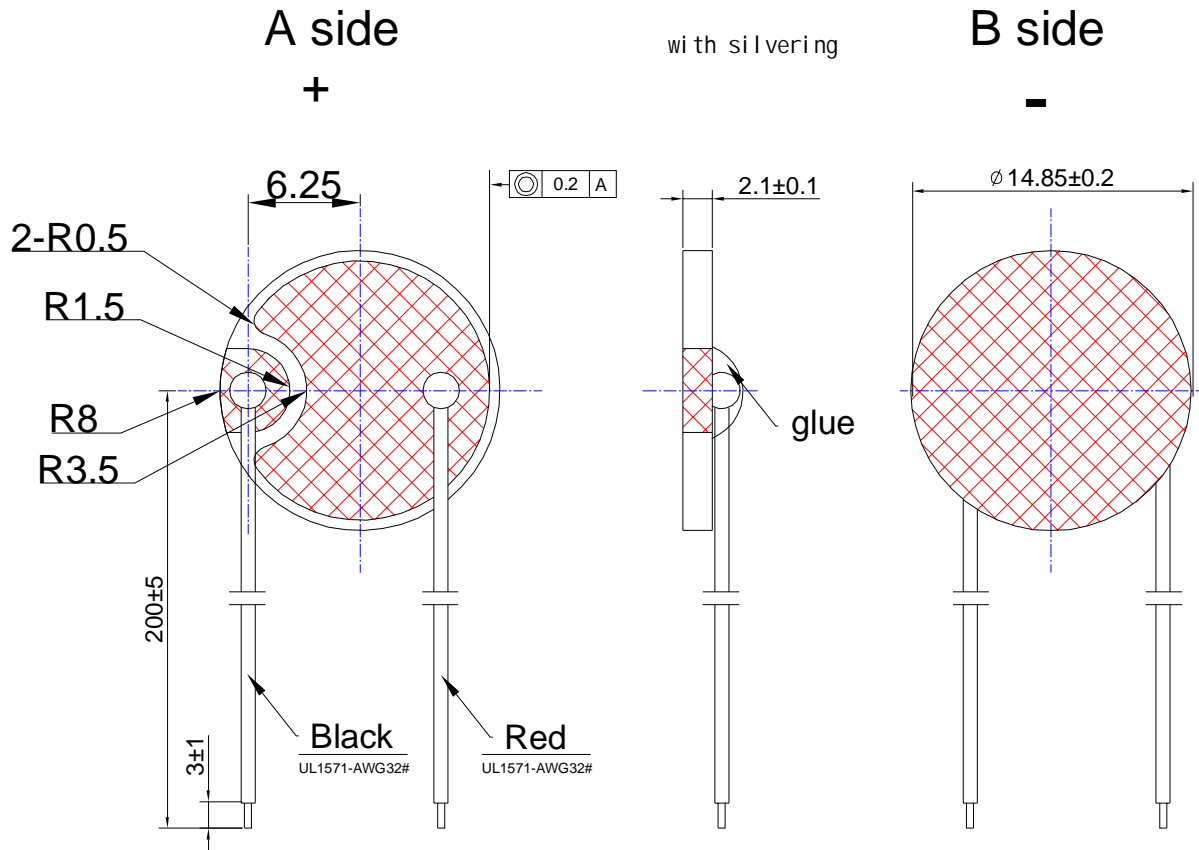
Environment temperature: 25±3C°

Humidity:60±10%

Rev.	Date	Drawn	Note	Date:	2015.07.16	BSU-P15-1000B-W200	
				Drawn by:	Li u Rufeng		
				Checked by:	Zou Dongpi ng	Piezo Ceramic Element	
				Approved by:	Li Hongyuan		
BESTAR SENSORTECH. CO.,LTD <a href="http://www.bestarsensor.com">www.bestarsensor.com</a> <a href="mailto:li@bestarsensor.com">li@bestarsensor.com</a>						DRG NO: BS/TEY01.612	Page:02 of 04

# BSU-P15-1000B-W200

## 3.Drawing



unit: mm

This print and information there in are property to Bestar Electronics Industry Co., Ltd. and shall not be used in whole or in part without its written content

Rev.	Date	Drawn	Note	Date:	2015.07.16	BSU-P15-1000B-W200	
				Drawn by:	Li u Rufeng		
				Checked by:	Zou Dongpi ng	Piezo Ceramic Element	
				Approved by:	Li Hongyuan		
BESTAR SENSORTECH. CO.,LTD						DRG NO: BS/TEY01.612	Page:03 of 04
<a href="http://www.bestarsensor.com">www.bestarsensor.com</a> <a href="mailto:li@bestarsensor.com">li@bestarsensor.com</a>							

BSU-P15-1000B-W200

4.History change record

version No.	Change Items		Date	Drawn	Approved
	Before	After			
X1			15/07/16	Liu Rufeng	Li Hongyuan

This print and information there in are proprietary to Bestar Electronics Industry Co., Ltd. and shall not be used in whole or in part without its written consent

				Date:	2015.07.16	<b>BSU-P15-1000B-W200</b>	
				Drawn by:	Li u Rufeng		
				Checked by:	Zou Dongpi ng	Piezo Ceramic Element	
				Approved by:	Li Hongyuan		
BESTAR SENSORTECH. CO.,LTD <a href="http://www.bestarsensor.com">www.bestarsensor.com</a> <a href="mailto:li@bestarsensor.com">li@bestarsensor.com</a>						DRG NO: BS/TEY01.612	Page: 04 of 04