
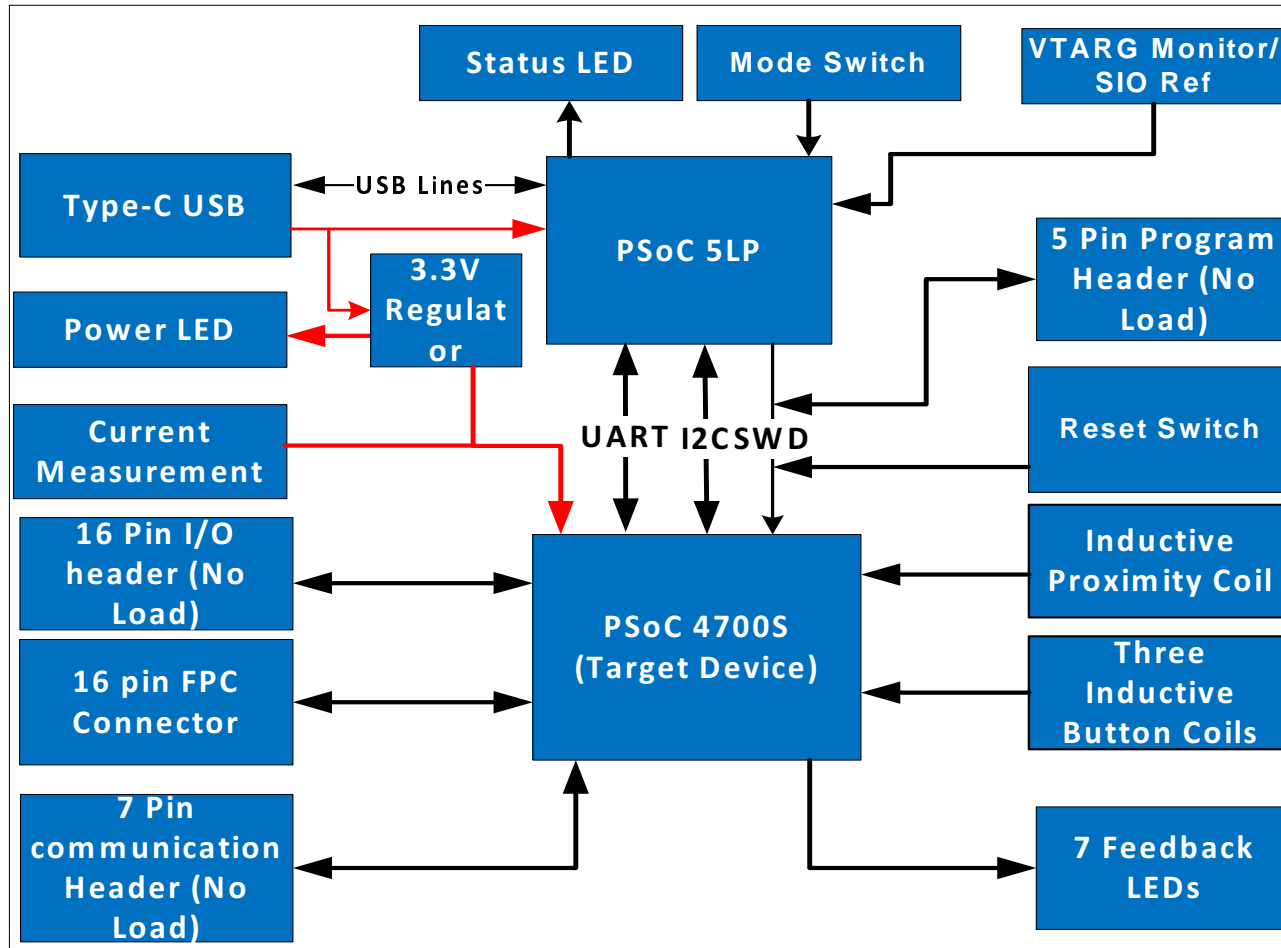


CY8CKIT-148 PSoC 4700S Inductive Sensing Evaluation Kit

CONTENTS	
PAGE	DESCRIPTION
01	Title, Table of Contents & Drawing Numbers
02	Block Diagram
03	KitProg2 Schematics
04	PSoC 4700S
05	Inductive Sensing Interface
06	Accessories
07	Revision History

Drawing Numbers	
PCBA	121-60503-01
PCB	600-60503-01
FAB DRW	610-60503-01
ASSY DRW	620-60503-01
SCH DRW	630-60503-01

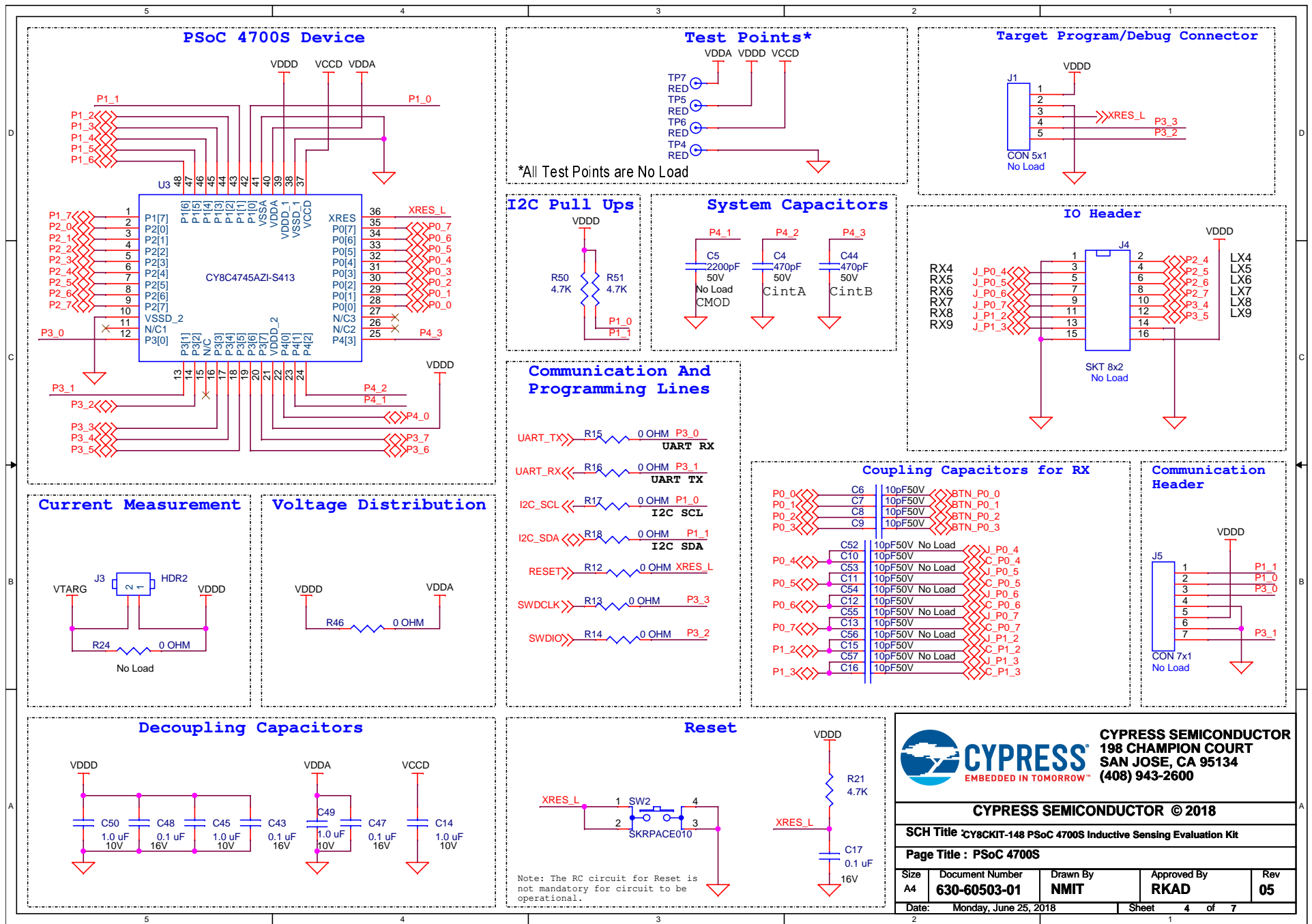
 CYPRESS <small>EMBEDDED IN TOMORROW™</small>		CYPRESS SEMICONDUCTOR 198 CHAMPION COURT SAN JOSE, CA 95134 (408) 943-2600		
CYPRESS SEMICONDUCTOR © 2018				
SCH Title : CY8CKIT-148 PSoC 4700S Inductive Sensing Evaluation Kit				
Page Title : Title Page				
Size A4	Document Number 630-60503-01	Drawn By NMIT	Approved By RKAD	Rev 05
Date: Wednesday, May 30, 2018		Sheet 1 of 7		




CYPRESS
 EMBEDDED IN TOMORROW™

CYPRESS SEMICONDUCTOR
 198 CHAMPION COURT
 SAN JOSE, CA 95134
 (408) 943-2600

CYPRESS SEMICONDUCTOR © 2018				
SCH Title CY8CKIT-148 PSoC 4700S Inductive Sensing Evaluation Kit				
Page Title : Block Diagram				
Size A4	Document Number 630-60503-01	Drawn By NMIT	Approved By RKAD	Rev 05
Date: Tuesday, June 05, 2018		Sheet 2 of 7		



CYPRESS EMBEDDED IN TOMORROW™

CYPRESS SEMICONDUCTOR
198 CHAMPION COURT
SAN JOSE, CA 95134
(408) 943-2600

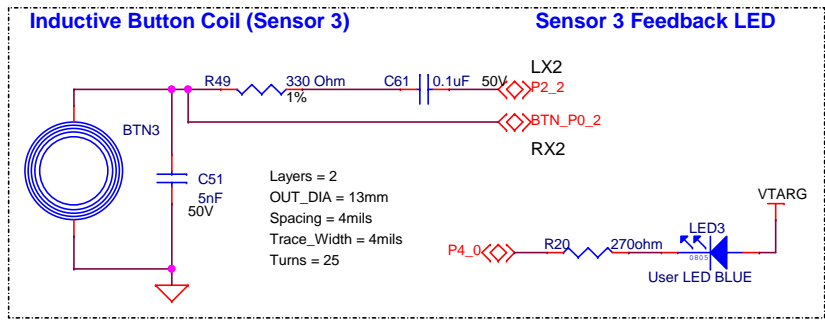
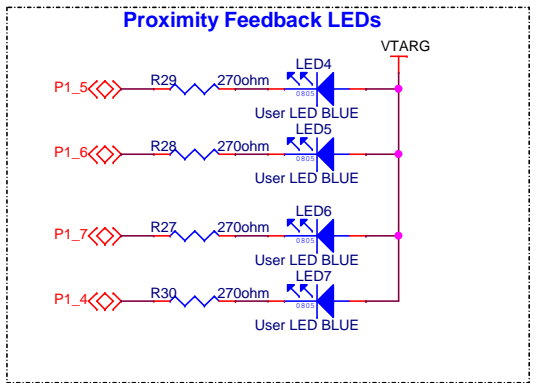
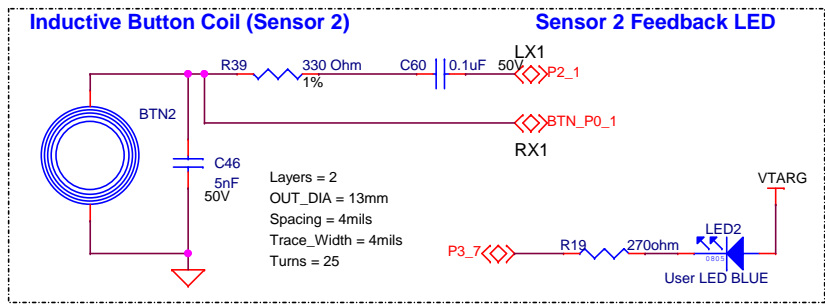
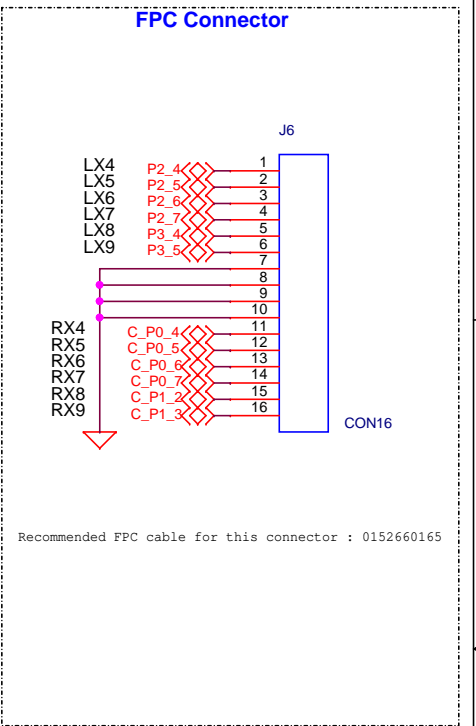
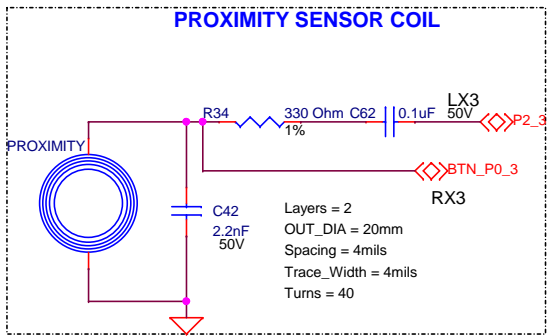
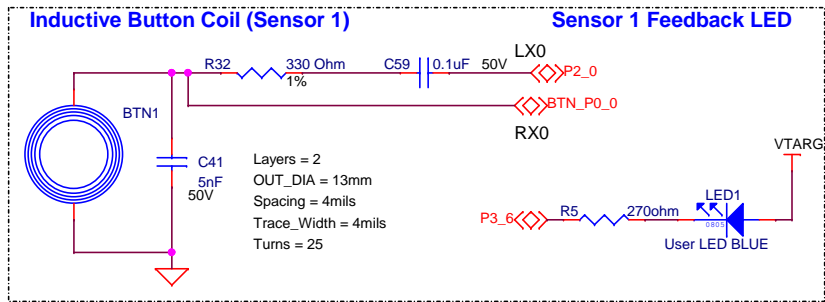
CYPRESS SEMICONDUCTOR © 2018

SCH Title : CY8CKIT-148 PSoc 4700S Inductive Sensing Evaluation Kit

Page Title : PSoc 4700S

Size A4	Document Number 630-60503-01	Drawn By NMIT	Approved By RKAD	Rev 05
------------	--	-------------------------	----------------------------	------------------

Date: Monday, June 25, 2018 Sheet 4 of 7



CYPRESS
EMBEDDED IN TOMORROW™

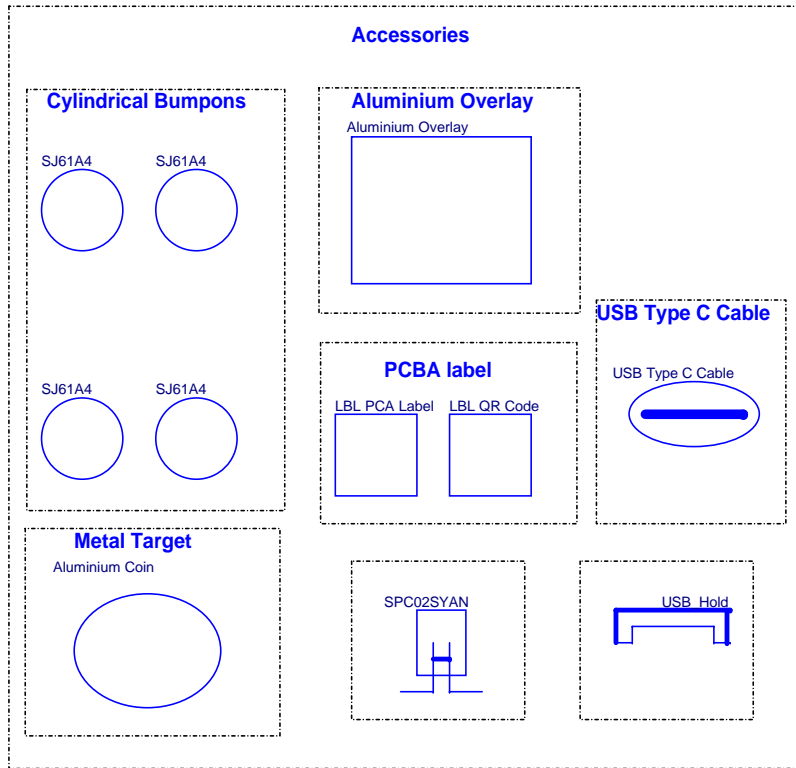
CYPRESS SEMICONDUCTOR
198 CHAMPION COURT
SAN JOSE, CA 95134
(408) 943-2600


CYPRESS SEMICONDUCTOR © 2018

SCH Title : CY8CKIT-148 PSoC 4700S Inductive Sensing Evaluation Kit

Page Title : Inductive Sensing Interface

Size A4	Document Number 630-60503-01	Drawn By NMIT	Approved By RKAD	Rev 05
Date: Thursday, June 07, 2018		Sheet 5 of 7		



 CYPRESS <small>EMBEDDED IN TOMORROW™</small>		CYPRESS SEMICONDUCTOR 198 CHAMPION COURT SAN JOSE, CA 95134 (408) 943-2600		
CYPRESS SEMICONDUCTOR © 2018				
SCH Title : CY8CKIT-148 PSoC 4700S Inductive Sensing Evaluation Kit				
Page Title : Accesories				
Size A4	Document Number 630-60503-01	Drawn By NMIT	Approved By RKAD	Rev 05
Date: Wednesday, May 30, 2018		Sheet 6 of 7		

REVISION HISTORY

Rev	DESCRIPTION	DATE
01	Prototyping Kit Version	1/2/2018
02	Embedded World Release	1/3/2018
03	Definition Changed. Prototyping Kit version for new definition	1/4/2018
04	Beta Release	5/8/2018
05	Public Release v1	5/28/2018



CYPRESS
EMBEDDED IN TOMORROW™

CYPRESS SEMICONDUCTOR
198 CHAMPION COURT
SAN JOSE, CA 95134
(408) 943-2600

CYPRESS SEMICONDUCTOR © 2018

SCH Title : CY8CKIT-148 PSoC 4700S Inductive Sensing Evaluation Kit

Page Title : Revision History

Size A4	Document Number 630-60503-01	Drawn By NMIT	Approved By RKAD	Rev 05
Date:	Monday, May 28, 2018		Sheet	7 of 7