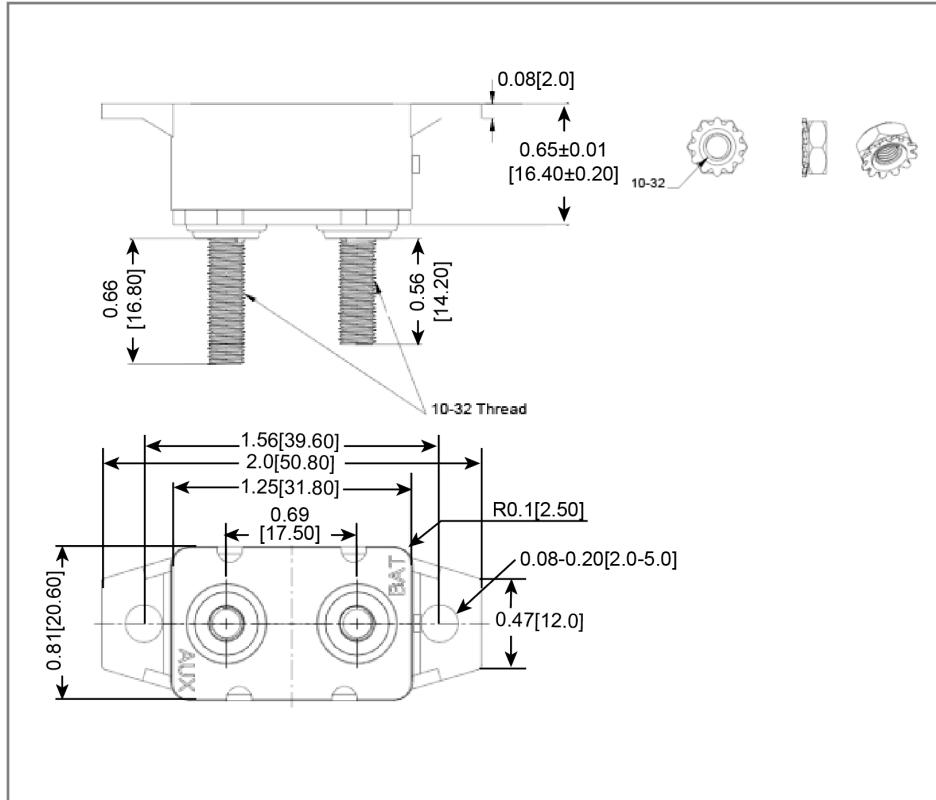


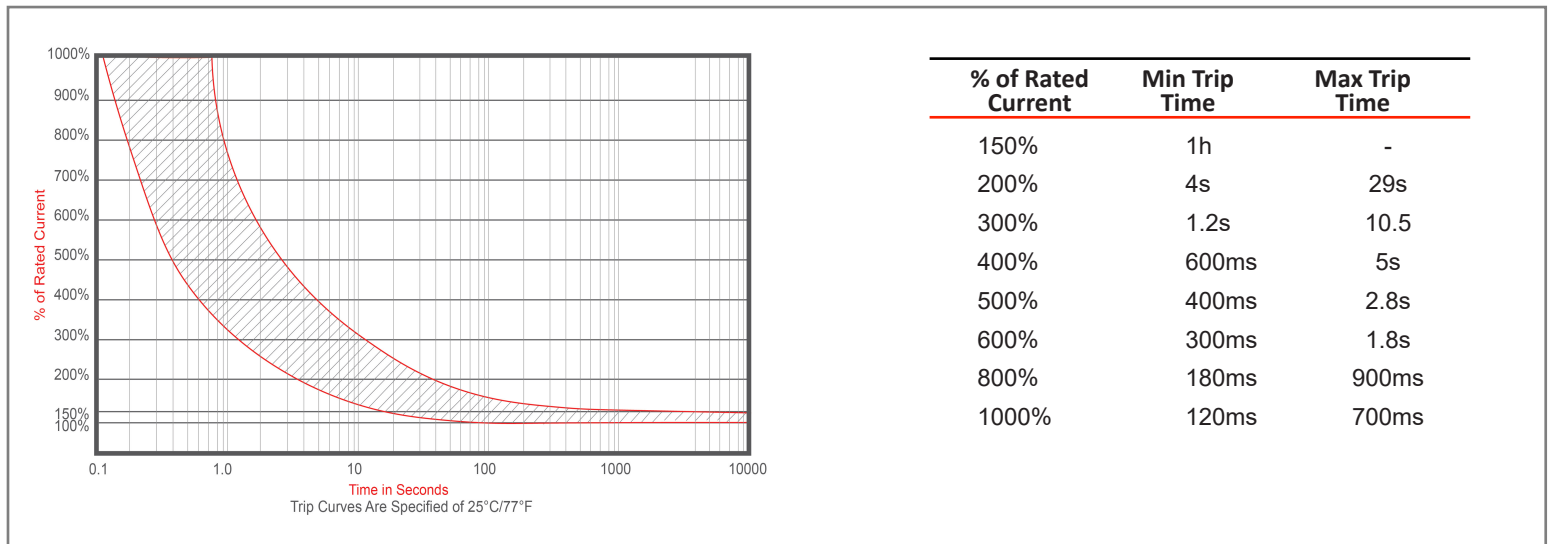
Mechanical Dimensions: Inches [mm]



Part Numbers Information

Optifuse P/N	Current	Body Color
MRCBP-V-10C	10A	Gray
MRCBP-V-15C	15A	Blue
MRCBP-V-20C	20A	Yellow
MRCBP-V-25C	25A	White
MRCBP-V-30C	30A	Green
MRCBP-V-40C	40A	Orange
MRCBP-V-50C	50A	Red

Time vs. Percent of Rated Current



Electrical Specifications

Voltage Rating	32VDC
Reset Type	Type III – Manual Reset
Limited Short Circuit Current	1000A (UL1077)
Insulation Resistance	DC 500V 100M ohm 5 sec
Dielectric Strength	AC 1500V 1 minute

Material Specifications

Body Reset button	Thermoplastic (UL94V-0) Thermoset
Terminals	Battery – Copper Plate (0.58"), Auxiliary – Zinc Plate (0.66")
Operation Temperature	-10°C ~ 60°C
Studs Torque	3.0±0.3 N.m
Ingress Protection	IP63

Ambient Temperature Correction Factor

-5 °C	(3A-4A)x 1.2, (5A-30A)x 1.12
+40 °C	(3A-4A)x 0.92, (5A-30A)x 0.94

The time/current characteristic curve depends on the ambient temperature prevailing. In order to eliminate nuisance tripping. Please multiply the current breaker current ratings by the derating factor shown below.

Example:

Normal Continuous Current	10A	
Ambient Temperature	40 °C	
Multiplication Factor	0.94	
Recommended Rating	$10A/0.94=10.6A$	
Select the Nearest Rating	11A	

Rev Date of issue Revision Notes

Designed Approved

E	05-18-2023	Initial Drawing	RC	OF
---	------------	-----------------	----	----