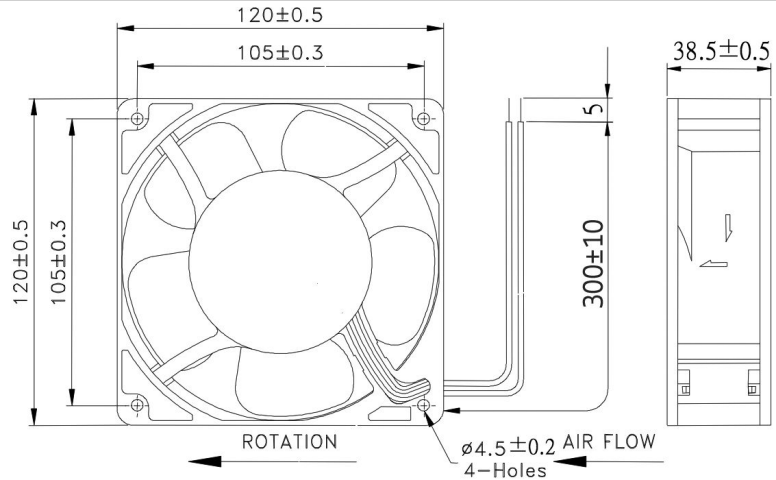


OD1238 Sealed Sleeve Series



DC Fans - 12, 24V
120mm x 38.5mm (4.7" x 1.5")



Frame	PBT, UL94 V-0 Plastic	<p>Operating Temperature -10°C ~ +70°C</p> <p>Storage Temperature -20°C ~ +70°C</p> <p>Life Expectancy 50,000 Hours (L10 at 40°C)</p> <p>Available Options Ball Bearings Tachometer Output Alarm Output PWM Speed Control Input Temperature Speed Control IP Ratings</p> <p>Weight: 0.57 lbs</p>	
Impeller	PBT, UL94 V-0 Plastic		
Connection	2x Lead Wires, 24 AWG		
Motor	Brushless DC, Auto Cutoff, Auto Restart, Polarity Protected, Electronically Protected		
Bearing System	Sealed Sleeve		
Dielectric Strength	500VDC/min, <1mA		
Insulation Resistance	$\geq 10M\Omega$ @ 500 VDC		

Part Number	Rated Voltage (Volts DC)	Voltage Range (Volts DC)	Input Power (Max Watts)	Rated Current (Max Amps)	Rated Speed (RPM)	Max Airflow (CFM)	Noise Level (dBA)	Max Static Pressure ("H ₂ O)
OD1238-12HSS	12	9 ~ 13.8	6.0	0.50	2800	105	47	0.27
OD1238-24MSS	24	16 ~ 26	5.5	0.23	2540	96	47	0.23