

RFPC-SMA16-FN: SMA Straight Bulkhead Jack With O-ring, PCB Connector, Rated to IP67/68, 3GHz

Material and Plating:

- Insulator A: Teflon
- Insulator B: Teflon
- Body: Brass, Gold Plated
- Pin: Phosphor Bronze, Gold Plated
- Gasket: Silicon, Color: Red
- O-Ring: Silicone, Color: Red

Washer: Brass, Gold Plated

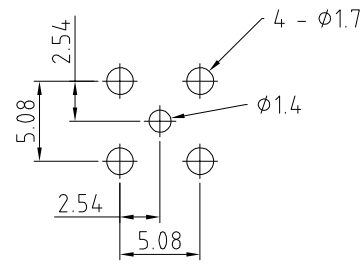
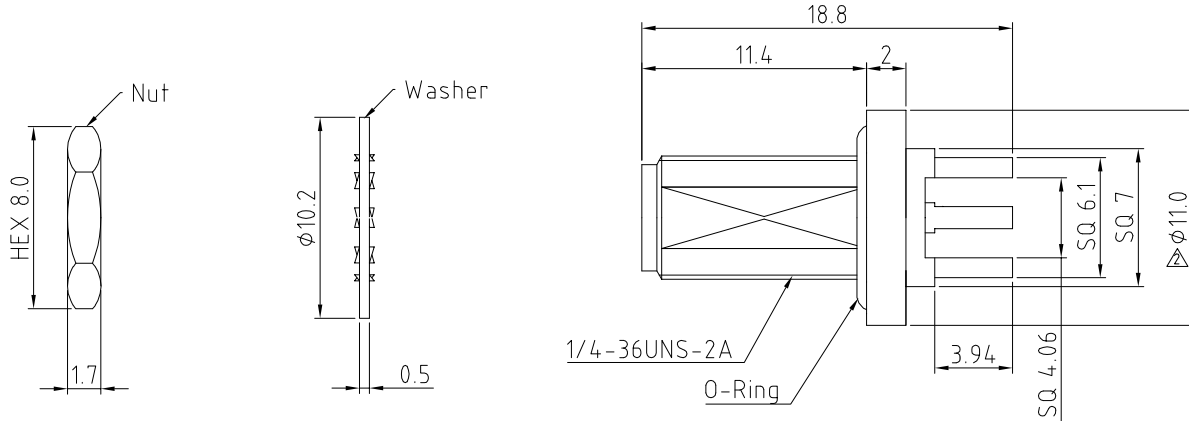
Nut: Brass, Gold Plated

Environmental:

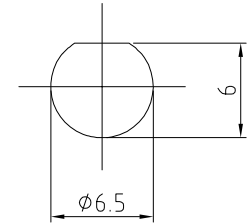
- A. Tested to:
 - i. IP6x - Dust tight - no particle ingress.
 - ii. IPx7 Waterproof for 30 minutes up to 1 meter underwater.
 - iii. IPx8 Waterproof for 48 hours at 1 meter underwater.

Notes:

- Packaging Type: Tray.
- Working Frequency Range: DC-3GHz.
- Operating Temperature: -55°C~+155°C
- The waterproof sealing function will work once the sealing o-ring is completely pressed and fitted to the device's panel.
- Impedance: 50 ohm.



Recommended PCB Hole Layout



Recommended Mounting Hole

HOW TO ORDER
 RFPC - SMA16 - FN - X
 WASHER AND NUT OPTIONS:
 BLANK = SEPARATELY PACKED (STANDARD)
 A = ALL ASSEMBLED WITH CONNECTOR

REV. DATE & DRN	TO 30/07/18 - NYW RELEASE
11 30/07/18 - NYW	AMEND PIN MATERIAL
12 27/12/18 - NYW	AMEND DIMENSION
13 18/02/19 - NYW	ADD WASHER & NUT OPTIONS
14 02/02/22 - NYW	ADD OPERATING TEMP.
15 25/02/22 - NYW	ADD 'SQ' TO DIMENSIONS
16 14/02/23 - NYW	ADD IMPEDANCE

Scale: NTS	THIRD ANGLE	Unstated X XX XXX ANGLES	Tolerances: N/A N/A N/A N/A
Drawn: NYW			
App'd: XXX	Title SMA PCB Connector		
Date: 14 FEB '23	Revision: 16	Unit: mm	

IP67/68 Rated Cables

www.gradconn.com

© THIS DRAWING IS CONFIDENTIAL AND MUST NOT BE COPIED OR DISCLOSED WITHOUT WRITTEN CONSENT

Type: RFPC-SMA16-FN
RFPC-SMA16-FN
Drawing Number:
Sheet 1 of 1
Drawing © E and O E