

THIS DRAWING IS UNPUBLISHED. RELEASED FOR PUBLICATION 20
 © COPYRIGHT 20 BY - ALL RIGHTS RESERVED.

ITEM	DESCRIPTION	MATERIAL	OTHERS
1	MALE CONTACT	COPPER ALLOY	GOLD PLATED
2	MALE HOUSING	NYLON	BLACK
3	MALE NUT	COPPER ALLOY	NICKEL PLATED
4	FEMALE CONTACT	COPPER ALLOY	GOLD PLATED
5	FEMALE HOUSING	NYLON	BLACK
6	FEMALE NUT	COPPER ALLOY	NICKEL PLATED
7	O-RING	SILICONE	GRAY
8	OVER-MOLDING	PVC/TPU	BLACK
9	SHIELDED SHELL	COPPER ALLOY	NICKEL PLATED
10	CABLE	PVC/PUR JACKET	GRAY/VIOLET
11	LABEL	-	-

REVISIONS				
P	LTR	DESCRIPTION	DATE	APVD
A		INITIAL RELEASE	29JUL2019	A.Z C.W
A1		CLARIFY TYPICAL PNS	22JUN2020	A.Z C.W

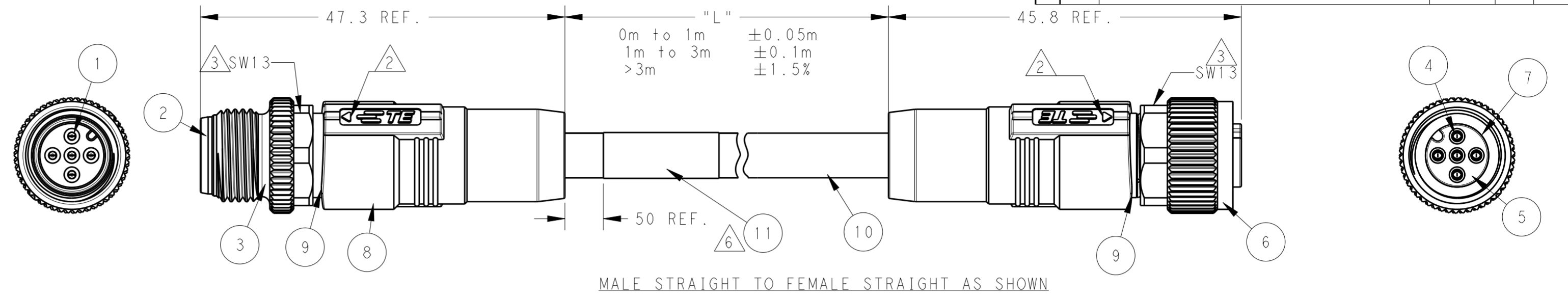
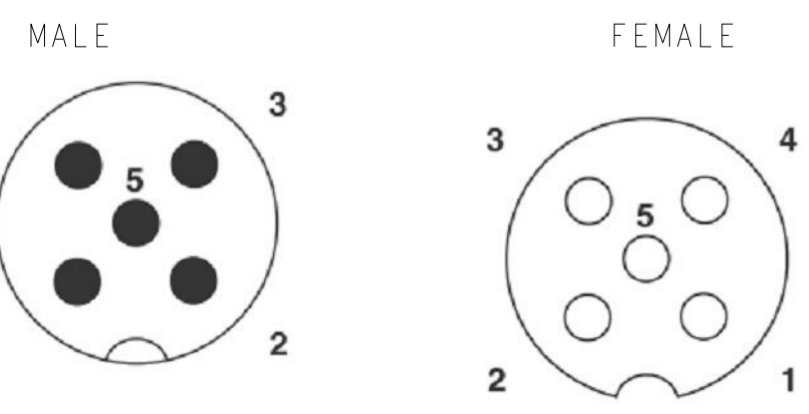
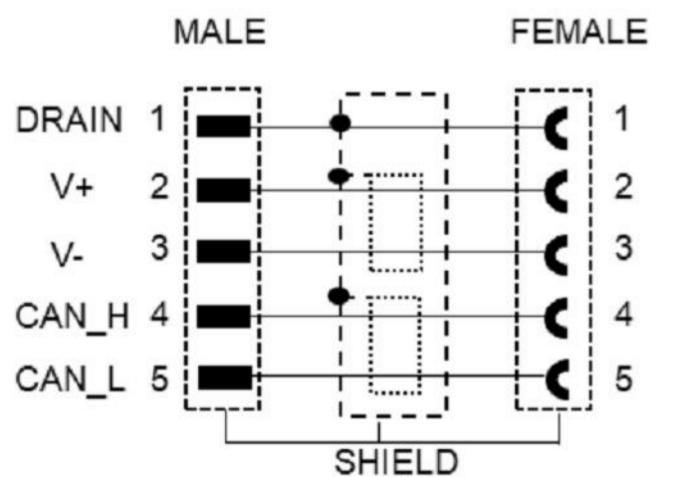
NOTE:
 ①. TECHNICAL DATA SEE TABLE1
 ②. CODE POSITION INDICATOR
 ③. RECOMMENDED TORQUE 0.6 Nm
 ④. -** :CABLE LENGTH, FOR EXAMPLE: -0.5M
 5. CABLE ASSEMBLY TO BE PACKAGED IN POLYBAGS
 ⑥. LABEL CONTAINS: PN, DATE CODE...

注释:
 ①. 技术参数参考表1
 ②. CODE位置指示
 ③. 推荐扭矩0.6 Nm
 ④. -** : 线缆长度, 例如: -0.5M
 5. 线缆组件塑料袋包装
 ⑥. 标签包含: 产品编号, 日期代码...

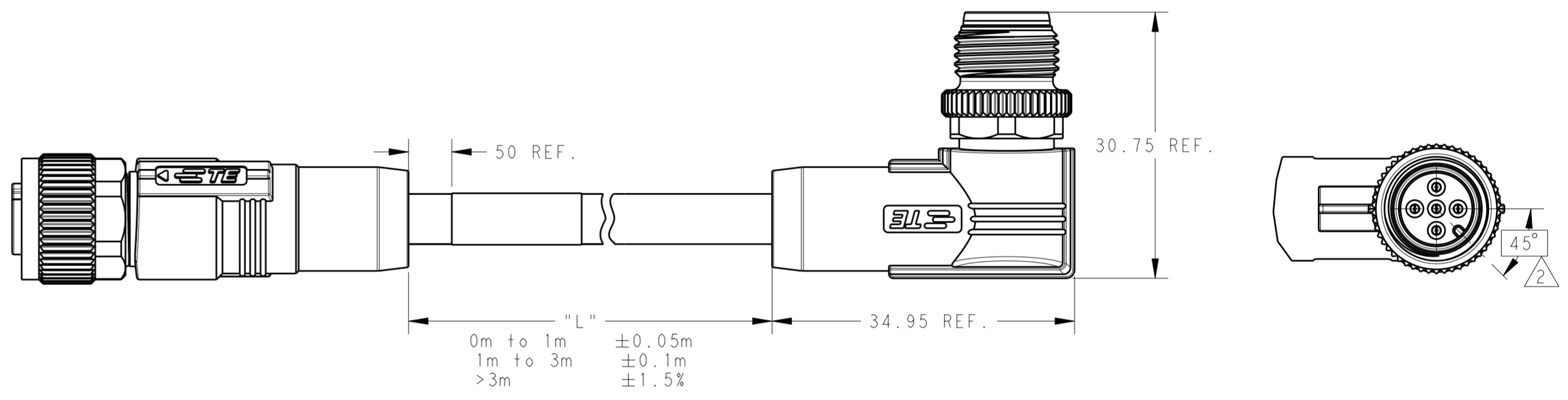
CIRCUIT DIAGRAM
A-CODE

PIN 4 CAN_H WHITE
 PIN 5 CAN_L BLUE
 PIN 1 DRAIN BARE
 PIN 3 V- BLACK
 PIN 2 V+ RED

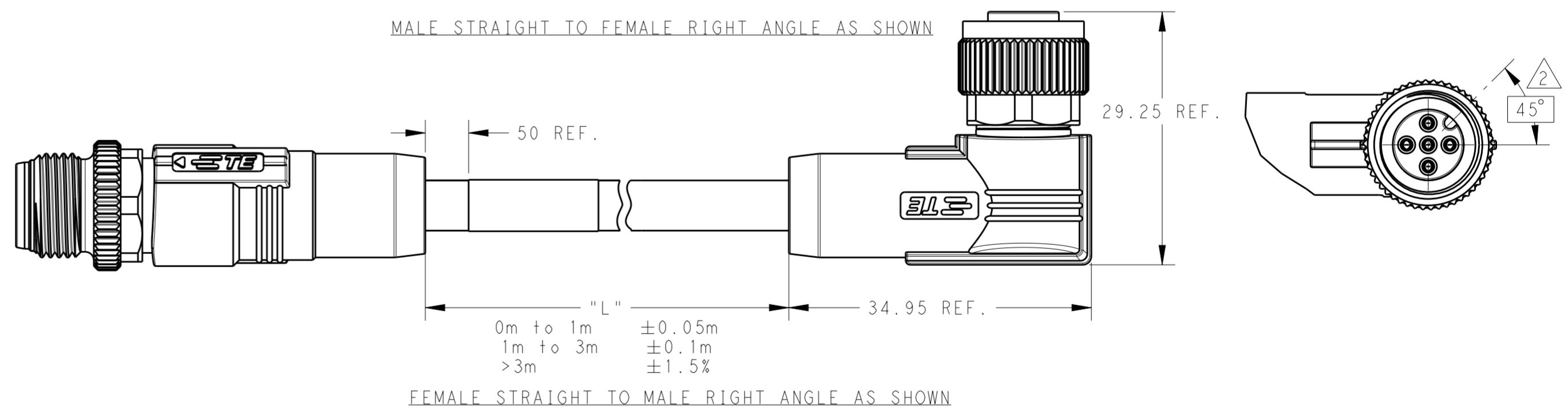
CIRCUITDIAGRAM



MALE STRAIGHT TO FEMALE STRAIGHT AS SHOWN



MALE STRAIGHT TO FEMALE RIGHT ANGLE AS SHOWN



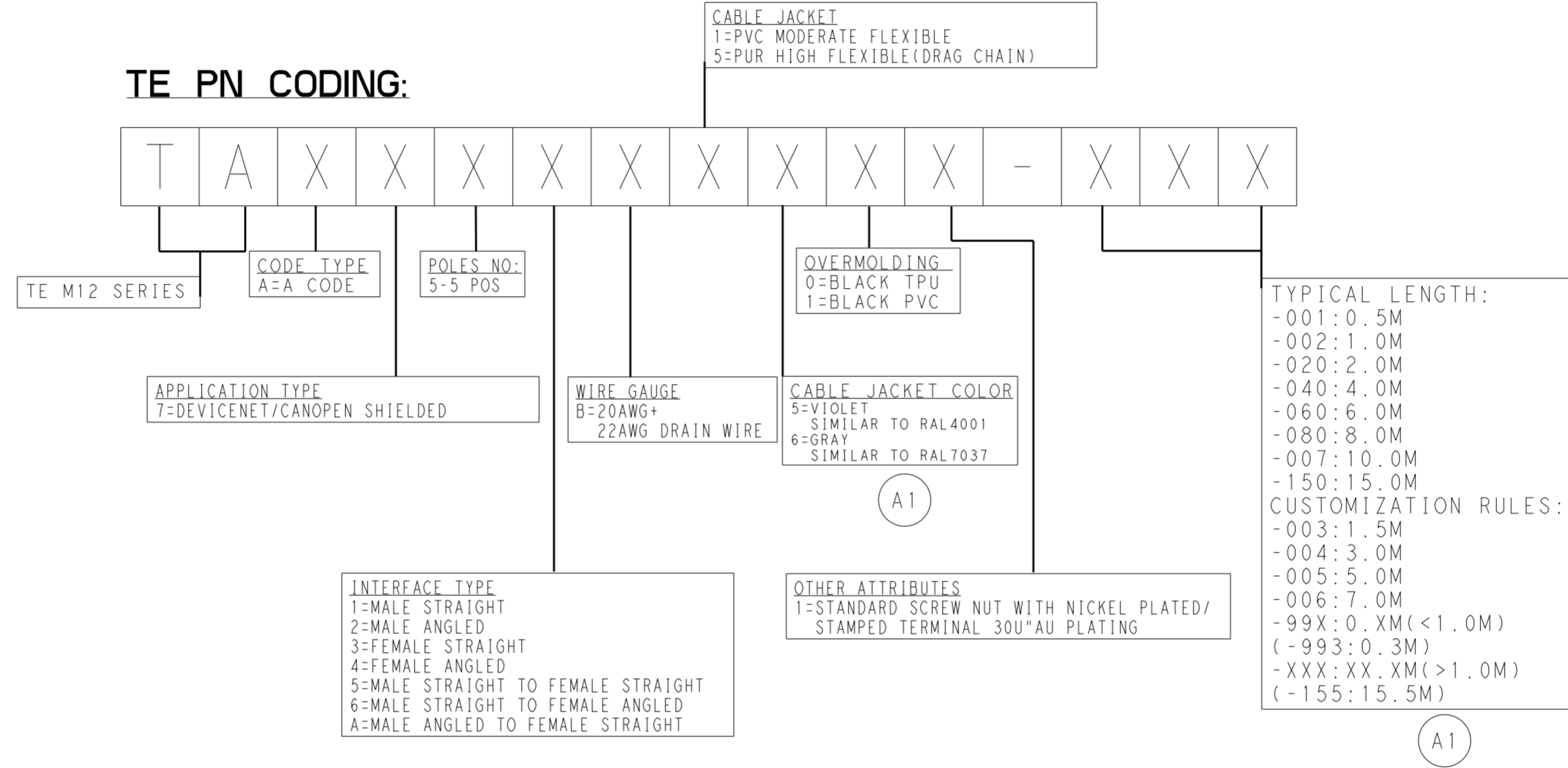
FEMALE STRAIGHT TO MALE RIGHT ANGLE AS SHOWN

THIS DRAWING IS A CONTROLLED DOCUMENT.		DWN 11APR2019 ALEX ZHANG	TE Connectivity
DIMENSIONS: mm		CHK 11APR2019 HART HE	
TOLERANCES UNLESS OTHERWISE SPECIFIED:		APVD 11APR2019 CHRIS WANG	NAME M12 A CODE CABLE ASSY, SHIELDED 5P, MALE TO FEMALE
0 PLC ±		PRODUCT SPEC 108-106140	SIZE A2
1 PLC ±		APPLICATION SPEC 114-137144	CAGE CODE -
2 PLC ±		WEIGHT -	DRAWING NO. C-TAA75XXXXXXX
3 PLC ±		CUSTOMER DRAWING	RESTRICTED TO
4 PLC ±		SCALE 2:1	SHEET 1 OF 2
ANGLES ±			REV A1
FINISH -			

THIS DRAWING IS UNPUBLISHED. RELEASED FOR PUBLICATION 20
 © COPYRIGHT 20 BY - ALL RIGHTS RESERVED.

REVISIONS				
P	LTR	DESCRIPTION	DATE	APVD
-		SEE SHEET 1	-	-

TE PN CODING:



TECHNICAL DATA	
RATED VOLTAGE	60V
RATED IMPULSE VOLTAGE	1500V
RATED CURRENT	4A
POLLUTION DEGREE	3
OVERVOLTAGE CATEGORY	II
MATERIAL GROUP	II
DEGREE OF PROTECTION	IP67

WIRES: 2X22AWG+2X24AWG +1X22 AWG DRAIN WIRE WIRE COLOR: WHITE/BLUE/RED/BLACK OD: APPROX. 6.9MM PUR JACKET, VIOLET OPERATION TEMPERATURE RATING: 80°C UL OPERATION TEMP RATING: -40°C To +80°C DRAG CHAIN TEST: MIN. 0.5 MILLION CYCLES, DIAMETER 75MM, SPEED 2m/s, ACCELERATION 2m/s ²	TYPICAL LENGTH: -001:0.5M -002:1.0M -020:2.0M -040:4.0M -060:6.0M -080:8.0M -007:10.0M -150:15.0M CUSTOMIZATION RULES: -003:1.5M -004:3.0M -005:5.0M -006:7.0M -99X:0.XM(<1.0M) (-993:0.3M) -XXX:XX.XM(>1.0M) (-155:15.5M)	VIOLET	PUR	M12A5-MR-FS-PUR-***	5	TAA75AA5501-XXX
WIRES: 2X22AWG+2X24AWG +1X22 AWG DRAIN WIRE WIRE COLOR: WHITE/BLUE/RED/BLACK OD: APPROX. 7.1MM TEMPERATURE RATING: 75°C UL OPERATION TEMP RATING: -10°C To +80°C		GRAY	PVC	M12A5-MS-FR-PUR-***		TAA756A5501-XXX
				M12A5-MS-FS-PUR-***		TAA755A5501-XXX
				M12A5-MR-FS-PVC-***	TAA75AA1611-XXX	
				M12A5-MS-FR-PVC-***	TAA756A1611-XXX	
				M12A5-MS-FS-PVC-***	TAA755A1611-XXX	
CABLE CHARACTERISTIC	LENGTH "L"	JACKET COLOR	JACKET MATERIAL	TYPE	POS.	TE PN

THIS DRAWING IS A CONTROLLED DOCUMENT.

DIMENSIONS: mm	TOLERANCES UNLESS OTHERWISE SPECIFIED:	DWN: ALEX ZHANG 11APR2019	TE Connectivity NAME: M12 A CODE CABLE ASSY, SHIELDED 5P, MALE TO FEMALE SIZE: A2 CAGE CODE: - DRAWING NO: C-TAA75AXXXXXXX RESTRICTED TO:
	0 PLC ±	CHK: HART HE 11APR2019	
MATERIAL: -	1 PLC ±	APVD: CHRIS WANG 11APR2019	
	2 PLC ±	PRODUCT SPEC: 108-106140	
	3 PLC ±	APPLICATION SPEC: 114-137144	SCALE: 1:1 SHEET 2 OF 2 REV: A1
	4 PLC ±	WEIGHT: -	CUSTOMER DRAWING