

1

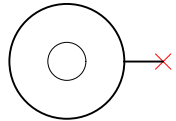
2

3

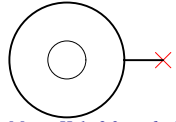
4

A

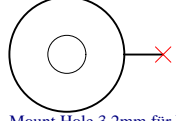
A



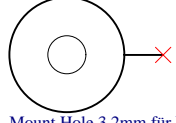
Mount.Hole 3.2mm für Unterlegscheibe



Mount.Hole 3.2mm für Unterlegscheibe



Mount.Hole 3.2mm für Unterlegscheibe



Mount.Hole 3.2mm für Unterlegscheibe

ZYNQ_MISC
ZYNQ_MISC.SchDoc



DDR-RAM
DDR-RAM.SchDoc



Interface
Interface.SchDoc



Power
Power.SchDoc



ETH-PHY
ETH-PHY.SchDoc



U_ETH-PHY2
ETH-PHY2.SchDoc



DDR
PS-DDR.SchDoc



U_Revision_Changes
Revision_Changes.SchDoc



MIO_B501
MIO_B501.SchDoc



MIO_B500
MIO_B500.SchDoc



POWER
ZYNQ_POWER.SchDoc



B13
B13.SchDoc



B34
B34.SchDoc



B34
B35.SchDoc



U_B33
B33.SchDoc



B

B

C

C

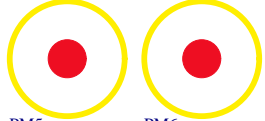
FIDU-DOT - small FIDU-DOT - small



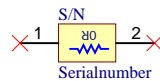
PM1 PM2
FIDU-DOT - small FIDU-DOT - small



PM3 PM4
FIDU-DOT - small FIDU-DOT - small



PM5 PM6



1

2

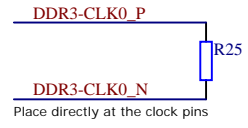
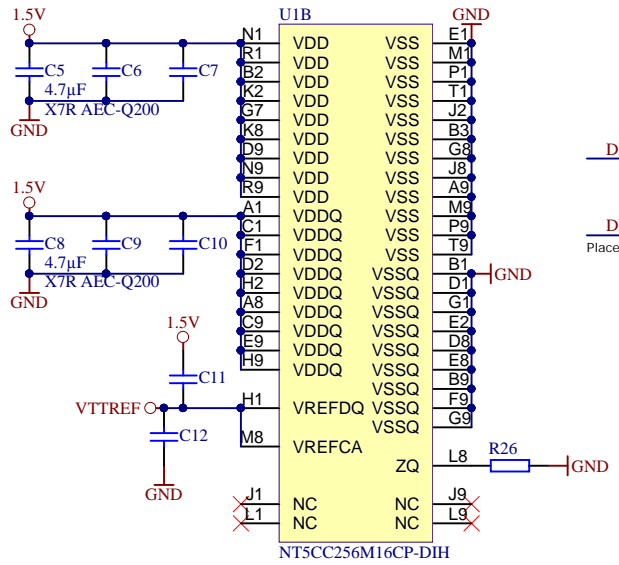
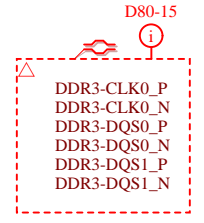
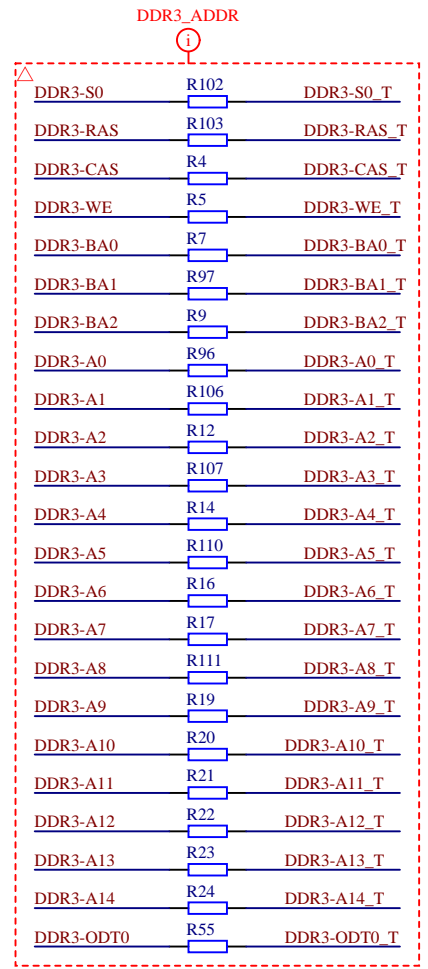
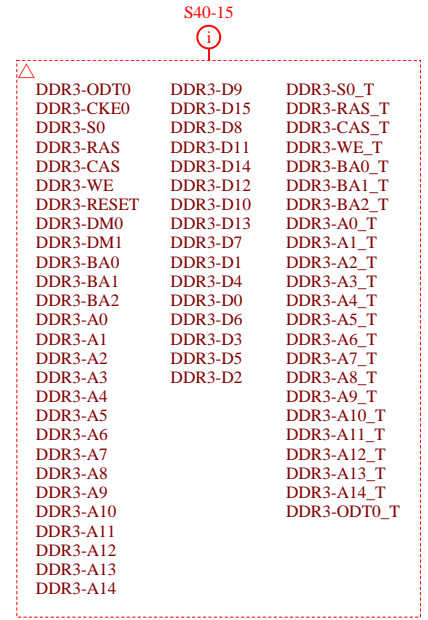
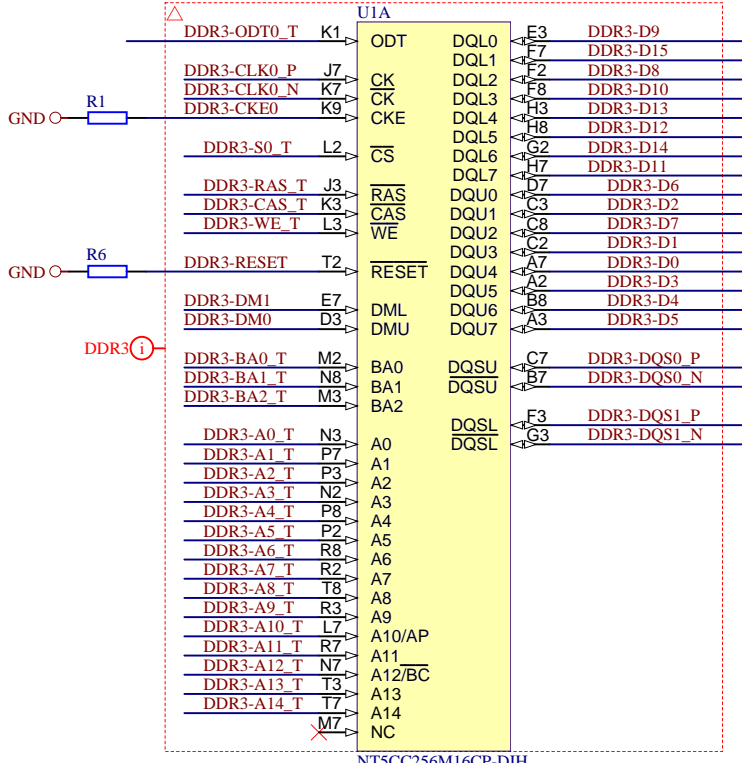
3

4

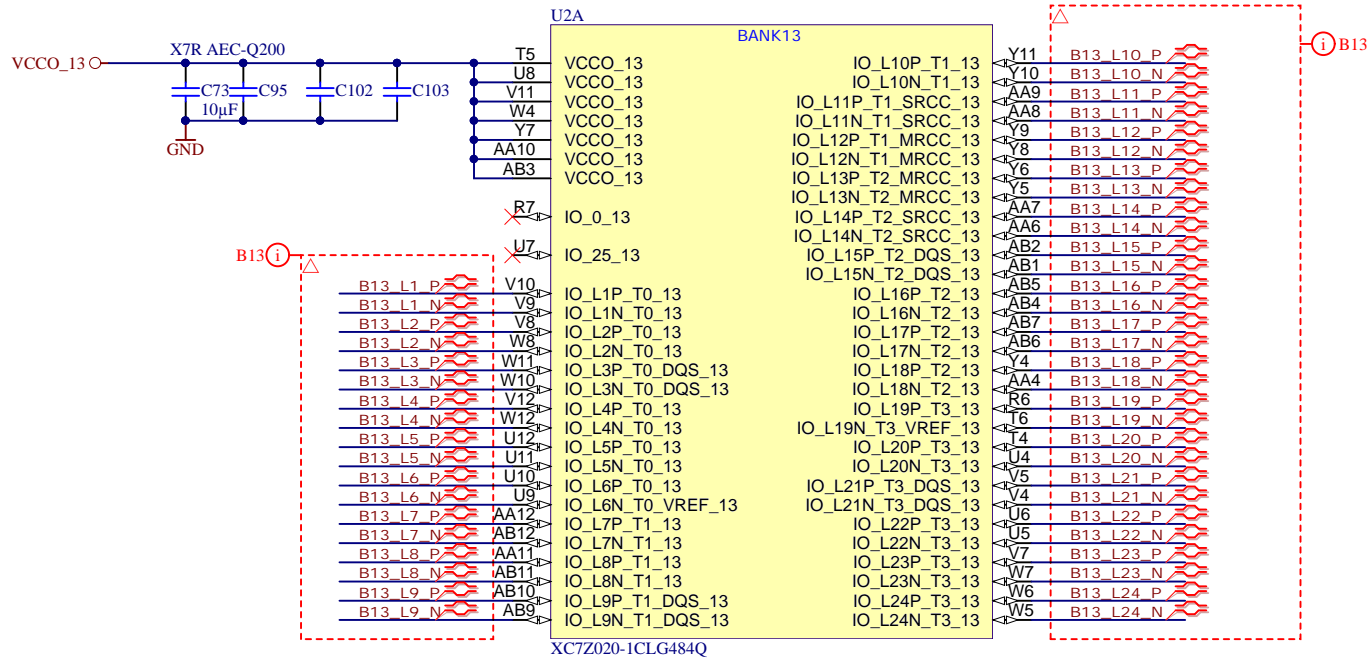
D

D

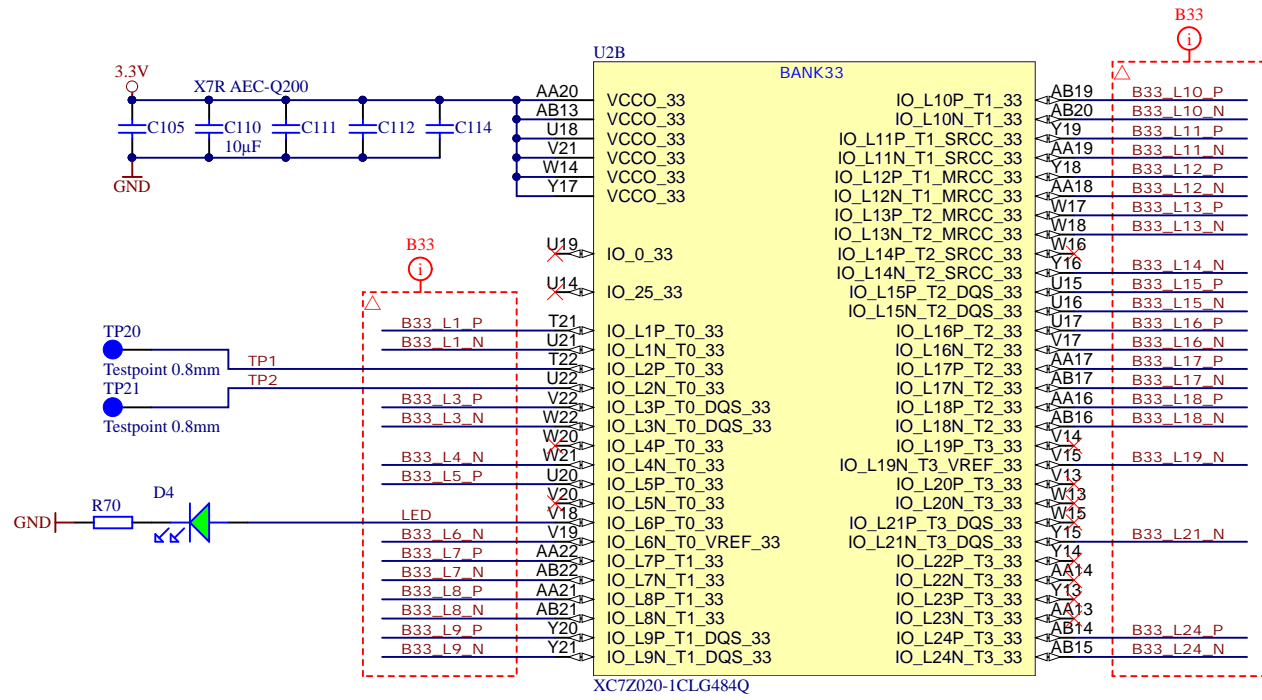
			Title: TE0728 - Overview		
			A4	Number: TE0728 Default	Rev. 04
Date: 2015-08-10		Copyright: Trenz Electronic GmbH / TT		Page1 of 16	
Filename: TE0728.SchDoc					



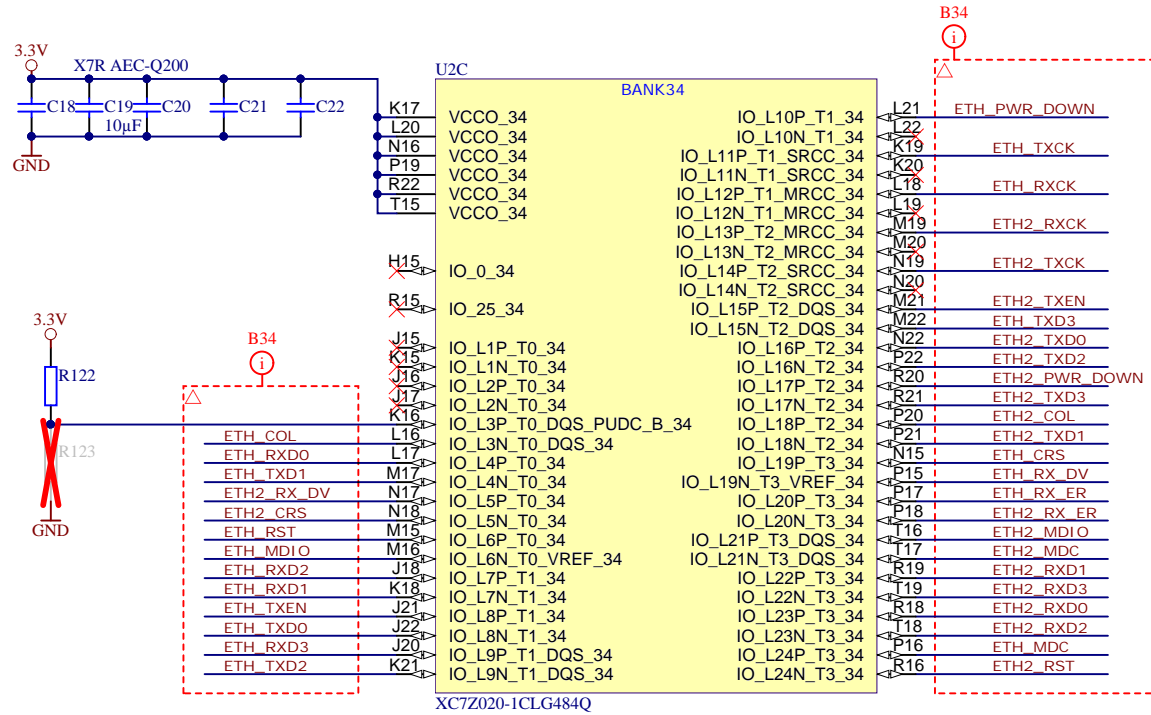
Title: TE0728 - DDR RAM		
A4	Number: TE0728 Default	Rev. 04
Date: 2015-08-10	Copyright: Trenz Electronic GmbH / TT	Page2 of 16
Filename: DDR-RAM.SchDoc		



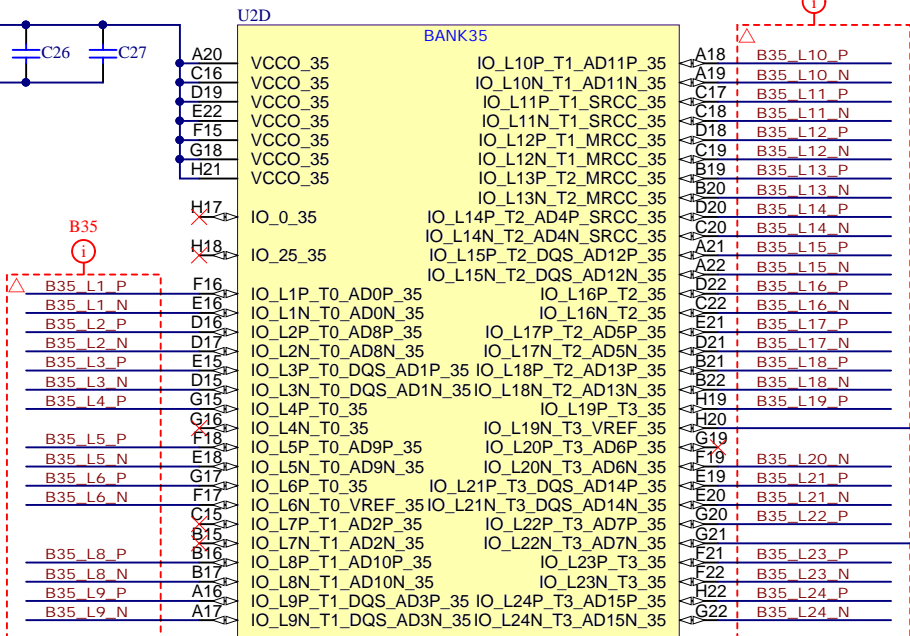
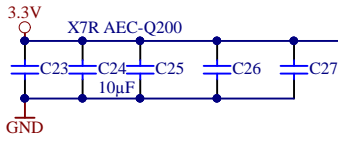
	Title: TE0728 - B13		
	A4	Number: TE0728 Default	Rev. 04
	Date: 2015-08-10	Copyright: Trenz Electronic GmbH / TT	Page 3 of 16
	Filename: B13.SchDoc		



Title: TE0728 - B33		
A4	Number: TE0728 Default	Rev. 04
Date: 2015-08-10	Copyright: Trenz Electronic GmbH / TT	Page 4 of 16
Filename: B33.SchDoc		



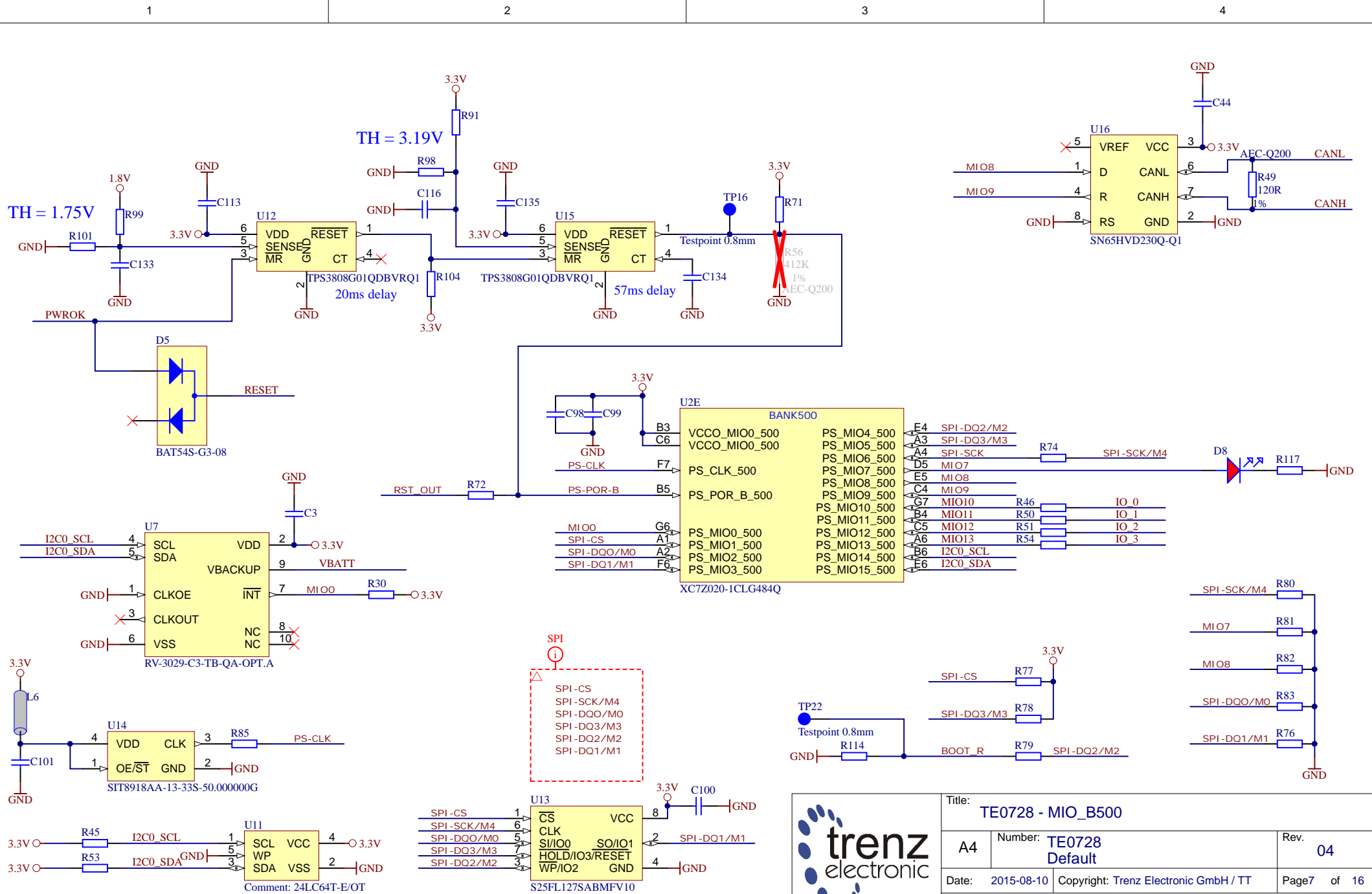
Title: TE0728 - B34		
A4	Number: TE0728 Default	Rev. 04
Date: 2015-08-10	Copyright: Trenz Electronic GmbH / TT	Page 5 of 16
Filename: B34.SchDoc		



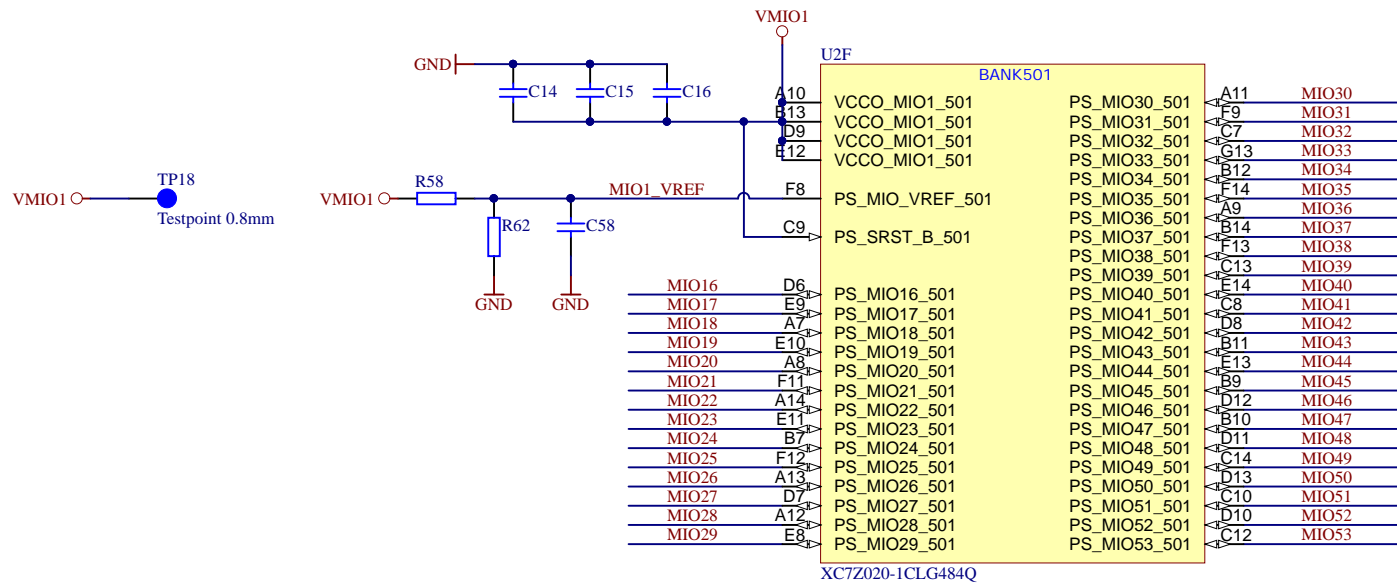
XC7Z020-1CLG484Q



Title: TE0728 - B35		
A4	Number: TE0728 Default	Rev. 04
Date: 2015-08-10	Copyright: Trenz Electronic GmbH / TT	Page 6 of 16
Filename: B35.SchDoc		



Title: TE0728 - MIO_B500			
A4	Number: TE0728 Default	Rev. 04	
Date: 2015-08-10	Copyright: Trenz Electronic GmbH / TT	Page 7 of 16	
Filename: MIO_B500.SchDoc			



	Title: TE0728 - MIO_B501		
	A4	Number: TE0728 Default	Rev. 04
	Date: 2015-08-10	Copyright: Trenz Electronic GmbH / TT	Page 8 of 16
	Filename: MIO_B501.SchDoc		

A

A

B

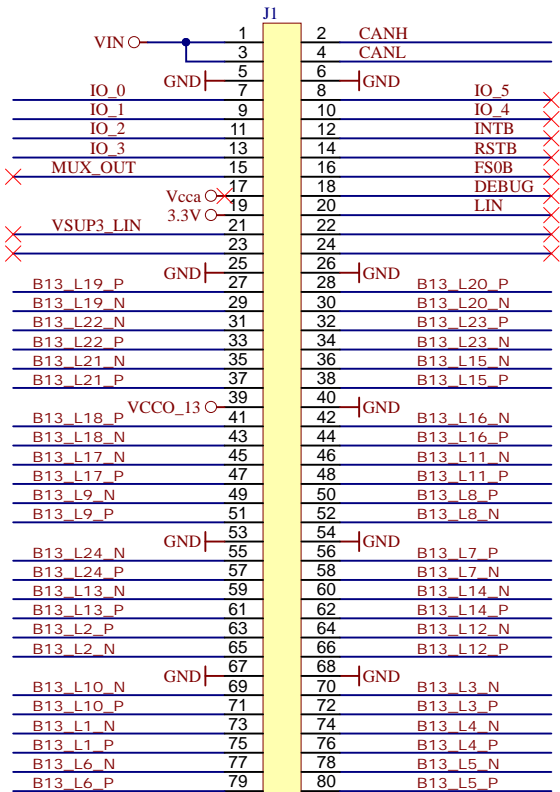
B

C

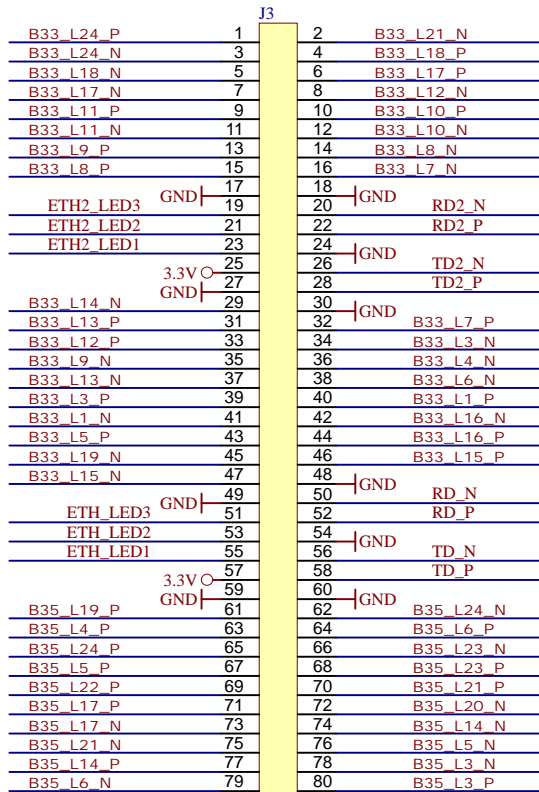
C

D

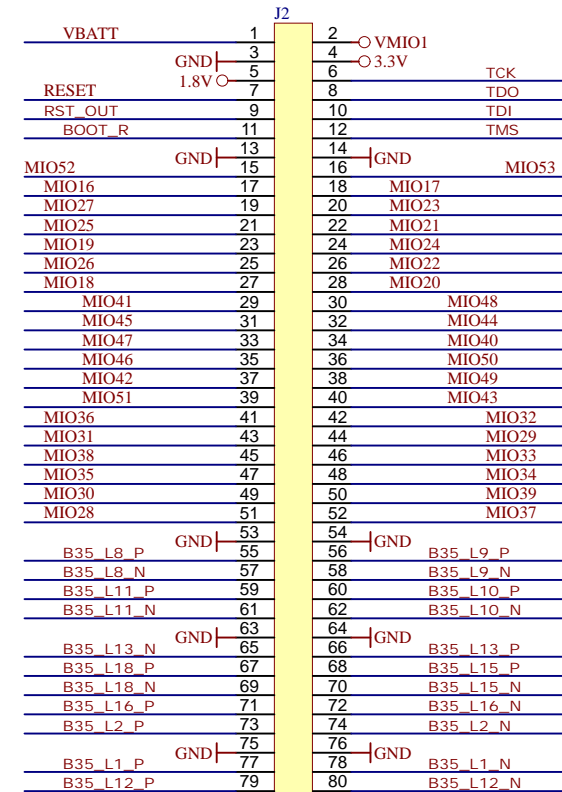
D



SEM-140-02-03.0-H-D-A



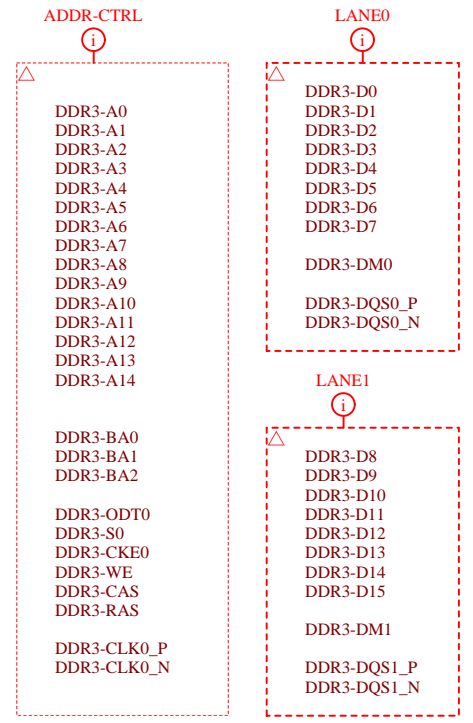
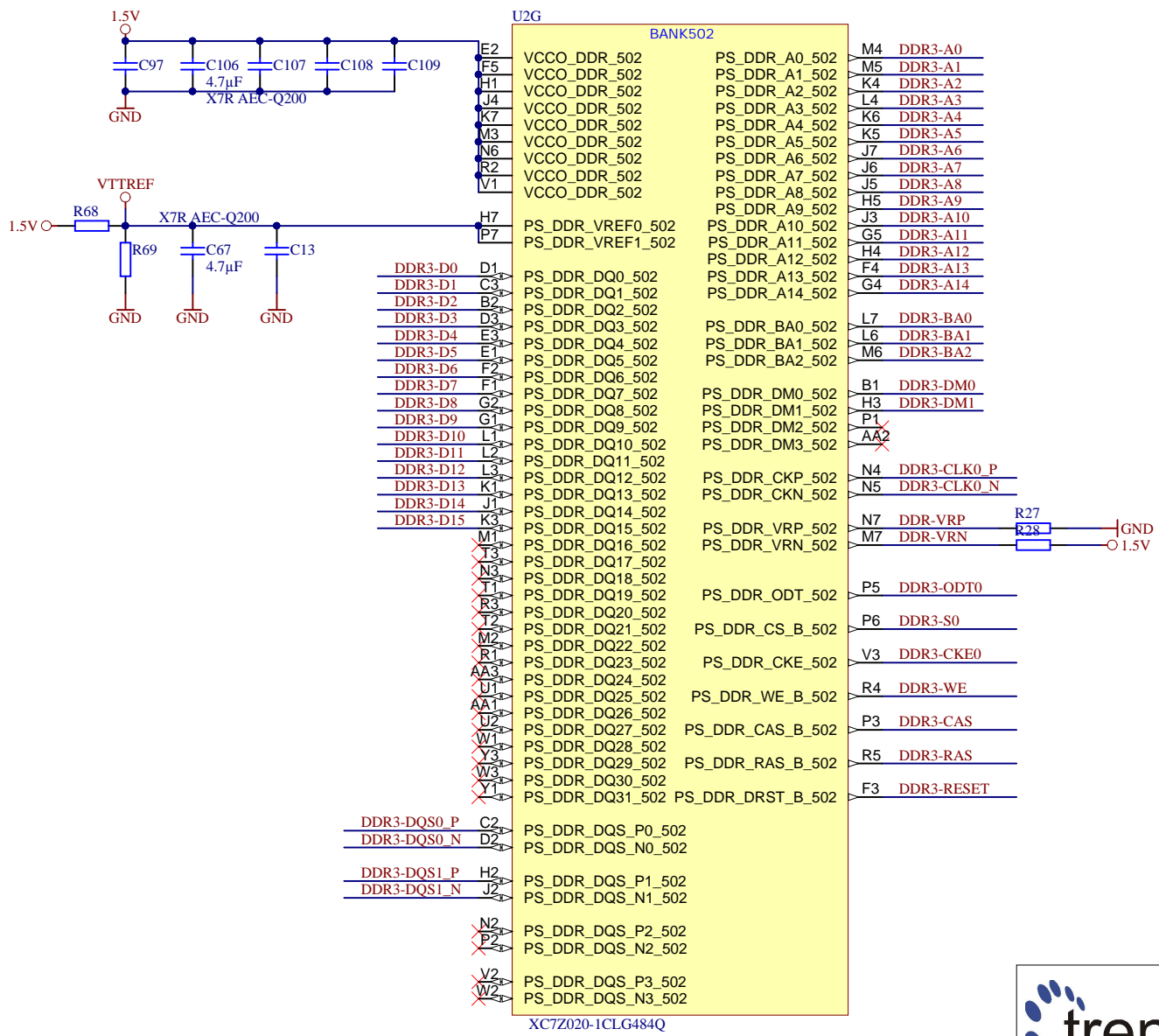
SEM-140-02-03.0-H-D-A



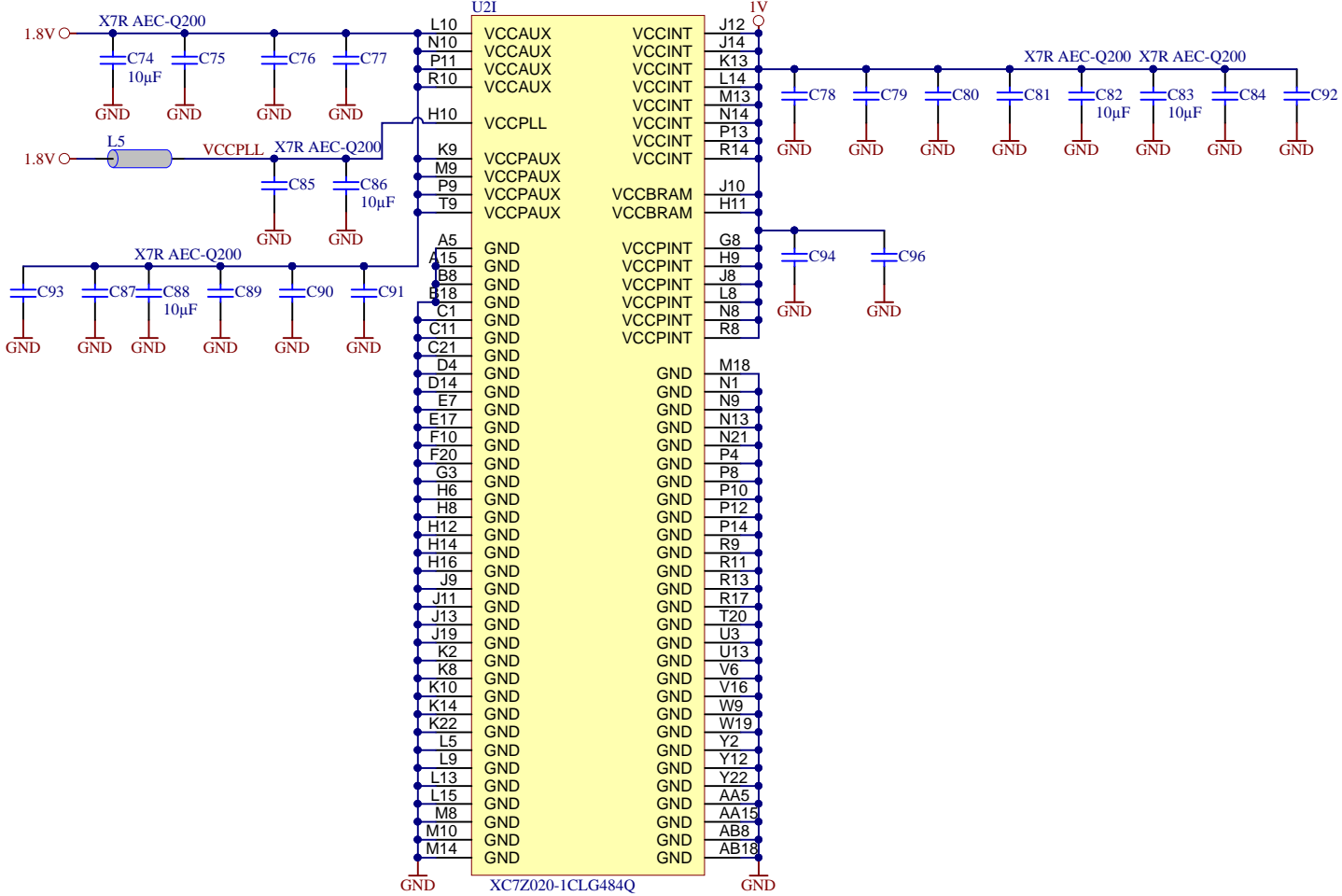
SEM-140-02-03.0-H-D-A



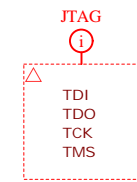
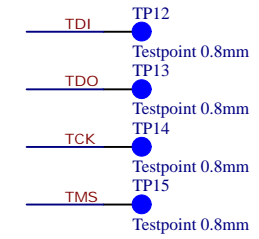
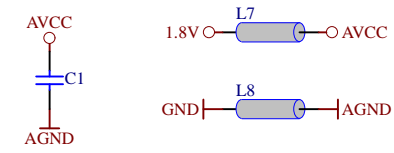
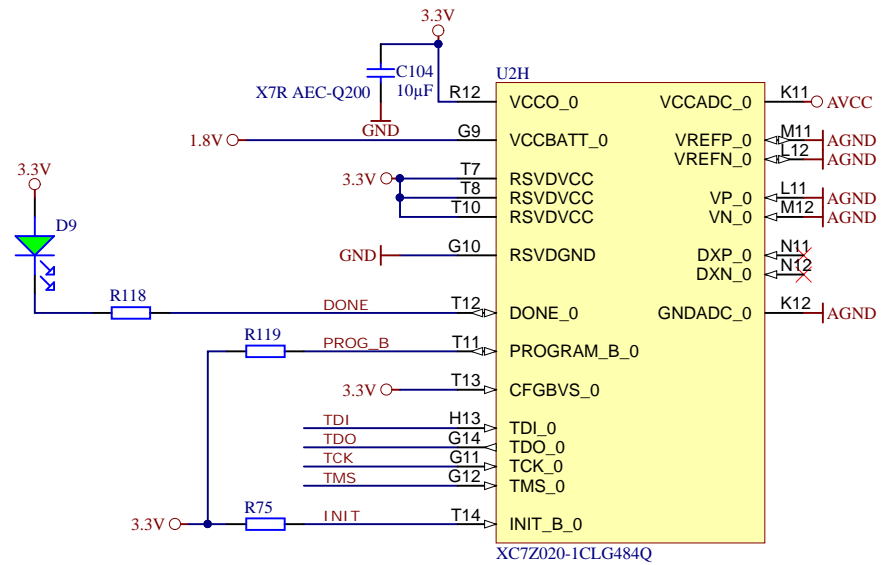
Title: TE0728 - Interface		
A4	Number: TE0728 Default	Rev. 04
Date: 2015-08-10	Copyright: Trenz Electronic GmbH / TT	Page 9 of 16
Filename: Interface.SchDoc		




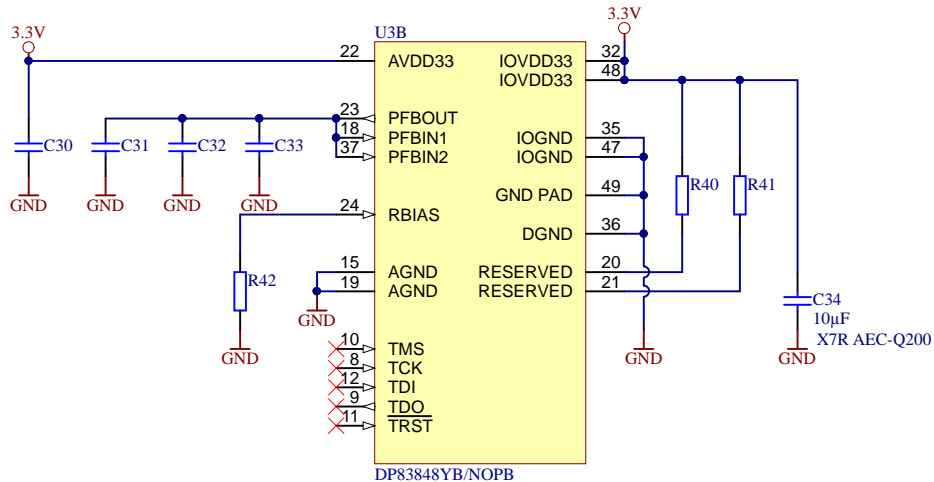
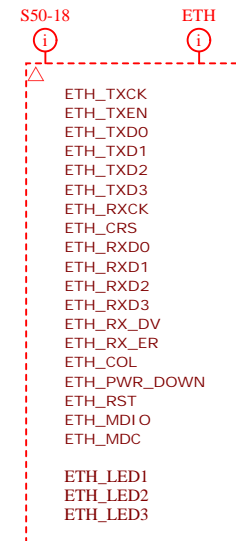
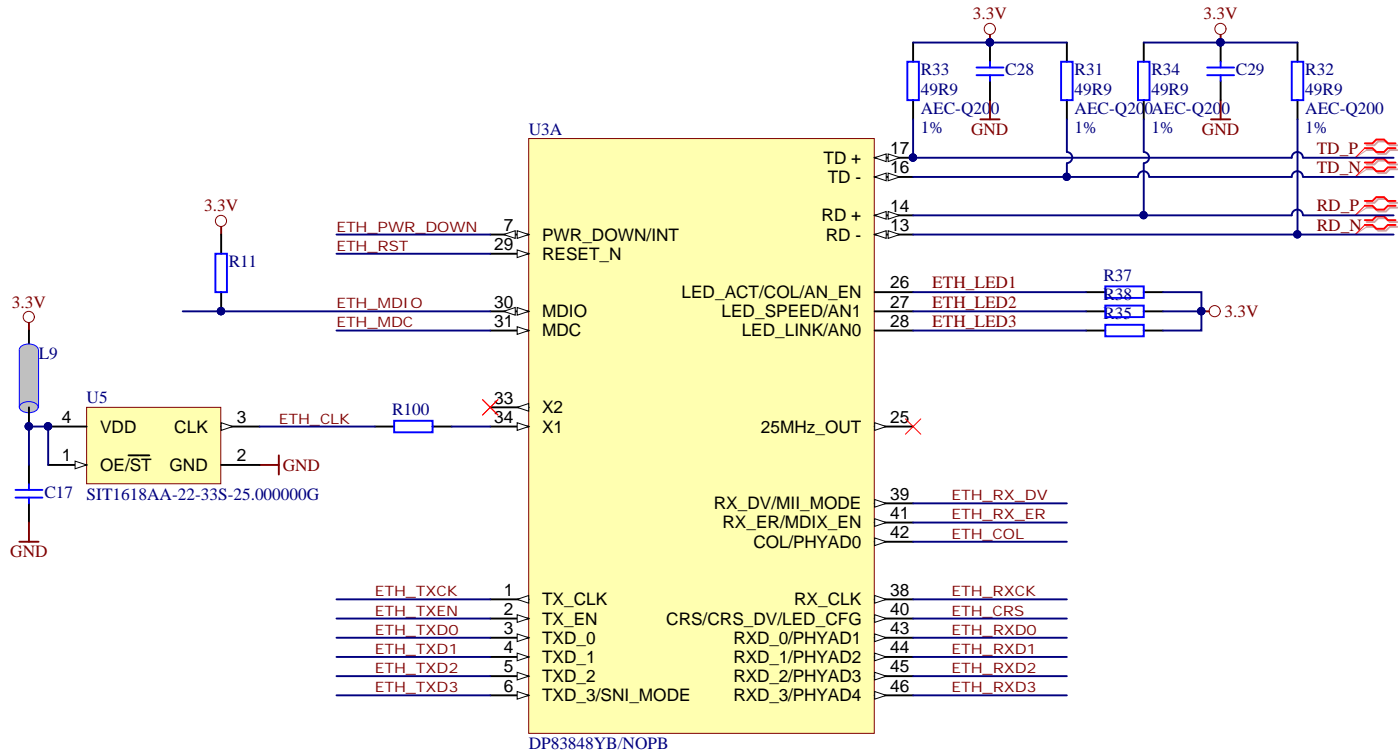
Title: TE0728 - PS DDR		
A4	Number: TE0728 Default	Rev. 04
Date: 2015-08-10	Copyright: Trenz Electronic GmbH / TT	Page 10 of 16
Filename: PS-DDR.SchDoc		



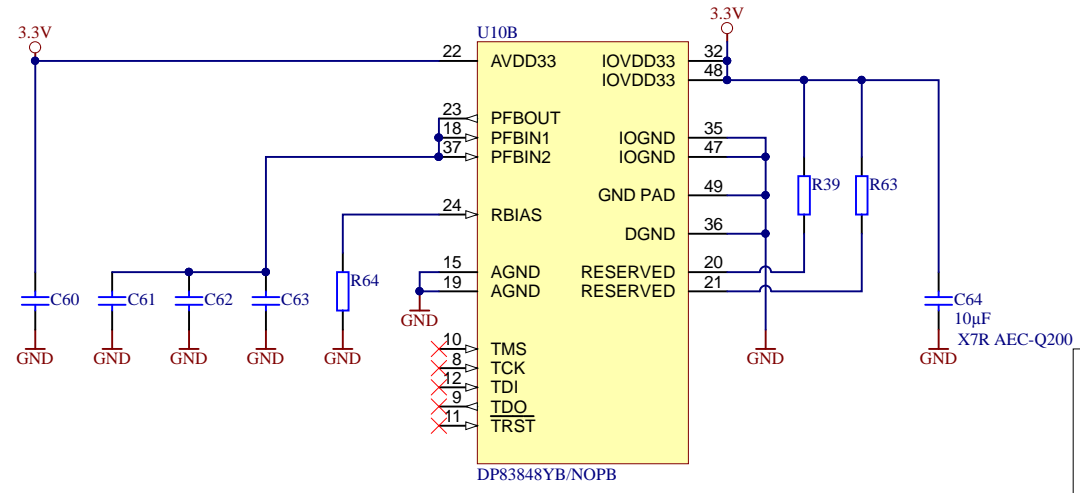
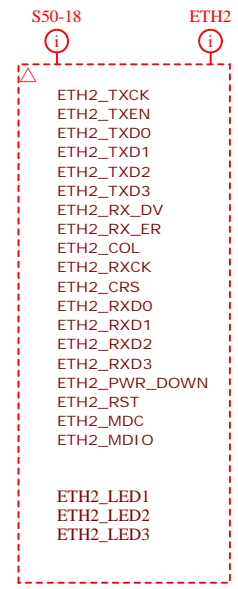
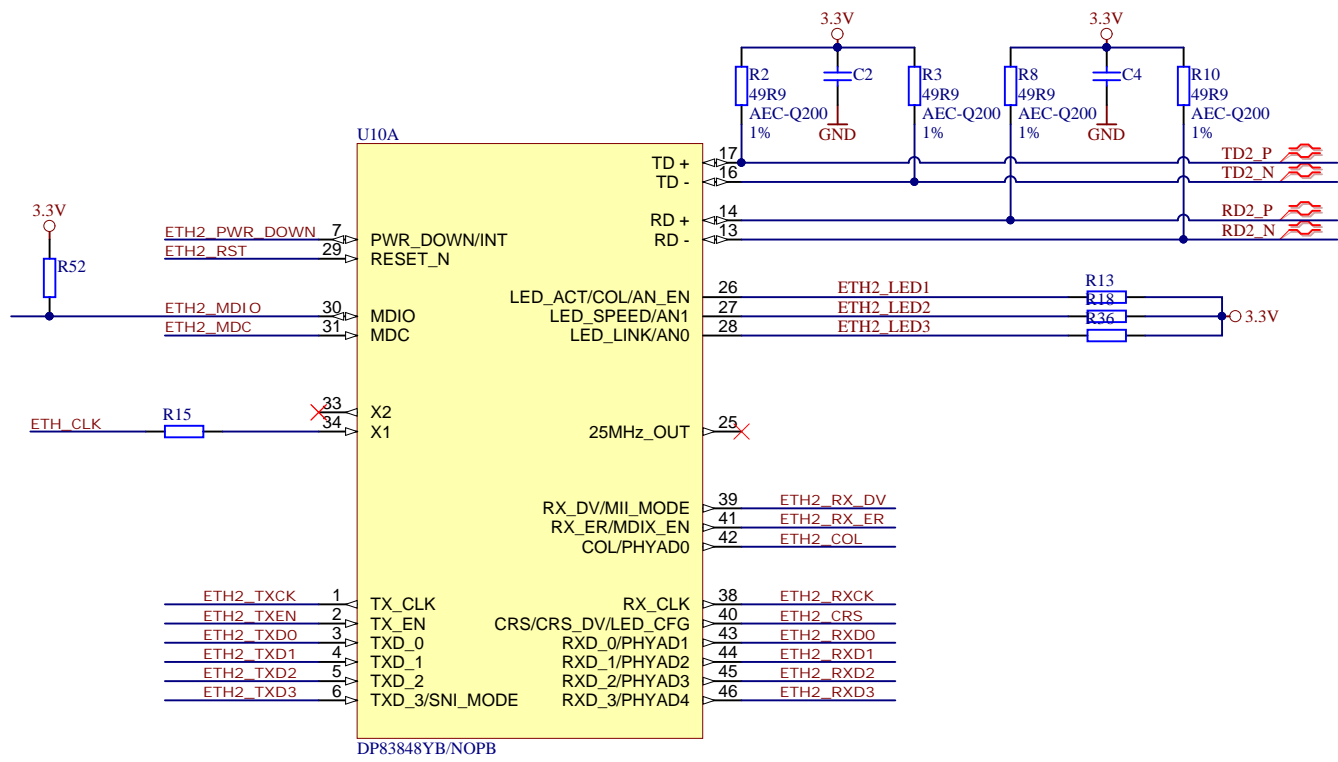
Title: TE0728 - ZYNQ Power		
A4	Number: TE0728 Default	Rev. 04
Date: 2015-08-10	Copyright: Trenz Electronic GmbH / TT	Page 11 of 16
Filename: ZYNC_POWER.SchDoc		



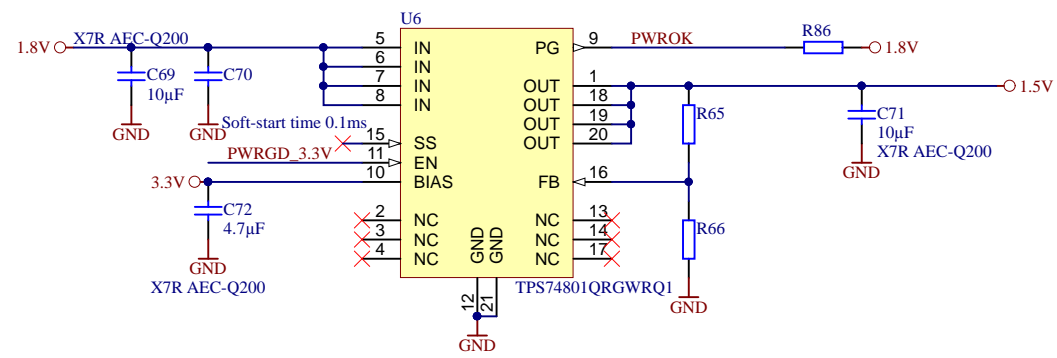
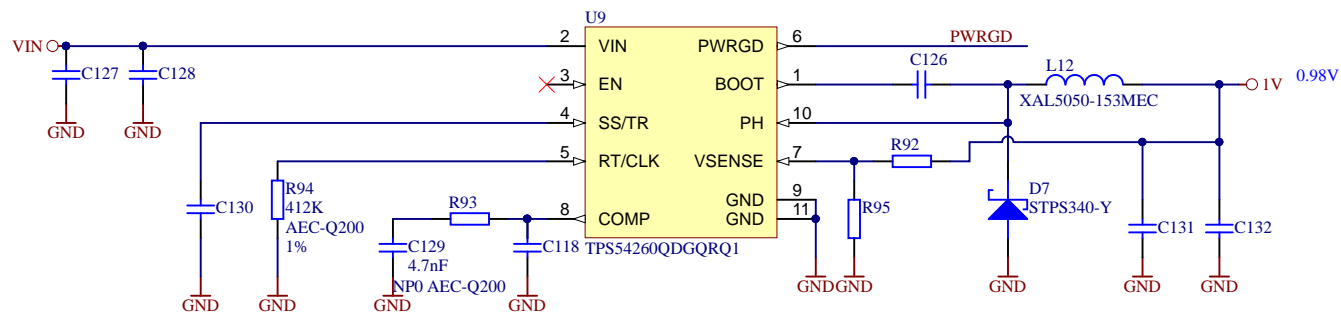
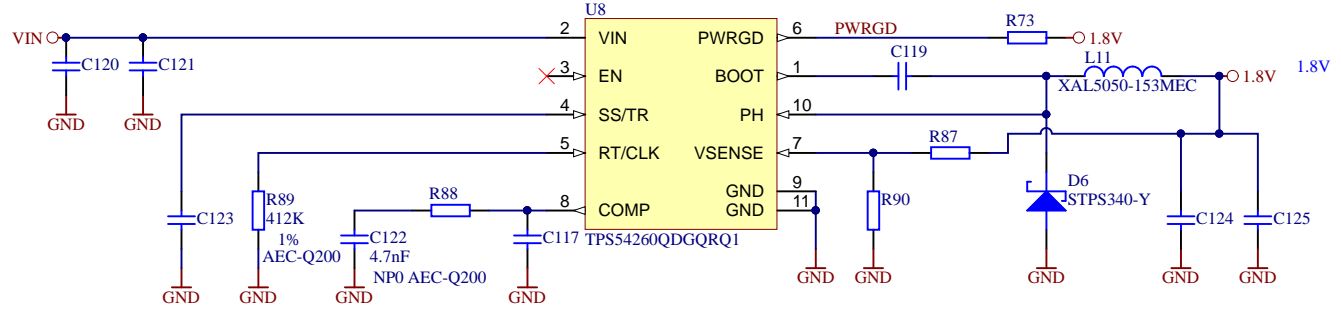
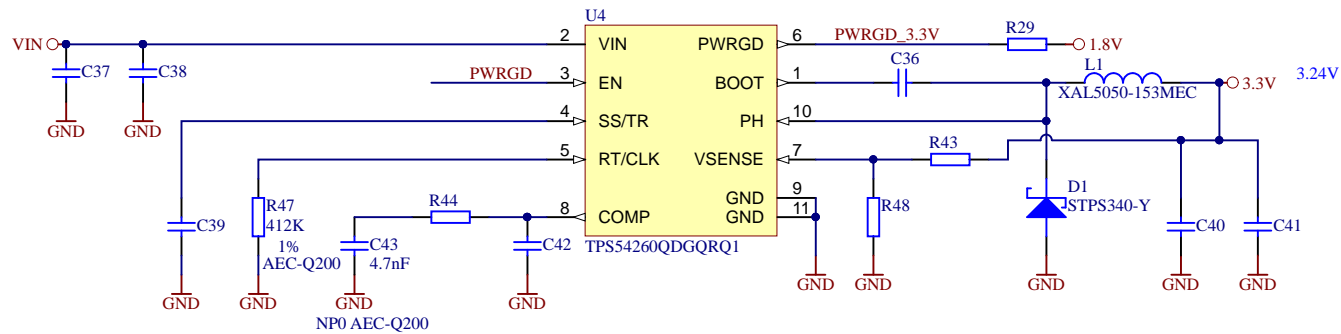
		Title: TE0728 - ZYNQ Misc	
		A4	Number: TE0728 Default
Date: 2015-08-10		Copyright: Trenz Electronic GmbH / TT	
Filename: ZYNQ_MISC.SchDoc		Page 12 of 16	



Title: TE0728 - ETH PHY		
A4	Number: TE0728 Default	Rev. 04
Date: 2015-08-10	Copyright: Trenz Electronic GmbH / TT	Page 13 of 16
Filename: ETH-PHY.SchDoc		



Title: TE0728 - ETH PHY2		
A4	Number: TE0728 Default	Rev. 04
Date: 2015-08-10	Copyright: Trenz Electronic GmbH / TT	Page 14 of 16
Filename: ETH-PHY2.SchDoc		



- GND TP1 Testpoint 0.8mm
- GND TP2 Testpoint 0.8mm
- VIN TP3 Testpoint 0.8mm
- VIN TP4 Testpoint 0.8mm
- 1.5V TP5 Testpoint 0.8mm
- 1.8V TP6 Testpoint 0.8mm
- 3.3V TP7 Testpoint 0.8mm
- 1V TP8 Testpoint 0.8mm
- PWROK TP9 Testpoint 0.8mm
- PWRGD TP10 Testpoint 0.8mm
- PWRGD_3.3V TP11 Testpoint 0.8mm

Title: TE0728 - Power		
A4	Number: TE0728 Default	Rev. 04
Date: 2015-08-10	Copyright: Trenz Electronic GmbH / TT	Page 15 of 16
Filename: Power.SchDoc		

1

2

3

4

REV04

- 1) U1 DDR3 IC changed from NT5CB256M16CP-DIH to NT5CC256M16CP-DIH
- 2) Net DDR3-ODT0: added series resistor R55
- 3) Added Traceability pad
- 4) Net PS-POR-B: added pull-down resistor R56

A

A

B


B

C

C

D

D

	Title: TE0728 - Revision history		
	A4	Number: TE0728 Default	Rev. 04
	Date: 2015-08-10	Copyright: Trenz Electronic GmbH	Page 16 of 16
	Filename: Revision_Changes.SchDoc		

1

2

3

4