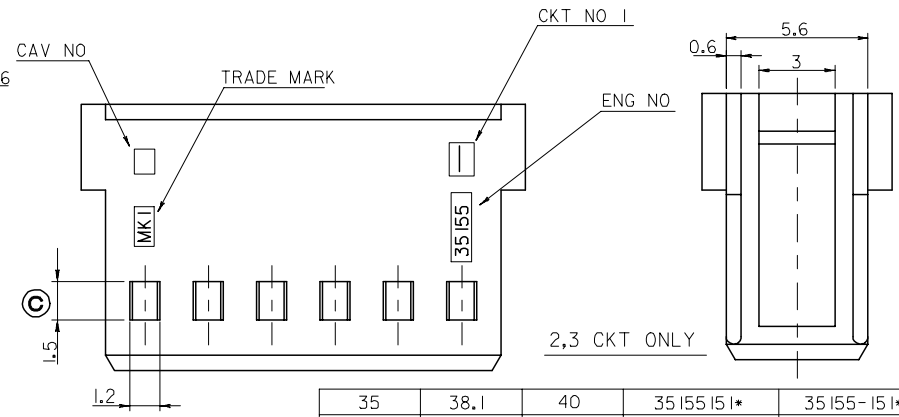
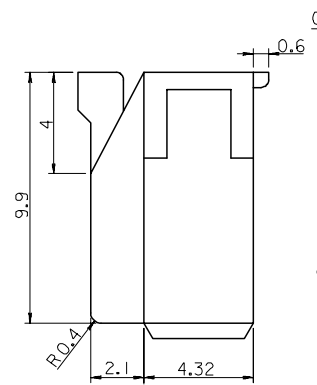
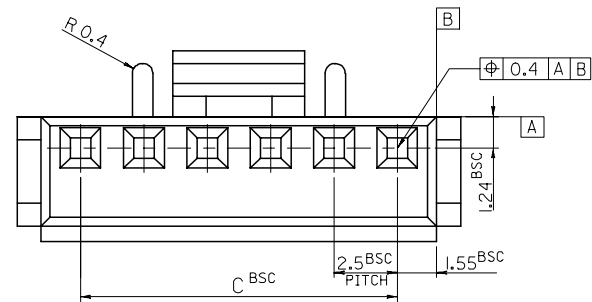
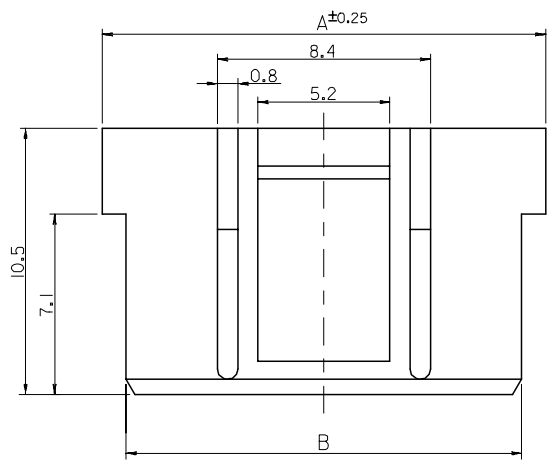
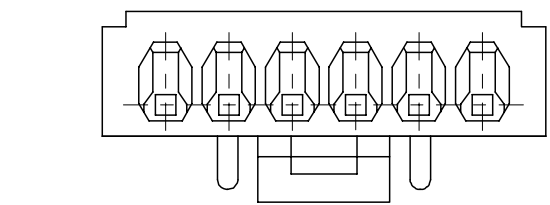


DO NOT SCALE DRAWING  
DIMENSION IN METRIC

PROJECT NO. SD-35155-001  
SIMILAR ITEM 35155-\*\*\*0\*

DWG. NO. SD-35155-001

8 7 6 5 4 3 2 1



LEGEND  
 35155 - \*\* I \*  
 COLOR : 0 --- NATURAL  
 1 --- BLACK  
 2 --- RED  
 3 --- YELLOW  
 4 --- BLUE  
 CKT (02,03,04 ...)

35	38.1	40	35155151*	35155-151*	15
32.5	35.6	37.5	141*	-141*	14
30	33.1	35	131*	-131*	13
27.5	30.6	32.5	121*	-121*	12
25	28.1	30	111*	-111*	11
22.5	25.6	27.5	101*	-101*	10
20	23.1	25	091*	-091*	9
17.5	20.6	22.5	081*	-081*	8
15	18.1	20	071*	-071*	7
12.5	15.6	17.5	061*	-061*	6
10	13.1	15	051*	-051*	5
7.5	10.6	12.5	041*	-041*	4
5	8.1	10	031*	-031*	3
2.5	5.6	7.5	35155021*	35155-021*	2
C	B	A	MATERIAL NO.	ENG NO.	CKT.

NOTE  
 1. MATERIAL ; PBT UL 94V-0  
 2. USED WITH TERMINAL : 5103-PBT9  
 3. MATED WITH WAFER ASS'Y : 35312-\*\*\*\*

<b>Revised</b> ECN NO. KOR2006-0105 DRWN: J.H.Lee 0/03/22 CHK: Y.SooKim 05/12/12 APPR: S.H.Chol	QUALITY SYMBOLS MAJOR CRITICAL	GENERAL TOLERANCES: (UNLESS SPECIFIED)	SCALE 5-1 DESIGN UNITS <input checked="" type="checkbox"/> mm <input type="checkbox"/> INCH	THIRD ANGLE PROJECTION <input checked="" type="checkbox"/> THIRD ANGLE <input type="checkbox"/> FIRST ANGLE	DIMENSIONS: <input type="checkbox"/> mm <input type="checkbox"/> INCH <input checked="" type="checkbox"/> mm ONLY	SHT REV
	DESCRIPTION <b>D</b>	4 PLACES ±0.1 3 PLACES ±0.1 2 PLACES ±0.1 1 PLACE ±0.1	ANGULAR: ± 1°	DRAWN BY & DATE <b>K.S.Kim 04/08/10</b> CHECKED BY & DATE <b>Y.Soo.Kim 04/08/26</b> APPROVED BY & DATE <b>C.W.Lee 04/08/26</b>	TITLE: 2.5 PITCH W/B CONN. HOUSING (WITH LOCK)	REVISE ON CAD ONLY
	DRAFT WHERE APPLICABLE MUST REMAIN WITHIN DIMENSIONS	THIS DRAWING CONTAINS INFORMATION THAT IS PROPRIETARY TO MOLEX INCORPORATED AND SHOULD NOT BE USED WITHOUT WRITTEN PERMISSION.	CAD FILENAME SD-35155-001	MATERIAL NO. SEE TABLE	DRAWING NO. SD-35155-001	SHEET NO. 1/1

8 7 6 5 4 3 2 1 KOREA MX-A3