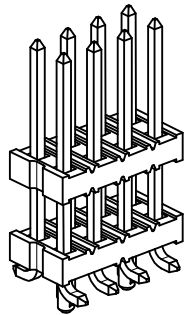
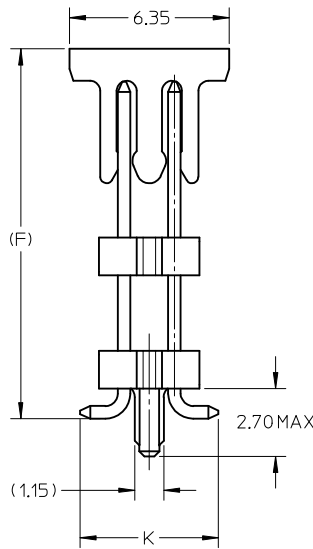
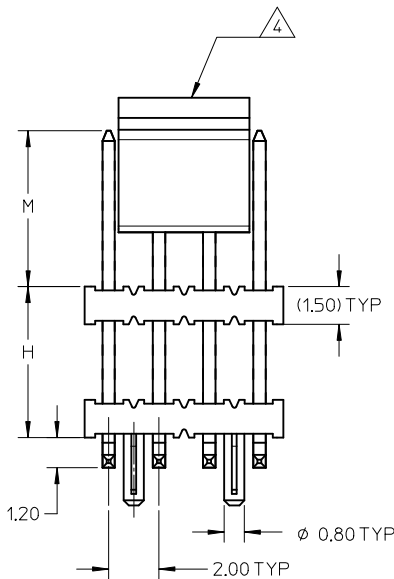


RECOMMENDED P.C.B. LAYOUT



PART NUMBERS	CKT SIZE	VOID POSITION	DIMENSION						PLATING OPTION	PACKAGING TYPE
			A	B	M	H	F	K		
87762-0873	8	----	7.90	6.00	7.62	8.45	--	5.50 ±0.15	3	WITHOUT CAP IN TUBE
87762-0874	8	----	7.90	6.00	7.62	8.45	18.58	5.50 ±0.15	3	WITH CAP IN TUBE
87762-0029	10	----	9.90	8.00	4.50	17.80	--	(5.50)	2	WITHOUT CAP IN TUBE
87762-1000	10	----	9.90	8.00	4.50	17.80	24.81	(5.50)	2	WITH CAP IN TUBE
87762-2600	26	----	25.90	24.00	7.90	11.50	--	(5.50)	1	WITHOUT CAP IN TUBE
87762-2601	26	----	25.90	24.00	7.90	11.50	21.91	(5.50)	1	WITH CAP IN TUBE

NOTES:

- MATERIAL: HOUSING: NYLON (4/6), UL94V-0, COLOR: BLACK  
PIN: COPPER ALLOY, SQ, 0.50MM
- PLATING FINISH:
  - 15-25µ INCHES MIN GOLD PLATE IN SELECTED AREA AND 120-200µ INCHES MIN TIN ON SOLDER TAIL OVER 50-70µ INCHES MIN NICKEL UNDERPLATE OVERALL.
  - 120µ INCHES MIN TIN OVERALL  
50µ INCHES MIN NICKEL UNDERPLATE OVERALL.
  - 15µ INCHES MIN GOLD PLATE IN SELECTED AREA AND 75µ INCHES MIN TIN ON SOLDER TAIL OVER 50µ INCHES MIN NICKEL UNDERPLATE OVERALL.
- PIN PUSHOUT FORCE: 1KG MIN IN EITHER DIRECTION.
- △.CAP TO BE LOCATED AS CENTRAL OF PART AS POSSIBLE
- THE ABOVE 8CKTS SHOWN IS FOR ILLUSTRATION ONLY.
- FOR PACKING OPTION PLEASE REFER TO THE TABLE.
- HEADER MAY BE BROKEN TO DESIRE CKT SIZE.  
SLIGHTLY FLASHES SHOULD BE ACCEPTED.
- PACKAGING SPECIFICATION: PK-89990-474

EWR# 1002 EC NO: S2007-0080 DRWN:SKL IM01 2006/12/21 CHKD:GWLAM 2006/12/22 APPR:KMLEE 2006/12/26	QUALITY SYMBOLS	GENERAL TOLERANCES (UNLESS SPECIFIED)		DIMENSION STYLE		SCALE	DESIGN UNITS	THIRD ANGLE PROJECTION	
	▼ = 0 ▽ = 0	mm	INCH	MM ONLY		NTS	METRIC		
		4 PLACES ± --- ± ---	3 PLACES ± --- ± ---	DRAWN BY	DATE	TITLE			
		2 PLACES ± 0.2 ± ---	1 PLACE ± --- ± ---	CHECKED BY	DATE	CUSTOM HEADER 2.00MM PITCH, WITH PEG DUAL ROW DUAL WAFER, SMT			
	ANGULAR ± 3 °		APPROVED BY	DATE	MOLEX INCORPORATED				
	DRAFT WHERE APPLICABLE MUST REMAIN WITHIN DIMENSIONS		MATERIAL NO.	2004/12/28	DOCUMENT NO. SD-87762-135				
			SIZE	THIS DRAWING CONTAINS INFORMATION THAT IS PROPRIETARY TO MOLEX INCORPORATED AND SHOULD NOT BE USED WITHOUT WRITTEN PERMISSION				SHEET NO. 1 OF 1	