

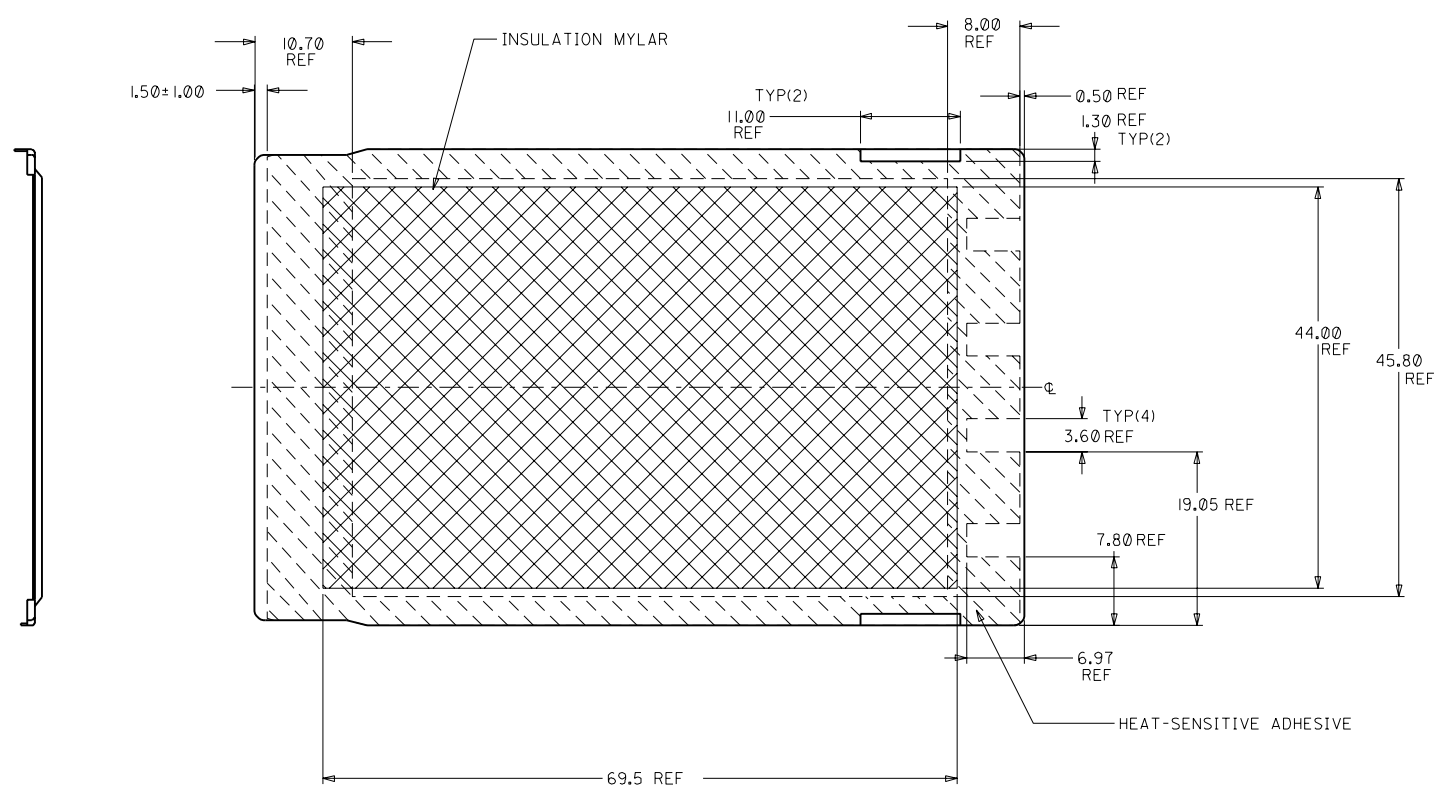
8 7 6 5 4 3 2 1

ENG. NO SDE-89436-00**

EDP NO.

SIMILAR ITEM

CAD FILE : _S8943603



P/N : 89436-00*1
 (ADHESIVE TAPE CUT OUT FOR ISP SHIELDED I/O)

DO NOT SCALE DRAWING

						MATERIAL :		MOLEX TAIWAN LTD. SHEET 3 OF 3
						FINISH :		
						WIRE RANGE :		GENERAL TOLERANCES ANGLE : ± 3° DIM : ± .25 / .010
						INS. RANGE :		ENG. NO. : SDE-89436-00**
A	NEW OPTION	T98-238	THOMAS	980113			REV A	
LTR	REVISION RECORD	ECN	DR	DATE	DRAWN BY 980113 THOMAS CHANG		CHK'D BY	
REVISE ONLY ON CAD SYSTEM					APPR'D BY		SCALE 2:1	TITLE : COVER, TYPE II MEMORY CARD

ENG. NO SDE-89436-00**

EDP NO.

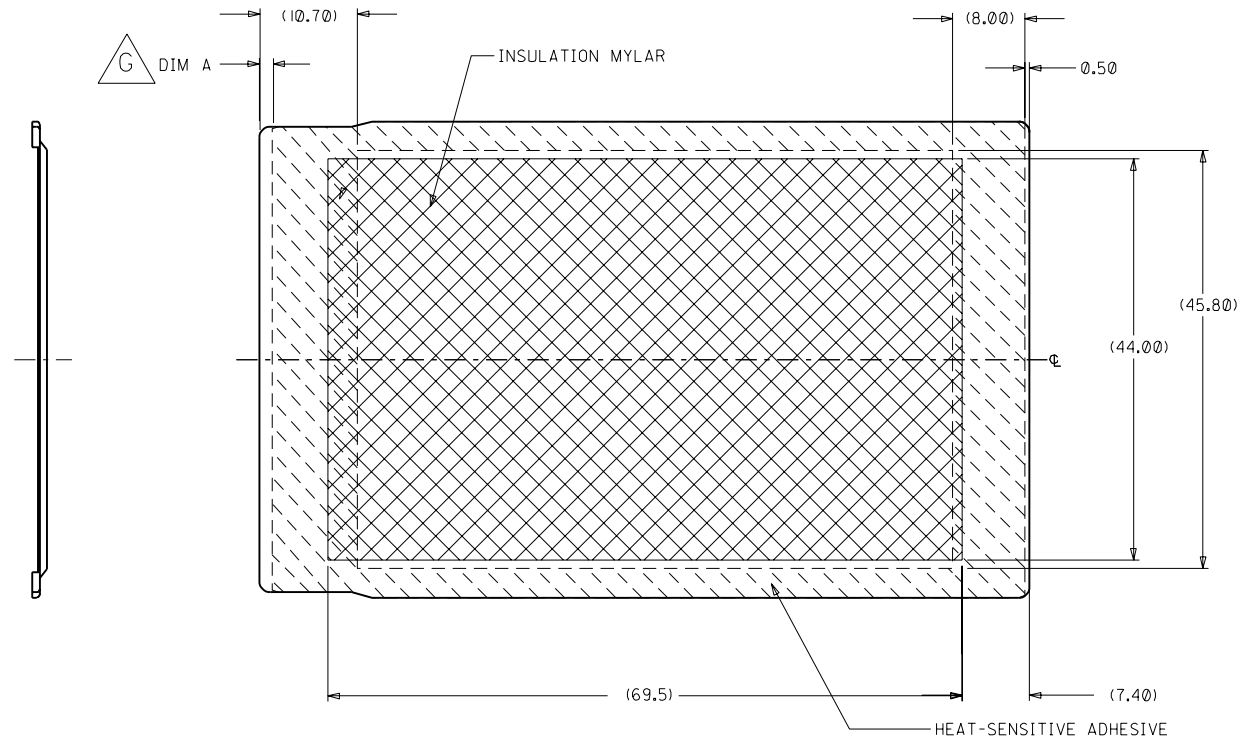
SIMILAR ITEM

CAD FILE : S8943602

DO NOT SCALE DRAWING

8 7 6 5 4 3 2 1

F
E
D
C
B
A



△ P/N : 89436-00*0 (DIM A= 1.50±1.0)
89436-00*2 (DIM A= 2.50±1.0)

				MATERIAL :		MOLEX TAIWAN LTD.	
G	NEW OPTION	T99-101	THOMAS	991019	FINISH :		SHEET 2 OF 3
F	NEW OPTION	T98-238	THOMAS	980113	WIRE RANGE :		GENERAL TOLERANCES
E	RELEASE TO MANUFACTURING	T97391	JULIA	970508	INS. RANGE :		ANGLE : ± 3° DIM : ± .25/.010
D	PER ECN T97-270		JULIA	970224	DRAWN BY 960227		ENG. NO. SDE-89436-00**
C	PER ECN T97-142		JULIA	961029	CHK'D BY		REV G
B	PER ECN T97-024		JULIA	960820	APPR'D BY		TITLE : COVER, TYPE II MEMORY CARD
A1	PER ECN T96-375		JULIA	960514	SCALE 2:1		
LTR	REVISION RECORD	ECN	DR	DATE			
REVISE ONLY ON CAD SYSTEM							