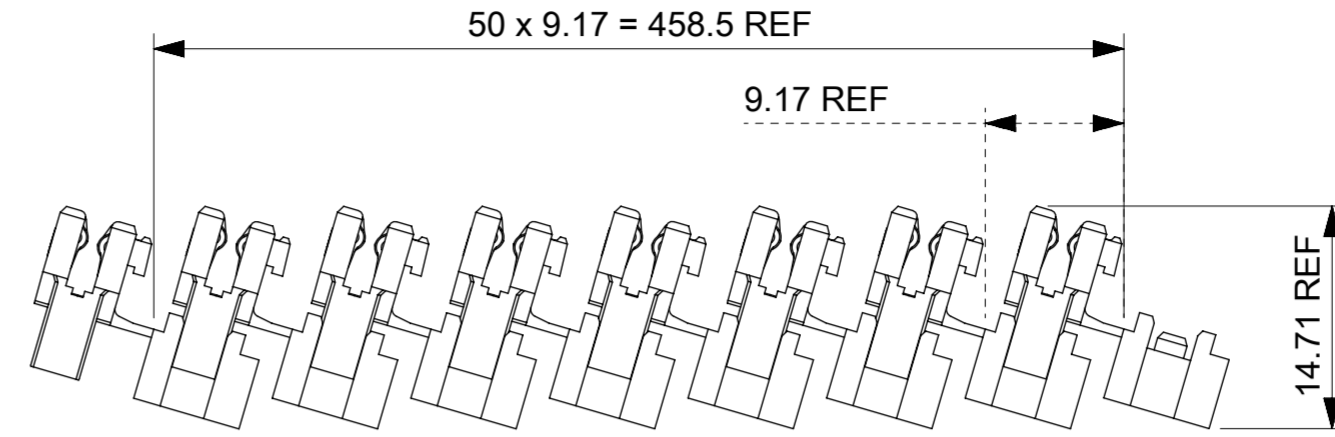
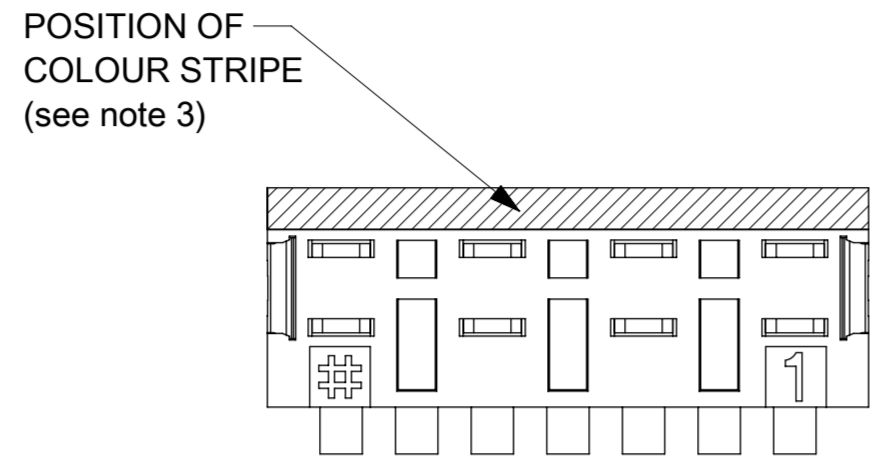
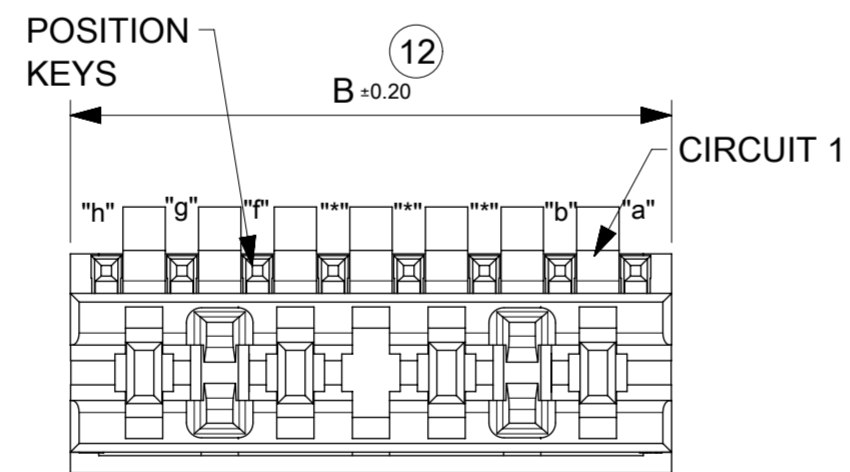
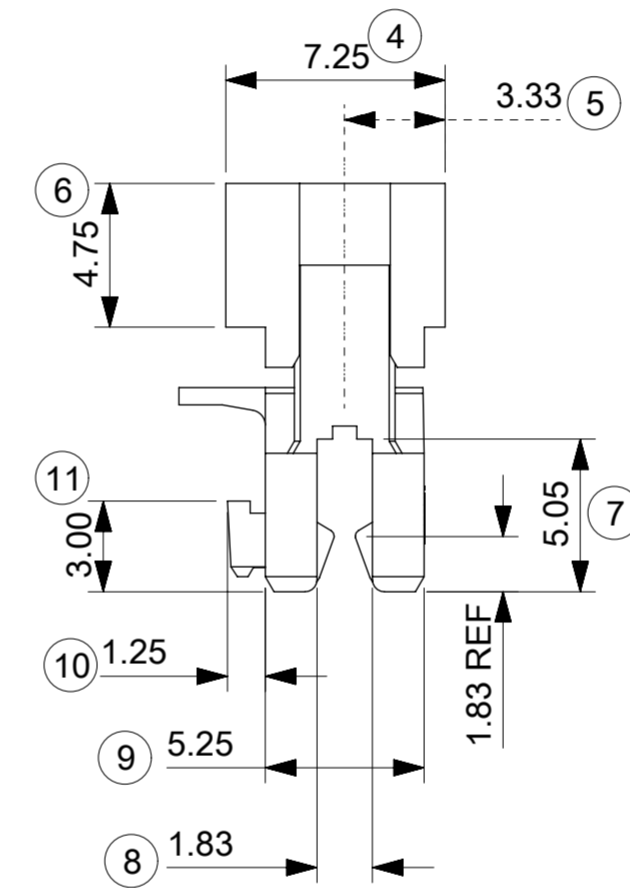
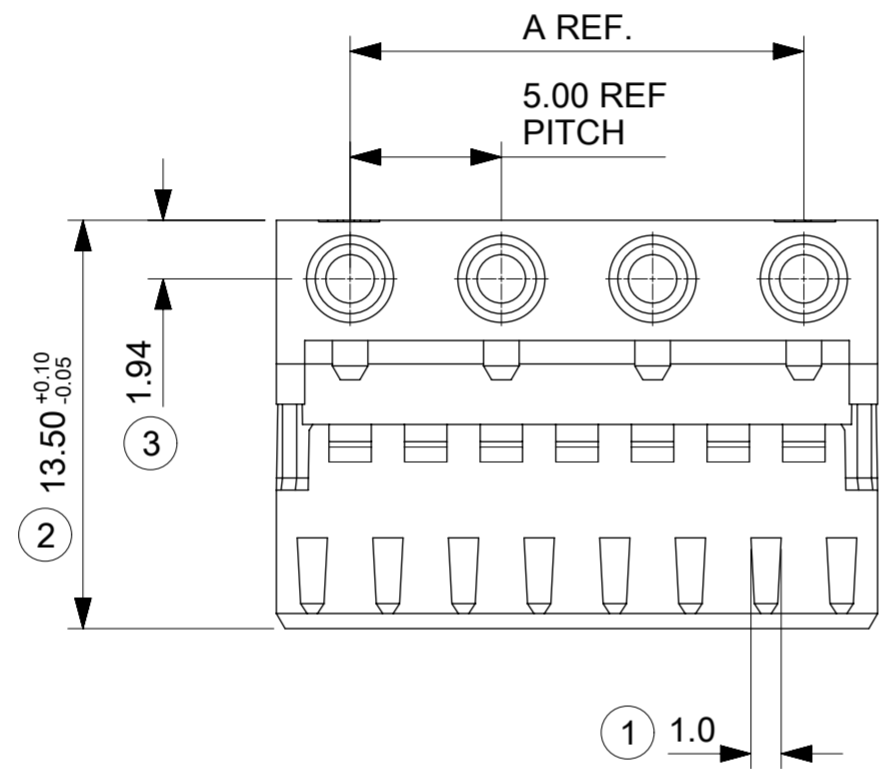


CCT	A	B
2	5.0	9.9
3	10.0	14.9
4	15.0	19.9
5	20.0	24.9
6	25.0	29.9
7	30.0	34.9
8	35.0	39.9
9	40.0	44.9
10	45.0	49.9



SHIPPING ARRANGEMENT



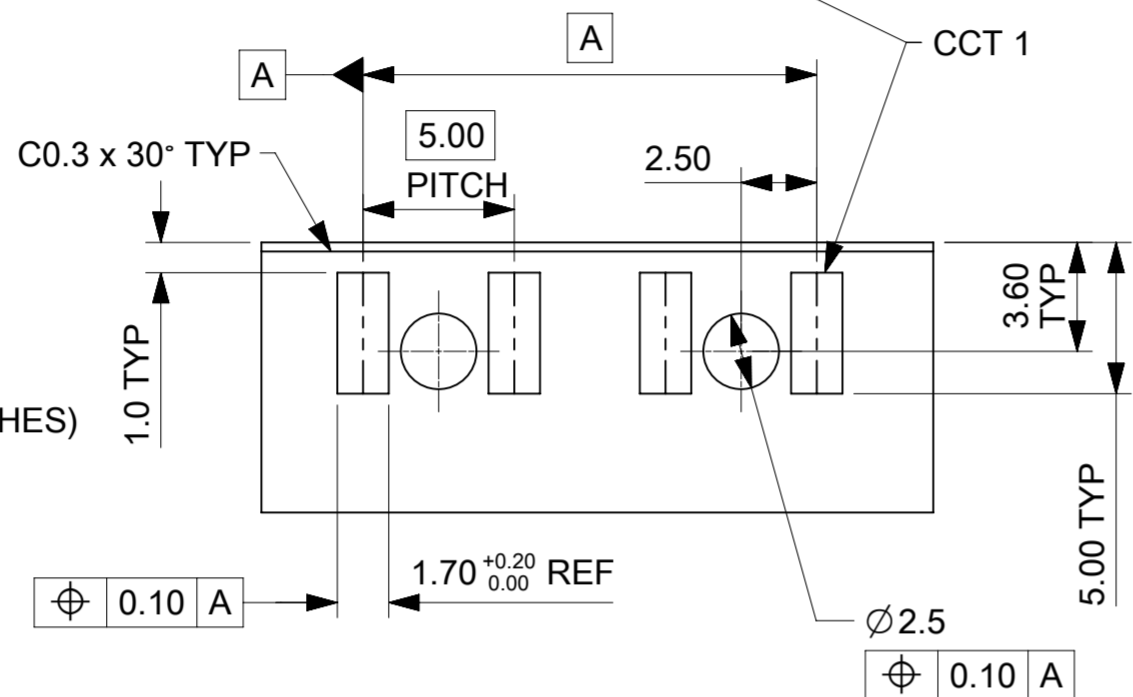
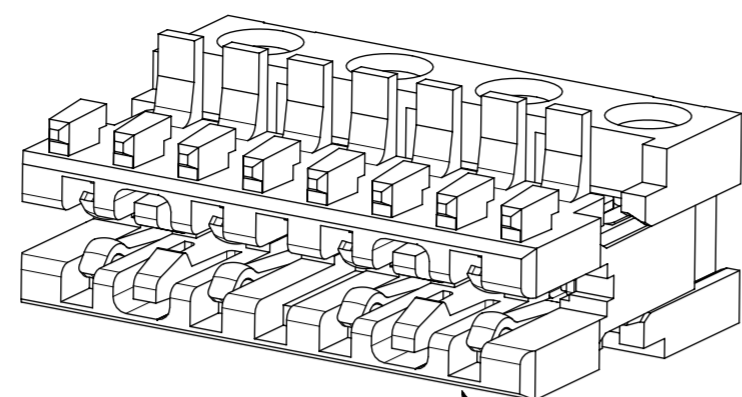
- NOTES:
- REFER TO PRODUCT SPECIFICATION: PS-93270-001.
 - MATERIAL: HOUSING - PA6 GF
UL94-V2, COLOUR: NATURAL.
TERMINAL: COPPER ALLOY 0.30 REF. THICK - PLATING
HOT TIN DIP.
 - COLOUR STRIPE IS OPTIONAL. AVAILABLE IN THE FOLLOWING
COLOURS: YELLOW, RED, GREEN, BLUE, BLACK & ORANGE.
 - REFER TO PACKAGING SPEC (PK-93270-001)
 - REFER TO APPLICATION SPEC (AS-93270-001)
LAST INSPECTION NUMBER : 12

THIS DRAWING CONTAINS INFORMATION THAT IS PROPRIETARY TO MOLEX ELECTRONIC TECHNOLOGIES, LLC AND SHOULD NOT BE USED WITHOUT WRITTEN PERMISSION

EC NO: 734768 DRWN: RAHULH3 CHKD: MRAMAKRISHNA APPR: MRAMAKRISHNA	2023/01/12	2023/01/16	2023/01/16	GENERAL TOLERANCES (UNLESS SPECIFIED)	DIMENSION UNITS	SCALE			
				ANGULAR TOL ± 0.5 °	mm				
	4 PLACES	±		DRWN BY	DATE	CFISHER01		2016/08/23	
	3 PLACES	±	0.05	CHK'D BY	DATE	TCLEARY		2017/01/23	
			2 PLACES	±	0.1	APPR BY	DATE	BRUTTLE	2017/01/30
			1 PLACE	±	0.2	DRAFT WHERE APPLICABLE MUST REMAIN WITHIN DIMENSIONS			
			0 PLACES	±		DRAWING SIZE	THIRD ANGLE PROJECTION	A2	
PRODUCT CUSTOMER DRAWING		SERIES	MATERIAL NUMBER	CUSTOMER					
		93270	SEE CHARTS	GENERAL MARKET					
DOCUMENT NUMBER		DOC TYPE		DOC PART	SHEET NUMBER				
932700001		PSD		000	1 OF 10				

SINGLE ROW CODING KEYS OPEN
END WALLS WITH LATCHES

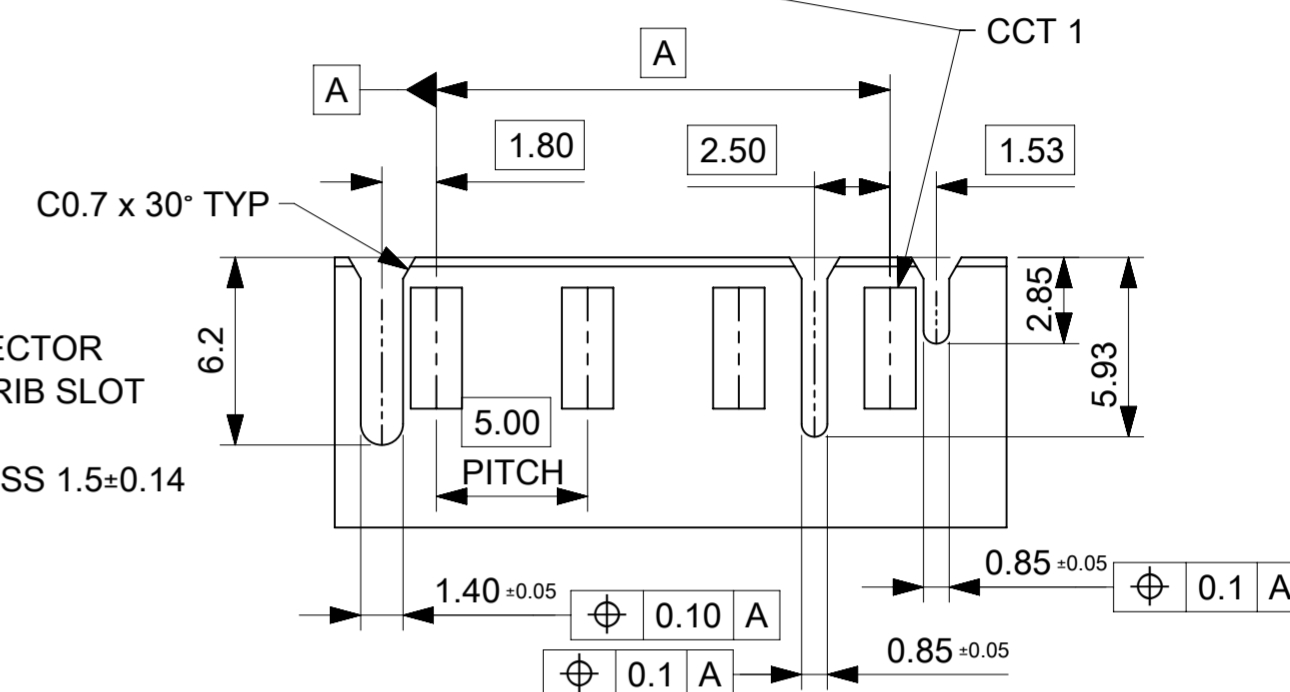
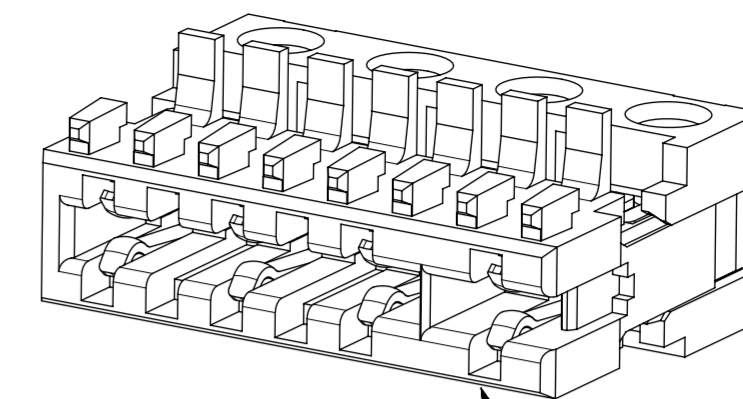
END WALLS OPEN	
FIRST END WALL	LAST END WALL
OPEN	OPEN



- PCB LAYOUT FOR 4CCT CONNECTOR
(WITH NO OPTIONAL POSITIONAL RIB SLOT)
(WITH HOLES FOR OPTIONAL INTERNAL LATCHES)
- RECOMMENDED PCB THICKNESS 1.5±0.14

SINGLE ROW CODING KEYS OPTION A
END WALLS WITH POLARIZING RIBS

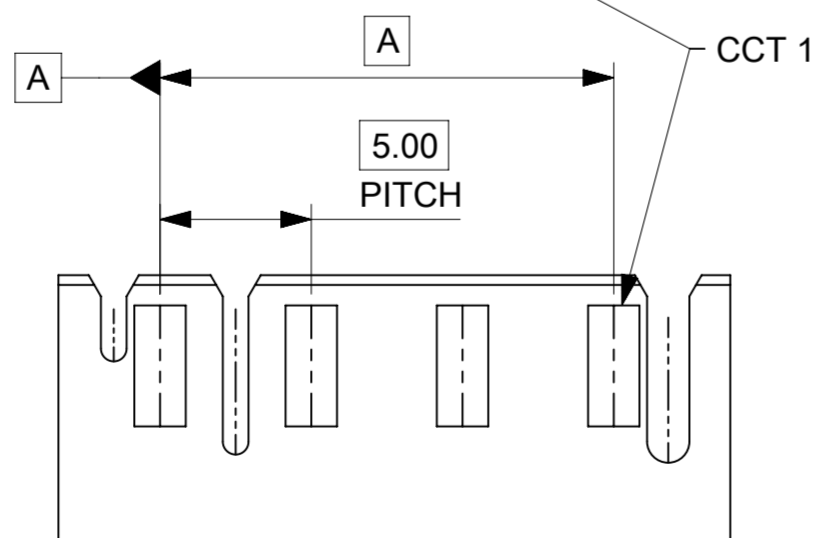
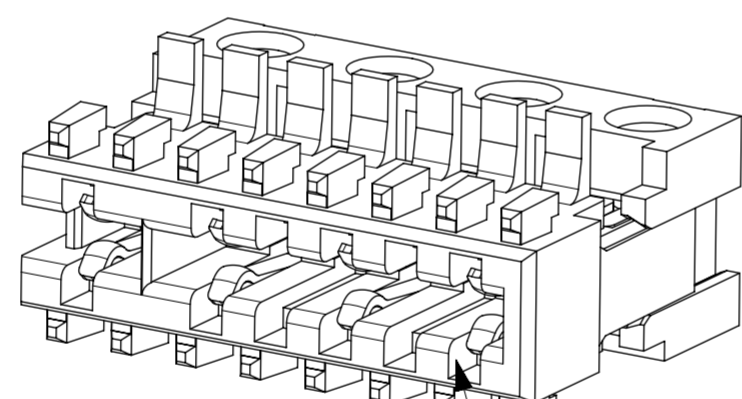
OPTION A END WALLS	
FIRST END WALL	LAST END WALL
SHORT	CLOSED



- PCB LAYOUT FOR 4CCT CONNECTOR
(WITH OPTIONAL POSITIONAL RIB SLOT
BETWEEN CCTS 1&2)
- RECOMMENDED PCB THICKNESS 1.5±0.14

2 ROW CODING KEYS OPTION B
END WALLS WITH POLARIZING RIBS

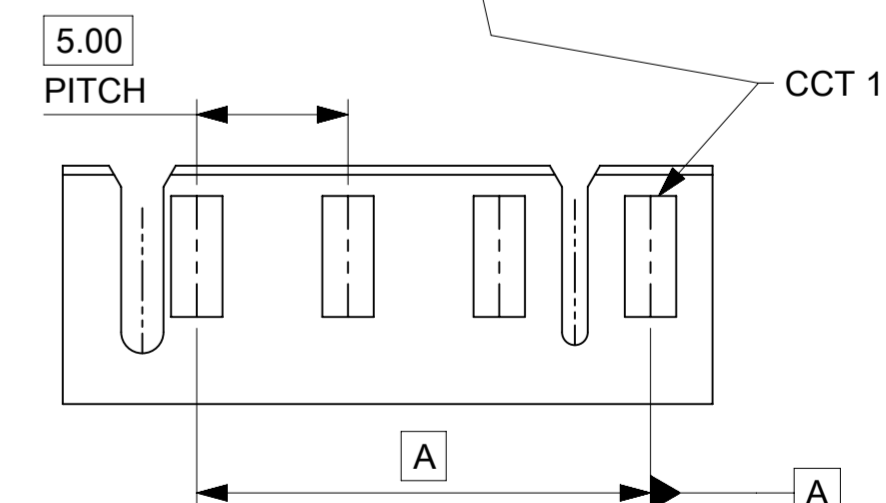
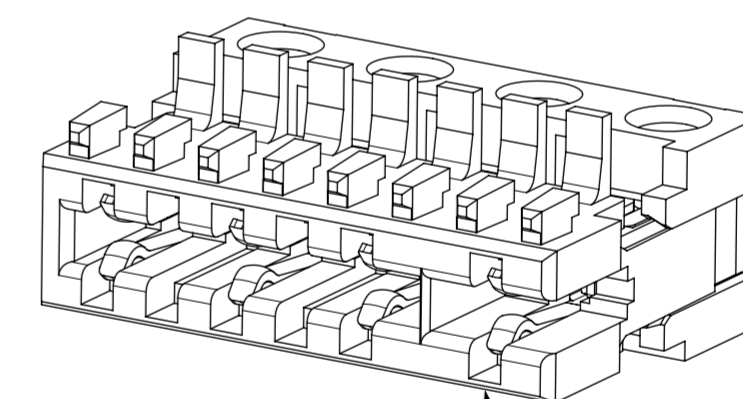
OPTION B END WALLS	
FIRST END WALL	LAST END WALL
CLOSED	SHORT



- PCB LAYOUT FOR 4CCT CONNECTOR
(WITH OPTIONAL POSITIONAL RIB SLOT
BETWEEN CCTS 3&4)
- RECOMMENDED PCB THICKNESS 1.5±0.14

1 ROW CODING KEYS OPTION C
END WALLS WITH POLARIZING RIBS

OPTION C END WALLS	
FIRST END WALL	LAST END WALL
OPEN	CLOSED



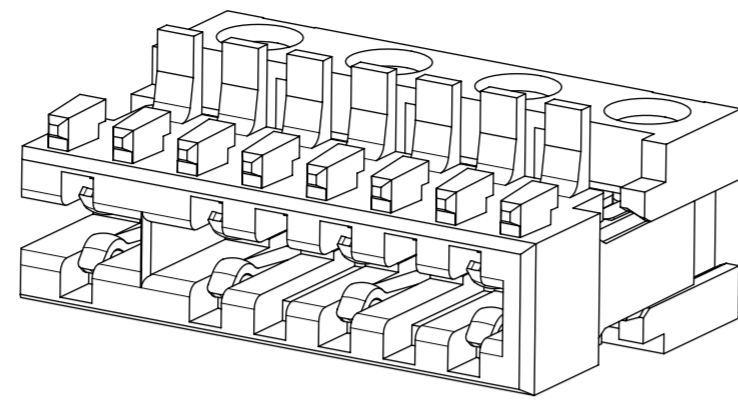
- PCB LAYOUT FOR 4CCT CONNECTOR
(WITH OPTIONAL POSITIONAL RIB SLOT
BETWEEN CCTS 1&2)
- RECOMMENDED PCB THICKNESS 1.5±0.14

- NOTES:
1. ALL UNSPECIFIED DIMENSIONS SEE SHEET 1
 2. PCB FEATURES WHEN USED ARE IDENTICAL IN SIZE AND POSITION ACROSS PCB OPTIONS
 3. OPTIONS SHOWN ARE FOR REFERENCE ONLY, FOR PART CONFIGURATIONS SEE SHEETS 4-8
 4. FOR PARTS NOT LISTED ON THIS DRAWING PLEASE CONTACT YOUR MOLEX SALES ENGINEER

THIS DRAWING CONTAINS INFORMATION THAT IS PROPRIETARY TO MOLEX ELECTRONIC TECHNOLOGIES, LLC AND SHOULD NOT BE USED WITHOUT WRITTEN PERMISSION

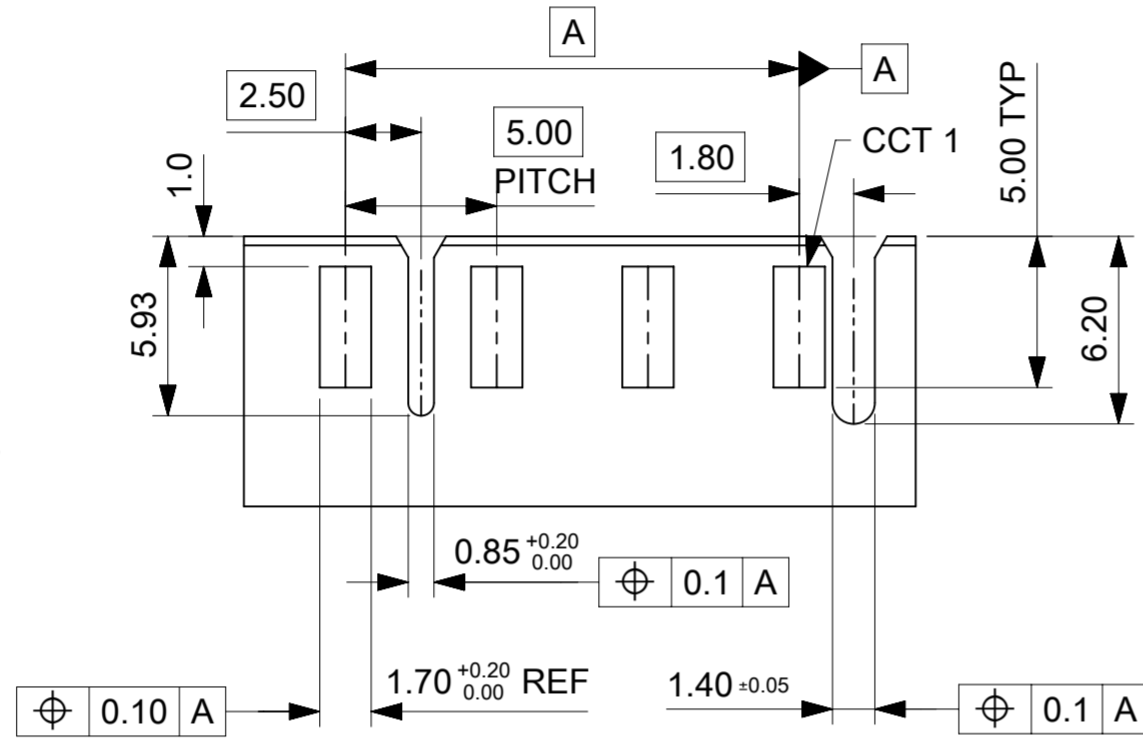
EC NO: 734768 2023/01/12 DRWN: RAHULH3 2023/01/16 CHKD: MIRAMAKRISHNA 2023/01/16 APPR: MIRAMAKRISHNA	GENERAL TOLERANCES (UNLESS SPECIFIED)	DIMENSION UNITS	SCALE		
	ANGULAR TOL ± 0.5 °	mm			
	4 PLACES ±	DRWN BY	DATE		
	3 PLACES ± 0.05	CFISHER01	2016/08/23		
2 PLACES ± 0.1	CHK'D BY	DATE	<p>R POWER 6 AMP 5MM TERMINAL PITCH (MATL: NYLON PA6)</p>		
1 PLACE ± 0.2	TCLEARY	2017/01/23			
0 PLACES ±	APPR BY	DATE			
	BRUTTLE	2017/01/30			
DRAFT WHERE APPLICABLE MUST REMAIN WITHIN DIMENSIONS	DRAWING SIZE	THIRD ANGLE PROJECTION	PRODUCT CUSTOMER DRAWING		
	A2		SERIES	MATERIAL NUMBER	CUSTOMER
			93270	SEE CHARTS	GENERAL MARKET
			DOCUMENT NUMBER	DOC TYPE	DOC PART SHEET NUMBER
			932700001	PSD	000 2 OF 10

1 ROW CODING KEYS OPTION D
END WALLS WITH POLARIZING RIBS

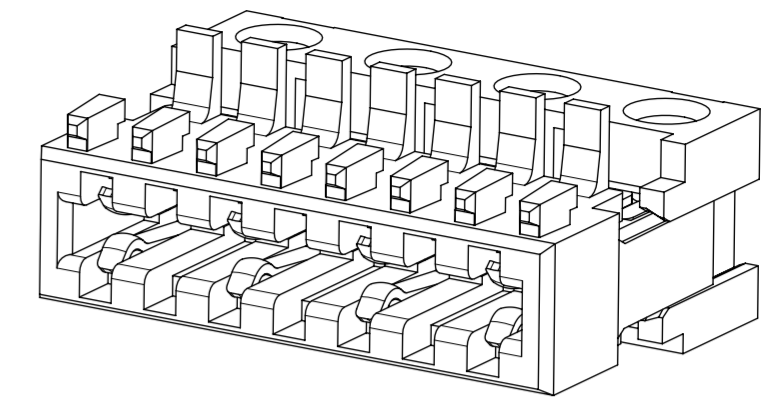


OPTION D END WALLS	
FIRST END WALL	LAST END WALL
CLOSED	OPEN

- PCB LAYOUT FOR 4CCT CONNECTOR
(WITH OPTIONAL POSITIONAL RIB SLOT
BETWEEN CCTS 3&4)
- RECOMMENDED PCB THICKNESS 1.5±0.14

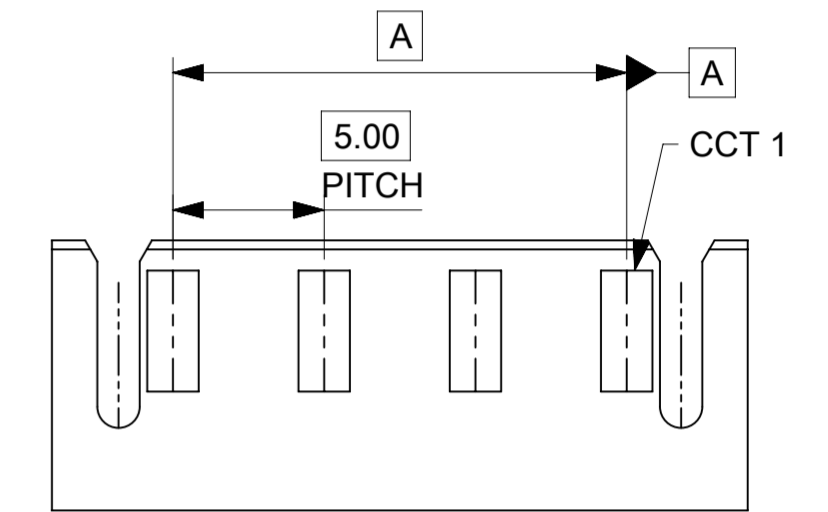


1 ROW CODING KEYS
OPTION E END WALLS

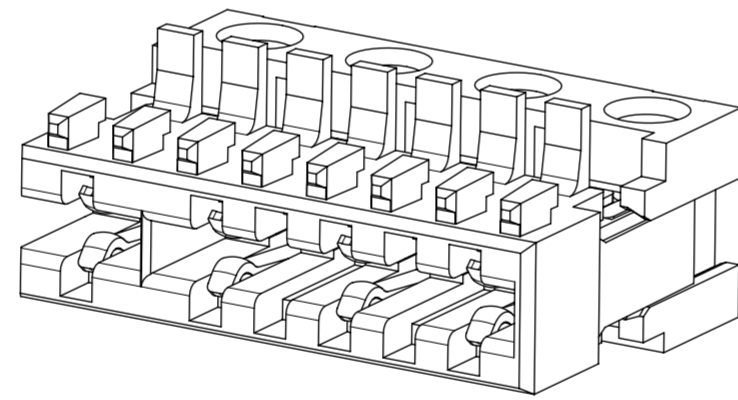


OPTION E END WALLS	
FIRST END WALL	LAST END WALL
CLOSED	CLOSED

- PCB LAYOUT FOR 4CCT CONNECTOR
(WITH NO OPTIONAL POSITIONAL RIB SLOTS)
- RECOMMENDED PCB THICKNESS 1.5±0.14

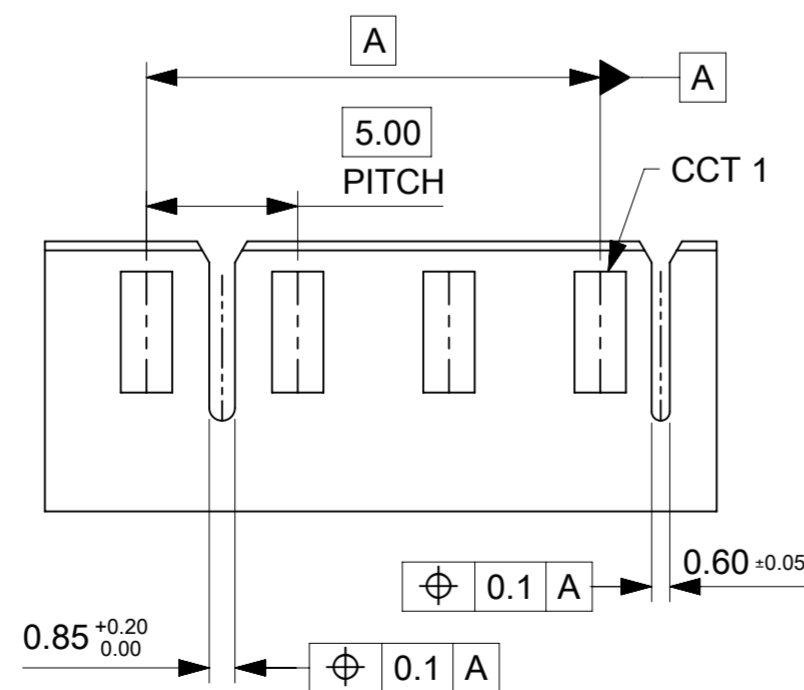


1 ROW CODING KEYS OPTION F
END WALLS WITH POLARIZING RIBS

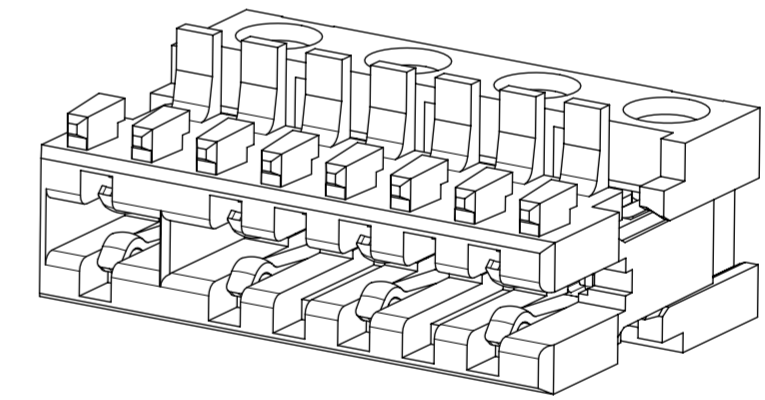


OPTION F END WALLS	
FIRST END WALL	LAST END WALL
NARROW FLUSH	OPEN

OPTION F: FIRST END NARROW FLUSH
LAST END WALL OPEN
SHOWN WITH SINGLE ROW CODING KEYS
RIB SHOWN BETWEEN CCTS 3&4

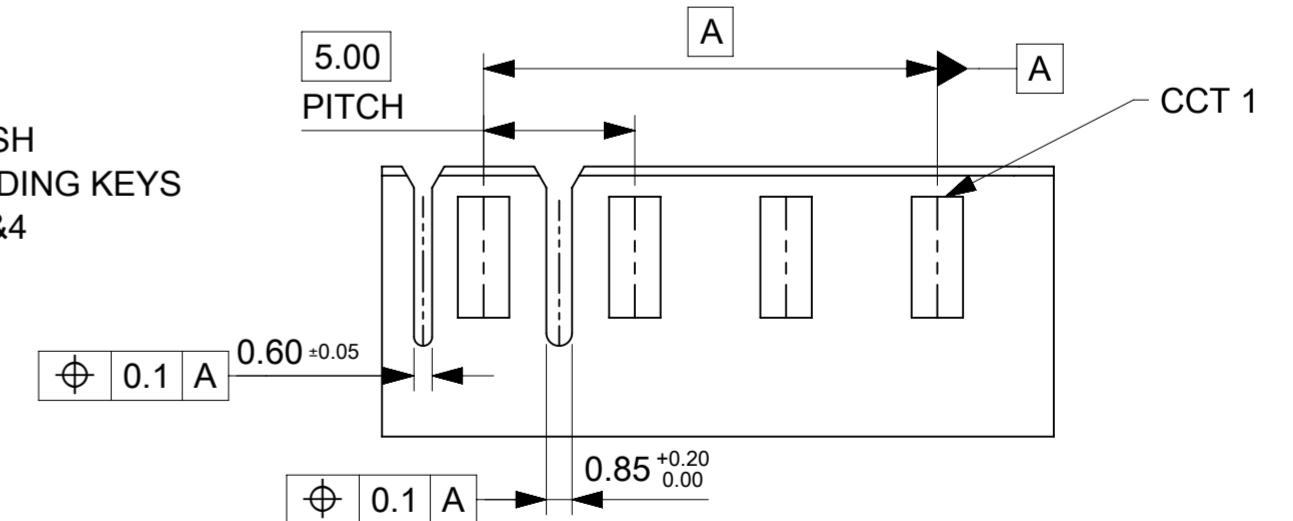


1 ROW CODING KEYS OPTION G
END WALLS WITH POLARIZING RIBS



OPTION G END WALLS	
FIRST END WALL	LAST END WALL
OPEN	NARROW FLUSH

OPTION G: FIRST END OPEN
LAST END WALL NARROW FLUSH
SHOWN WITH SINGLE ROW CODING KEYS
RIB SHOWN BETWEEN CCTS 3&4



- NOTES:
1. ALL UNSPECIFIED DIMENSIONS SEE SHEET 1
 2. PCB FEATURES WHEN USED ARE IDENTICAL IN SIZE AND POSITION ACROSS PCB OPTIONS
 3. OPTIONS SHOWN ARE FOR REFERENCE ONLY, FOR PART CONFIGURATIONS SEE SHEETS 4-8
 4. FOR PARTS NOT LISTED ON THIS DRAWING PLEASE CONTACT YOUR MOLEX SALES ENGINEER

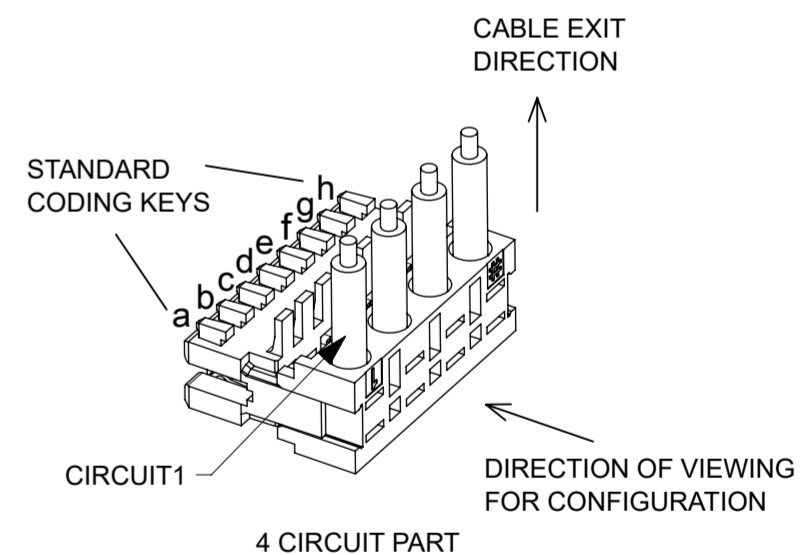
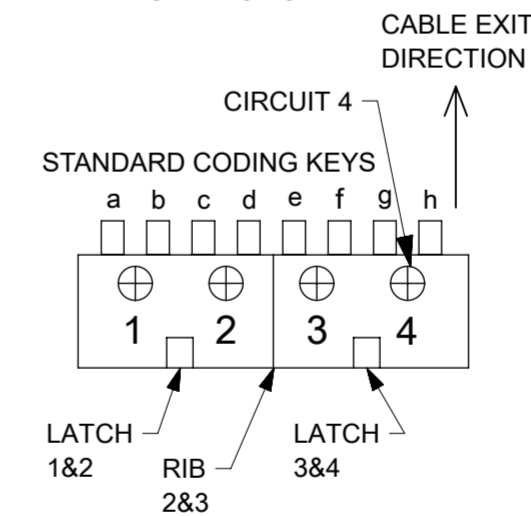
THIS DRAWING CONTAINS INFORMATION THAT IS PROPRIETARY TO MOLEX ELECTRONIC TECHNOLOGIES, LLC AND SHOULD NOT BE USED WITHOUT WRITTEN PERMISSION

EC NO: 734768 2023/01/12 DRWN: RAHULH3 2023/01/16 CHKD: MIRAMAKRISHNA 2023/01/16 APPR: MIRAMAKRISHNA	GENERAL TOLERANCES (UNLESS SPECIFIED)	DIMENSION UNITS	SCALE	molex			
	ANGULAR TOL ± 0.5 °	mm					
	4 PLACES ±	DRWN BY	DATE				
	3 PLACES ± 0.05	CFISHER01	2016/08/23				
2 PLACES ± 0.1	CHK'D BY	DATE	R POWER 6 AMP 5MM TERMINAL PITCH (MATL: NYLON PA6)				
1 PLACE ± 0.2	TCLEARY	2017/01/23					
0 PLACES ±	APPR BY	DATE	PRODUCT CUSTOMER DRAWING				
DRAFT WHERE APPLICABLE MUST REMAIN WITHIN DIMENSIONS	BRUTTLE	2017/01/30	SERIES	MATERIAL NUMBER	CUSTOMER		
	DRAWING SIZE	THIRD ANGLE PROJECTION	93270	SEE CHARTS	GENERAL MARKET		
D1	A2		DOCUMENT NUMBER	932700001	DOC TYPE	DOC PART	SHEET NUMBER
			PSD	000		3 OF 10	

2 CIRCUIT										
PART NUMBER	HOUSING USED	TERMINAL No.	TERMINAL VOID POSITION	REMOVED CODING KEYS	CONFIGURATION	LATCH BETWEEN	POLARIZING RIB BETWEEN	FIRST ENDWALL	LAST ENDWALL	COLOUR STRIPE
93270-0001	93269-0002	93268-0001	NONE	NONE		NONE	NONE	OPEN	OPEN	NONE
93270-0501	93283-2002	93268-0001	NONE	NONE		CCT 1&2	NONE	OPEN	OPEN	NONE
93270-0502	93283-2022	93268-0001	NONE	NONE		CCT 1&2	NONE	SHORT THIN	CLOSED	NONE
93270-0002	93269-0002	93268-0001	NONE	NONE		NONE	NONE	OPEN	OPEN	YELLOW
93270-0003	93269-0002	93268-0001	NONE	d		NONE	NONE	OPEN	OPEN	YELLOW
93270-0004	93269-0002	93268-0001	NONE	NONE		NONE	NONE	OPEN	OPEN	RED
93270-0005	93269-0002	93268-0001	NONE	b		NONE	NONE	OPEN	OPEN	RED
93270-0006	93269-0002	93268-0001	NONE	d		NONE	NONE	OPEN	OPEN	NONE
93270-0008	93269-0002	93268-0001	NONE	c		NONE	NONE	OPEN	OPEN	NONE
93270-0009	93269-0002	93268-0001	NONE	a b		NONE	NONE	OPEN	OPEN	NONE
93270-0010	93269-0002	93268-0001	NONE	a c		NONE	NONE	OPEN	OPEN	NONE
93270-0503	93283-2042	93268-0001	NONE	NONE		CCT 1&2	NONE	CLOSED	SHORT THIN	NONE
93270-0011	93269-0002	93268-0001	NONE	b d		NONE	NONE	OPEN	OPEN	NONE
93270-0012	93269-0002	93268-0001	NONE	a b c		NONE	NONE	OPEN	OPEN	NONE
93270-0013	93269-0002	93268-0001	NONE	a c d		NONE	NONE	OPEN	OPEN	NONE
93270-0014	93269-0002	93268-0001	NONE	b c d		NONE	NONE	OPEN	OPEN	NONE
93270-0015	93269-0002	93268-0001	NONE	b		NONE	NONE	OPEN	OPEN	NONE
93270-0504	93283-2022	93268-0001	NONE	a b		CCT 1&2	NONE	SHORT THIN	CLOSED	NONE
93270-0505	93283-2022	93268-0001	NONE	a c		CCT 1&2	NONE	SHORT THIN	CLOSED	NONE
93270-0506	93283-2022	93268-0001	NONE	c d		CCT 1&2	NONE	SHORT THIN	CLOSED	NONE
93270-0507	93283-2062	93268-0001	NONE	NONE		CCT 1&2	NONE	OPEN	CLOSED	NONE
93270-0016	93269-0002	93268-0001	NONE	b c		NONE	NONE	OPEN	OPEN	NONE
93270-0508	93283-2022	93268-0001	NONE	b d		CCT 1&2	NONE	SHORT THIN	CLOSED	NONE
93270-0017	93269-0082	93268-0001	NONE	b c		NONE	NONE	CLOSED	OPEN	NONE
93270-0018	93269-0082	93268-0001	NONE	NONE		NONE	NONE	CLOSED	OPEN	NONE
93270-0019	93269-0062	93268-0001	NONE	NONE		NONE	NONE	OPEN	CLOSED	NONE
93270-0020	93269-0002	93268-0001	NONE	b c		NONE	NONE	OPEN	OPEN	BLACK
93270-0021	93269-0002	93268-0001	NONE	c d		NONE	NONE	OPEN	OPEN	BLUE
93270-0022	93269-0062	93268-0001	NONE	a b		NONE	NONE	OPEN	CLOSED	RED
93270-0023	93269-0002	93268-0001	NONE	c d		NONE	NONE	OPEN	OPEN	NONE

2 CIRCUIT										
PART NUMBER	HOUSING USED	TERMINAL No.	TERMINAL VOID POSITION	REMOVED CODING KEYS	CONFIGURATION	LATCH BETWEEN	POLARIZING RIB BETWEEN	FIRST ENDWALL	LAST ENDWALL	COLOUR STRIPE
93270-0024	93269-0002	93268-0001	NONE	a		NONE	NONE	OPEN	OPEN	NONE
93270-0025	93269-0082	93268-0001	NONE	a c		NONE	NONE	CLOSED	OPEN	NONE
93270-0027	93269-0082	93268-0001	NONE	d		NONE	NONE	CLOSED	OPEN	NONE
93270-0510	93283-2082	93268-0001	NONE	NONE		CCT 1&2	NONE	CLOSED	OPEN	NONE
93270-0029	93269-0102	93268-0001	NONE	NONE		NONE	CCT 1&2	OPEN	OPEN	NONE
93270-0030	93269-0062	93268-0001	NONE	a c		NONE	NONE	OPEN	CLOSED	NONE
93270-0031	93283-2013	93268-0001	NONE	NONE		CCT 1&2	NONE	CLOSED	CLOSED	NONE
93270-0032	93269-0102	93268-0001	NONE	a d		NONE	CCT 1&2	OPEN	OPEN	NONE
93270-0033	93283-2082	93268-0001	NONE	a b c d		CCT 1&2	NONE	CLOSED	OPEN	NONE
93270-0034	93269-0002	93268-0001	NONE	a b c d		NONE	NONE	OPEN	OPEN	NONE
93270-0035	93269-0062	93268-0001	NONE	b c d		NONE	NONE	OPEN	CLOSED	NONE
93270-0039	93269-0053	93268-0001	NONE	NONE		NONE	NONE	OPEN	NARROW FLUSH	NONE
93270-0040	93283-2013	93268-0001	NONE	a b d		CCT 1&2	NONE	CLOSED	CLOSED	NONE
93270-0515	93269-0033	93268-0001	NONE	NONE		NONE	NONE	NARROW FLUSH	OPEN	NONE
93270-0041	93269-0002	93268-0001	NONE	a d		NONE	NONE	OPEN	OPEN	NONE

KEYING, CODING & LATCH IDENTIFICATION VIEWED IN MATING DIRECTION



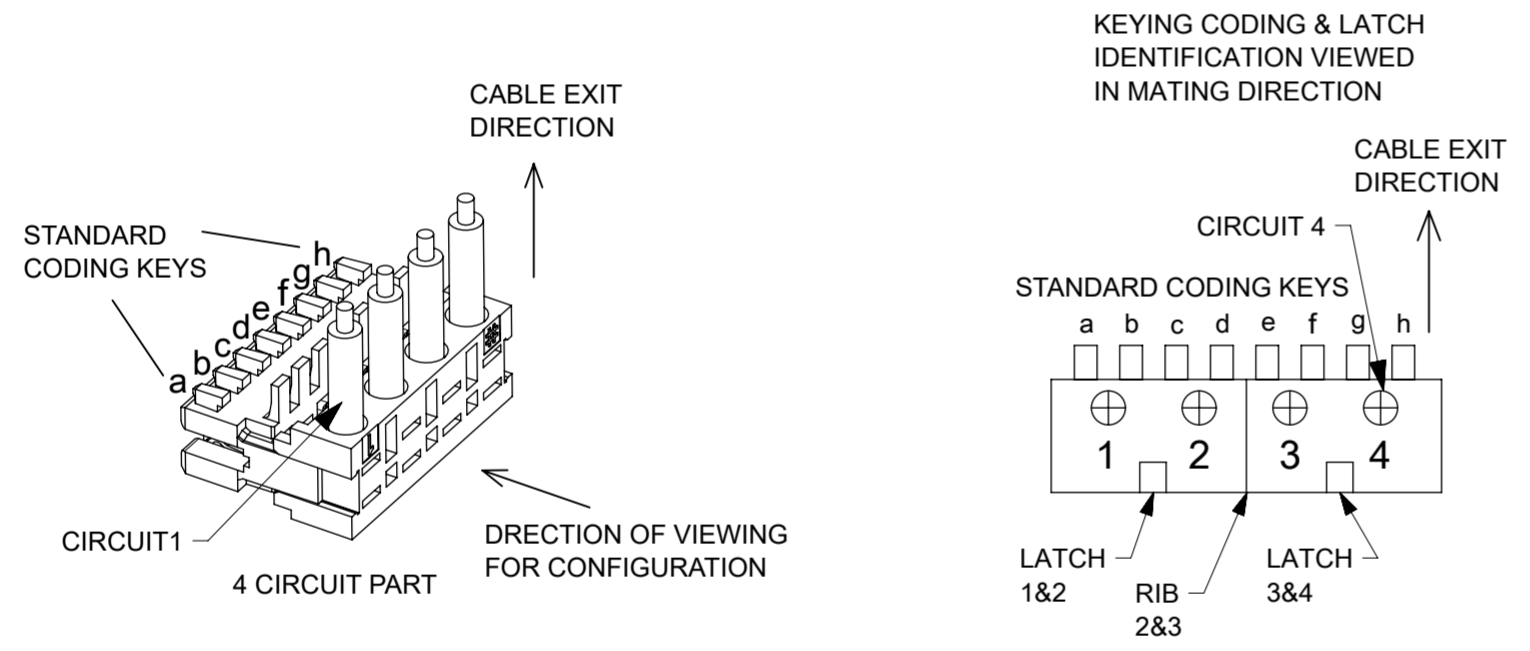
- NOTES
- + DENOTES TERMINAL VOIDED POSITION
 - ⊕ DENOTES TERMINAL LOADED POSITION
 - | DENOTES POLARIZING RIB POSITION
 - MOLEX HOUSING NO. FOR REFERENCE ONLY

THIS DRAWING CONTAINS INFORMATION THAT IS PROPRIETARY TO MOLEX ELECTRONIC TECHNOLOGIES, LLC AND SHOULD NOT BE USED WITHOUT WRITTEN PERMISSION

EC NO: 734768 DRWN: RAHULH3 CHKD: MIRAMAKRISHNA 2023/01/16	GENERAL TOLERANCES (UNLESS SPECIFIED)	DIMENSION UNITS	SCALE				
	ANGULAR TOL ± 0.5 °	mm					
APPR: MIRAMAKRISHNA 2023/01/16	4 PLACES ±	DRWN BY	DATE	R POWER 6 AMP 5MM TERMINAL PITCH (MATL: NYLON PA6)			
	3 PLACES ± 0.05	CFISHER01	2016/08/23				
	2 PLACES ± 0.1	CHK'D BY	DATE	PRODUCT CUSTOMER DRAWING			
	1 PLACE ± 0.2	TCLEARY	2017/01/23				
0 PLACES ±	APPR BY	DATE	BRUTTLE	2017/01/30			
DRAFT WHERE APPLICABLE MUST REMAIN WITHIN DIMENSIONS	DRAWING SIZE	THIRD ANGLE PROJECTION	A2	SERIES	MATERIAL NUMBER	CUSTOMER	
				93270	SEE CHARTS	GENERAL MARKET	
D1	REV			DOCUMENT NUMBER	DOC TYPE	DOC PART	SHEET NUMBER
				932700001	PSD	000	4 OF 10

2 CIRCUIT (SMALL IDT) - Use Terminal (93268-0003)

PART NUMBER	HOUSING USED	TERMINAL No.	TERMINAL VOID POSITION	REMOVED CODING KEYS	CONFIGURATION	LATCH BETWEEN	POLARIZING RIB BETWEEN	FIRST ENDWALL	LAST ENDWALL	COLOUR STRIPE
93270-0509	93283-2022	93268-0003	NONE	b c		CCT 1&2	NONE	SHORT THIN	CLOSED	NONE
93270-0511	93283-2022	93268-0003	NONE	NONE		CCT 1&2	NONE	SHORT THIN	CLOSED	NONE
93270-0036	93269-0002	93268-0003	NONE	a c		NONE	NONE	OPEN	OPEN	NONE
93270-0037	93269-0002	93268-0003	NONE	NONE		NONE	NONE	OPEN	OPEN	NONE
93270-0038	93269-0002	93268-0003	NONE	c		NONE	NONE	OPEN	OPEN	NONE
93270-0512	93283-2062	93268-0003	NONE	NONE		CCT 1&2	NONE	OPEN	CLOSED	NONE
93270-0513	93283-2082	93268-0003	NONE	NONE		CCT 1&2	NONE	CLOSED	OPEN	NONE
93270-0514	93283-2022	93268-0003	NONE	ALL		CCT 1&2	NONE	SHORT THIN	CLOSED	NONE



NOTES

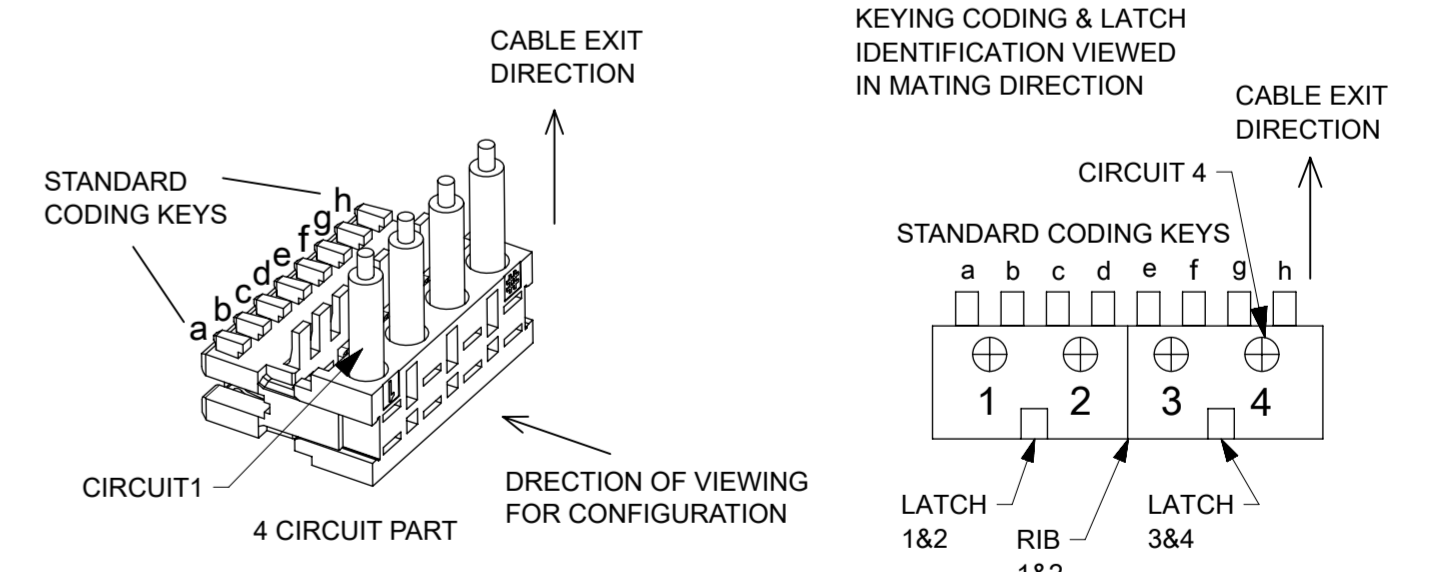
- + DENOTES TERMINAL VOIDED POSITION
⊕ DENOTES TERMINAL LOADED POSITION
| DENOTES POLARIZING RIB POSITION
- MOLEX HOUSING NO. FOR REFERENCE ONLY

THIS DRAWING CONTAINS INFORMATION THAT IS PROPRIETARY TO MOLEX ELECTRONIC TECHNOLOGIES, LLC AND SHOULD NOT BE USED WITHOUT WRITTEN PERMISSION

EC NO: 734768 DRWN: RAHULH3 CHKD: MRAMAKRISHNA APPR: MRAMAKRISHNA	2023/01/12	2023/01/16	2023/01/16	GENERAL TOLERANCES (UNLESS SPECIFIED)	DIMENSION UNITS	SCALE			
				4 PLACES ±	mm				
				3 PLACES ± 0.05	ANGULAR TOL ± 0.5 °	DRWN BY		DATE	
				2 PLACES ± 0.1	CFISHER01	2016/08/23			
			1 PLACE ± 0.2	3 PLACES ±	CHK'D BY	DATE	R POWER 6 AMP 5MM TERMINAL PITCH (MATL: NYLON PA6)		
			0 PLACES ±	TCLEARY	2017/01/23				
			DRAFT WHERE APPLICABLE MUST REMAIN WITHIN DIMENSIONS	BRUTTLE	2017/01/30	PRODUCT CUSTOMER DRAWING			
D1	REV			DRAWING SIZE	THIRD ANGLE PROJECTION	SERIES	MATERIAL NUMBER	CUSTOMER	
				A2		93270		GENERAL MARKET	
						DOCUMENT NUMBER	DOC TYPE	DOC PART	SHEET NUMBER
						932700001	PSD	000	5 OF 10

3 CIRCUIT										
PART NUMBER	HOUSING USED	TERMINAL No.	TERMINAL VOID POSITION	REMOVED CODING KEYS	CONFIGURATION	LATCH BETWEEN	POLARIZING RIB BETWEEN	FIRST ENDWALL	LAST ENDWALL	COLOUR STRIPE
93270-1001	93269-0003	93268-0001	NONE	NONE		NONE	NONE	OPEN	OPEN	NONE
93270-1501	93283-2003	93268-0001	NONE	NONE		CCT 1&2	NONE	OPEN	OPEN	NONE
93270-1002	93269-0103	93268-0001	NONE	a b c		NONE	CCT 1&2	OPEN	OPEN	RED
93270-1004	93269-0103	93268-0001	NONE	NONE		NONE	CCT 1&2	OPEN	OPEN	RED
93270-1005	93269-2003	93268-0001	NONE	a b c d e b2 c2 d2 e2		NONE	NONE	OPEN	OPEN	NONE
93270-1006	93269-0003	93268-0001	NONE	b c e		NONE	NONE	OPEN	OPEN	NONE
93270-1007	93269-0003	93268-0001	NONE	d e f		NONE	NONE	OPEN	OPEN	NONE
93270-1504	93283-2203	93268-0001	NONE	a b c		CCT 1&2	CCT 2&3	OPEN	OPEN	RED
93270-1503	93283-2023	93268-0001	NONE	c d		CCT 1&2	NONE	SHORT THIN	CLOSED	NONE
93270-1502	93283-0023	93268-0001	NONE	NONE		CCT 1&2 2&3	NONE	SHORT THIN	CLOSED	NONE
93270-1506	93283-4123	93268-0001	NONE	NONE		CCT 2&3	CCT 1&2	SHORT THIN	CLOSED	NONE
93270-1507	93283-2223	93268-0001	NONE	NONE		CCT 1&2	CCT 2&3	SHORT THIN	CLOSED	NONE
93270-1508	93283-4103	93268-0001	NONE	NONE		CCT 2&3	CCT 1&2	OPEN	OPEN	NONE
93270-1008	93269-0003	93268-0001	NONE	c d f		NONE	NONE	OPEN	OPEN	NONE
93270-1009	93269-0003	93268-0001	NONE	a d e		NONE	NONE	OPEN	OPEN	NONE
93270-1010	93269-0003	93268-0001	NONE	b c d		NONE	NONE	OPEN	OPEN	NONE
93270-1011	93269-0003	93268-0001	NONE	a d e f		NONE	NONE	OPEN	OPEN	NONE
93270-1012	93269-0003	93268-0001	NONE	a b d		NONE	NONE	OPEN	OPEN	NONE
93270-1013	93269-0103	93268-0001	CCT 2	d e f		NONE	CCT 1&2	OPEN	OPEN	NONE
93270-1014	93269-0003	93268-0001	NONE	b c d e		NONE	NONE	OPEN	OPEN	NONE
93270-1015	93269-0003	93268-0001	NONE	a c e		NONE	NONE	OPEN	OPEN	NONE
93270-1016	93269-0003	93268-0001	NONE	NONE		NONE	NONE	OPEN	OPEN	BLUE 2
93270-1017	93269-0103	93268-0001	NONE	d e f		NONE	CCT 1&2	OPEN	OPEN	NONE
93270-1025	93269-0203	93268-0001	CCT 2	a		NONE	CCT 2&3	OPEN	OPEN	NONE
93270-1018	93269-0063	93268-0001	NONE	c e		NONE	NONE	OPEN	CLOSED	NONE
93270-1019	93269-0083	93268-0001	NONE	b c e		NONE	NONE	CLOSED	OPEN	NONE
93270-1020	93269-0063	93268-0001	NONE	NONE		NONE	NONE	OPEN	CLOSED	NONE
93270-1021	93269-0003	93268-0001	NONE	NONE		NONE	NONE	OPEN	OPEN	LIGHT GREEN
93270-1023	93269-0063	93268-0001	NONE	b c e		NONE	NONE	OPEN	CLOSED	NONE
93270-1024	93269-0003	93268-0001	NONE	b c d e		NONE	NONE	OPEN	OPEN	BLACK

3 CIRCUIT										
PART NUMBER	HOUSING USED	TERMINAL No.	TERMINAL VOID POSITION	REMOVED CODING KEYS	CONFIGURATION	LATCH BETWEEN	POLARIZING RIB BETWEEN	FIRST ENDWALL	LAST ENDWALL	COLOUR STRIPE
93270-1511	93283-2063	93268-0001	NONE	NONE		CCT 1&2	NONE	OPEN	CLOSED	NONE
93270-1026	93269-0103	93268-0001	NONE	c d e f		NONE	CCT 1&2	OPEN	OPEN	NONE
93270-1512	93283-0023	93268-0001	NONE	all		CCT 1&2 2&3	NONE	SHORT THIN	CLOSED	NONE
93270-1513	93283-4003	93268-0001	NONE	NONE		CCT 2&3	NONE	OPEN	OPEN	NONE
93270-1027	93269-0003	93268-0001	NONE	a b d e		NONE	NONE	OPEN	OPEN	NONE
93270-1028	93269-0003	93268-0001	NONE	c d e f		NONE	NONE	OPEN	OPEN	NONE
93270-1029	93269-0003	93268-0001	NONE	a b c f		NONE	NONE	OPEN	OPEN	NONE
93270-1030	93269-0003	93268-0001	NONE	NONE		NONE	NONE	OPEN	OPEN	BLACK
93270-1031	93269-0103	93268-0001	CCT 2	c d e f		NONE	CCT 1&2	OPEN	OPEN	NONE
93270-1032	93269-0003	93268-0001	NONE	a b		NONE	NONE	OPEN	OPEN	NONE
93270-1033	93269-0003	93268-0001	NONE	e f		NONE	NONE	OPEN	OPEN	NONE
93270-1034	93269-0203	93268-0001	NONE	c		NONE	CCT 2&3	OPEN	OPEN	NONE
93270-1035	93269-0003	93268-0001	NONE	c		NONE	NONE	OPEN	OPEN	NONE
93270-1037	93283-4114	93268-0001	NONE	NONE		CCT 2&3	CCT 1&2	CLOSED	CLOSED	NONE
93270-1038	93269-0083	93268-0001	NONE	NONE		NONE	NONE	CLOSED	OPEN	NONE
93270-1039	93269-0103	93268-0001	NONE	NONE		NONE	CCT 1&2	OPEN	OPEN	NONE
93270-1040	93269-0134	93268-0001	NONE	NONE		NONE	CCT 1&2	NARROW (FLUSH)	OPEN	NONE
93270-1042	93269-0183	93268-0001	NONE	a f		NONE	CCT 1&2	CLOSED	OPEN	NONE



THIS DRAWING CONTAINS INFORMATION THAT IS PROPRIETARY TO MOLEX ELECTRONIC TECHNOLOGIES, LLC AND SHOULD NOT BE USED WITHOUT WRITTEN PERMISSION

EC NO: 734768 2023/01/12 DRWN: RAHULH3 2023/01/16 CHKD: MRAMAKRISHNA 2023/01/16 APPR: MRAMAKRISHNA	GENERAL TOLERANCES (UNLESS SPECIFIED)	DIMENSION UNITS	SCALE
	ANGULAR TOL ± 0.5 °	mm	
	4 PLACES ±	CFISHER01	DATE 2016/08/23
	3 PLACES ± 0.05	CHK'D BY	DATE
2 PLACES ± 0.1	TCLEARY	DATE 2017/01/23	
1 PLACE ± 0.2	APPR BY	DATE	
0 PLACES ±	BRUTTLE	DATE 2017/01/30	
DRAFT WHERE APPLICABLE MUST REMAIN WITHIN DIMENSIONS	DRAWING SIZE	THIRD ANGLE PROJECTION	
	A2		

molex

R POWER 6 AMP
5MM TERMINAL PITCH (MATL: NYLON PA6)

PRODUCT CUSTOMER DRAWING

SERIES	MATERIAL NUMBER	CUSTOMER
93270		GENERAL MARKET

DOCUMENT NUMBER	DOC TYPE	DOC PART	SHEET NUMBER
932700001	PSD	000	6 OF 10

3 CIRCUIT (SMALL IDT) - Use Terminal (93268-0003)

PART NUMBER	HOUSING USED	TERMINAL No.	TERMINAL VOID POSITION	REMOVED CODING KEYS	CONFIGURATION	LATCH BETWEEN	POLARIZING RIB BETWEEN	FIRST ENDWALL	LAST ENDWALL	COLOUR STRIPE
93270-1514	93269-0203	93268-0003	NONE	c		NONE	CCT 2&3	OPEN	OPEN	NONE
93270-1036	93269-0103	93268-0003	NONE	NONE		NONE	CCT 1&2	OPEN	OPEN	NONE
93270-1041	93269-0134	93268-0003	NONE	NONE		NONE	CCT 1&2	NARROW FLUSH	OPEN	NONE

4 CIRCUIT

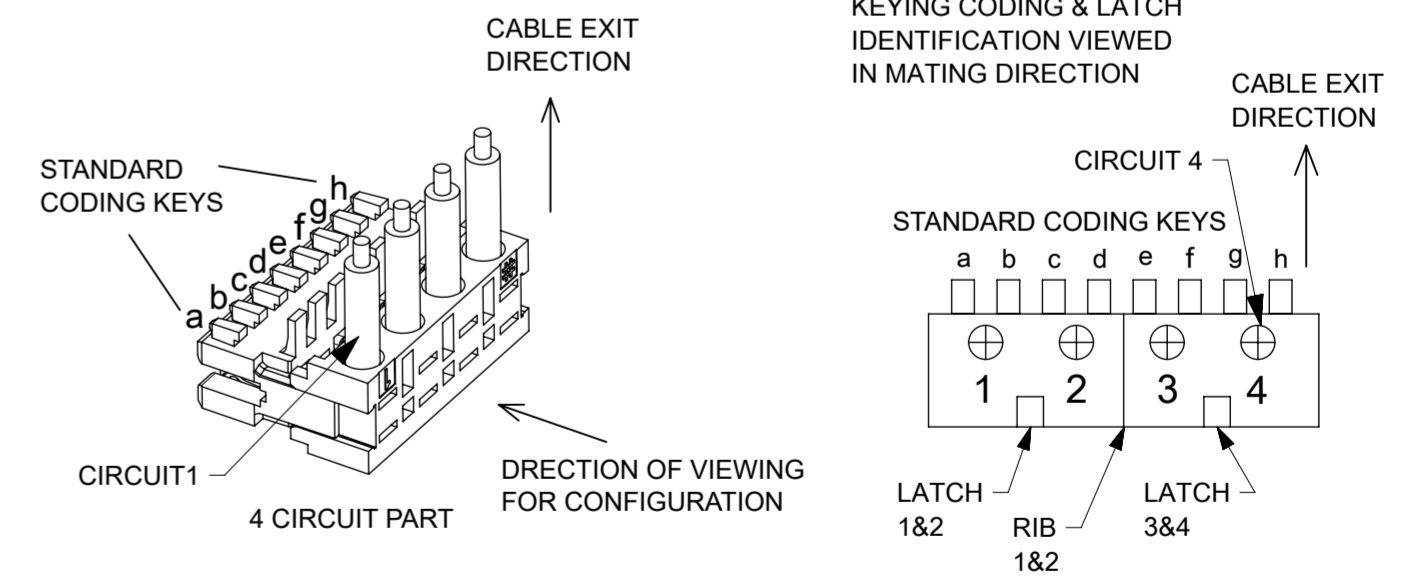
PART NUMBER	HOUSING USED	TERMINAL No.	TERMINAL VOID POSITION	REMOVED CODING KEYS	CONFIGURATION	LATCH BETWEEN	POLARIZING RIB BETWEEN	FIRST ENDWALL	LAST ENDWALL	COLOUR STRIPE
93270-2001	93269-0004	93268-0001	NONE	NONE		NONE	NONE	OPEN	OPEN	NONE
93270-2501	93283-2004	93268-0001	NONE	NONE		CCT 1&2	NONE	OPEN	OPEN	NONE
93270-2002	93269-0204	93268-0001	NONE	defgh		NONE	CCT 2&3	OPEN	OPEN	RED
93270-2003	93269-0204	93268-0001	NONE	NONE		NONE	CCT 2&3	OPEN	OPEN	RED
93270-2004	93269-0204	93268-0001	NONE	defgh		NONE	CCT 2&3	OPEN	OPEN	RED
93270-2005	93269-0004	93268-0001	NONE	defg		NONE	NONE	OPEN	OPEN	NONE
93270-2006	93269-0004	93268-0001	NONE	bcdf		NONE	NONE	OPEN	OPEN	NONE
93270-2007	93269-0004	93268-0001	NONE	abefh		NONE	NONE	OPEN	OPEN	NONE
93270-2008	93269-0004	93268-0001	NONE	ALL		NONE	NONE	OPEN	OPEN	NONE
93270-2009	93269-0004	93268-0001	NONE	abfg		NONE	NONE	OPEN	OPEN	NONE
93270-2503	93283-0224	93268-0001	NONE	NONE		CCT 1&2 3&4	CCT 2&3	SHORT THIN	CLOSED	NONE
93270-2010	93269-0004	93268-0001	NONE	cdeh		NONE	NONE	OPEN	OPEN	NONE
93270-2011	93269-0004	93268-0001	NONE	defgh		NONE	NONE	OPEN	OPEN	NONE
93270-2504	93283-0204	93268-0001	NONE	NONE		CCT 1&2 3&4	CCT 2&3	OPEN	OPEN	NONE
93270-2012	93269-0015	93268-0001	NONE	ALL		NONE	NONE	CLOSED	CLOSED	NONE
93270-2013	93283-4104	93268-0001	NONE	NONE		CCT 3&4	CCT 1&2	OPEN	OPEN	NONE
93270-2019	93269-0004	93268-0001	CCT 3	defgh		NONE	NONE	OPEN	OPEN	NONE
93270-2505	93283-0224	93268-0001	NONE	ALL		CCT 1&2 3&4	CCT 2&3	SHORT THIN	CLOSED	NONE
93270-2506	93283-0004	93268-0001	NONE	ALL		CCT 1&2 3&4	NONE	OPEN	OPEN	NONE
93270-2507	93283-0284	93268-0001	NONE	ALL		CCT 1&2 3&4	CCT 2&3	CLOSED	OPEN	NONE
93270-2020	93269-0004	93268-0001	NONE	abcdef		NONE	NONE	OPEN	OPEN	NONE
93270-2508	93283-0284	93268-0001	NONE	ALL		CCT 1&2 3&4	CCT 2&3	CLOSED	OPEN	BROWN

4 CIRCUIT

PART NUMBER	HOUSING USED	TERMINAL No.	TERMINAL VOID POSITION	REMOVED CODING KEYS	CONFIGURATION	LATCH BETWEEN	POLARIZING RIB BETWEEN	FIRST ENDWALL	LAST ENDWALL	COLOUR STRIPE
93270-2021	93269-0004	93268-0001	CCT 2	NONE		NONE	NONE	OPEN	OPEN	NONE
93270-2022	93269-0304	93268-0001	NONE	NONE		NONE	CCT 3&4	OPEN	OPEN	NONE
93270-2511	93283-0264	93268-0001	NONE	NONE		CCT 1&2 3&4	CCT 2&3	OPEN	CLOSED	NONE
93270-2513	93283-0284	93268-0001	NONE	NONE		CCT 1&2 3&4	CCT 2&3	CLOSED	OPEN	NONE
93270-2514	93269-0004	93268-0001	NONE	bde		NONE	NONE	OPEN	OPEN	NONE
93270-2515	93269-0004	93268-0001	NONE	ce		NONE	NONE	OPEN	OPEN	NONE
93270-2516	93283-0024	93268-0001	NONE	NONE		CCT 1&2 3&4	NONE	SHORT THIN	CLOSED	NONE
93270-2517	93269-0004	93268-0001	NONE	acf		NONE	NONE	OPEN	OPEN	NONE

4 CIRCUIT (SMALL IDT) - Use Terminal (93268-0003)

PART NUMBER	HOUSING USED	TERMINAL No.	TERMINAL VOID POSITION	REMOVED CODING KEYS	CONFIGURATION	LATCH BETWEEN	POLARIZING RIB BETWEEN	FIRST ENDWALL	LAST ENDWALL	COLOUR STRIPE
93270-2509	93283-9901	93268-0003	NONE	NONE		CCT 1&2 2&3	NONE	CLOSED	OPEN	BROWN
93270-2510	93283-9902	93268-0003	NONE	NONE		CCT 1&2 2&3	CCT 3&4	CLOSED	OPEN	NONE
93270-2512	93283-9903	93268-0003	NONE	NONE		CCT 1&2 2&3	CCT 3&4	OPEN	OPEN	NONE



THIS DRAWING CONTAINS INFORMATION THAT IS PROPRIETARY TO MOLEX ELECTRONIC TECHNOLOGIES, LLC AND SHOULD NOT BE USED WITHOUT WRITTEN PERMISSION

EC NO: 734768 DRWN: RAHULH3 CHKD: MIRAMAKRISHNA APPR: MIRAMAKRISHNA	GENERAL TOLERANCES (UNLESS SPECIFIED) DIMENSION UNITS: mm SCALE:	DRWN BY: CFISHER01 DATE: 2016/08/23	
	ANGULAR TOL ± 0.5 ° 4 PLACES ± 3 PLACES ± 0.05 2 PLACES ± 0.1 1 PLACE ± 0.2 0 PLACES ±	CHKD BY: TCLEARY DATE: 2017/01/23	
	DRAFT WHERE APPLICABLE MUST REMAIN WITHIN DIMENSIONS	APPR BY: BRUTTLE DATE: 2017/01/30	
	DIMENSION UNITS: mm SCALE:	THIRD ANGLE PROJECTION	
D1	A2	PRODUCT CUSTOMER DRAWING R POWER 6 AMP 5MM TERMINAL PITCH (MATL: NYLON PA6)	SERIES: 93270 MATERIAL NUMBER: 932700001 CUSTOMER: GENERAL MARKET
RELEASE STATUS: P1 RELEASE DATE: 2023/01/16 08:52:45	DOCUMENT NUMBER: 932700001 DOC TYPE: PSD DOC PART: 000 SHEET NUMBER: 7 OF 10		

5 CIRCUIT

PART NUMBER	HOUSING USED	TERMINAL No.	TERMINAL VOID POSITION	REMOVED CODING KEYS	CONFIGURATION	LATCH BETWEEN	POLARIZING RIB BETWEEN	FIRST ENDWALL	LAST ENDWALL	COLOUR STRIPE
93270-3001	93269-0005	93268-0001	NONE	NONE		NONE	NONE	OPEN	OPEN	NONE
93270-3501	93283-2005	93268-0001	NONE	NONE		CCT 1&2	NONE	OPEN	OPEN	NONE
93270-3002	93269-0005	93268-0001	NONE	c d f g i		NONE	NONE	OPEN	OPEN	NONE
93270-3003	93269-0005	93268-0001	NONE	a b c d e f g h i		NONE	NONE	OPEN	OPEN	NONE
93270-3004	93269-0005	93268-0001	NONE	ALL		NONE	NONE	OPEN	OPEN	NONE
93270-3502	93283-0325	93268-0001	NONE	NONE		CCT 1&2 4&5	CCT 3&4	SHORT THIN	CLOSED	NONE
93270-3503	93283-2425	93268-0001	NONE	NONE		CCT 1&2	CCT 4&5	SHORT THIN	CLOSED	NONE
93270-3504	93283-0205	93268-0001	NONE	NONE		CCT 1&2 4&5	CCT 2&3	OPEN	OPEN	NONE
93270-3005	93269-0105	93268-0001	NONE	NONE		NONE	CCT 1&2	OPEN	OPEN	NONE
93270-3006	93269-0005	93268-0001	NONE	b c d g h j		NONE	NONE	OPEN	OPEN	NONE
93270-3007	93269-0016	93268-0001	NONE	ALL		NONE	NONE	CLOSED	CLOSED	NONE
93270-3505	93283-0225	93268-0001	NONE	ALL		CCT 1&2 4&5	CCT 2&3	SHORT THIN	CLOSED	NONE
93270-3009	93269-0005	93268-0001	CCT 2,4	NONE		NONE	NONE	OPEN	OPEN	NONE
93270-3010	93283-4125	93268-0001	NONE	NONE		CCT 4&5	CCT 1&2	SHORT THIN	CLOSED	NONE
93270-3506	93269-0205	93268-0001	NONE	ALL		NONE	CCT 2&3	OPEN	OPEN	NONE
93270-3011	93269-0005	93268-0001	NONE	a b c d f g h i j		NONE	NONE	OPEN	OPEN	NONE
93270-3507	93269-0405	93268-0001	NONE	NONE		NONE	CCT 4&5	OPEN	OPEN	NONE
93270-3508	93283-0025	93268-0001	NONE	NONE		CCT 1&2 4&5	NONE	SHORT THIN	CLOSED	NONE
93270-3012	93269-0005	93268-0001	NONE	c e j		NONE	NONE	OPEN	OPEN	NONE
93270-3013	93269-0005	93268-0001	NONE	a b i j		NONE	NONE	OPEN	OPEN	NONE
93270-3509	93283-0006	93268-0001	NONE	NONE		CCT 1&2 4&5	NONE	OPEN	CLOSED	NONE

THIS DRAWING CONTAINS INFORMATION THAT IS PROPRIETARY TO MOLEX ELECTRONIC TECHNOLOGIES, LLC AND SHOULD NOT BE USED WITHOUT WRITTEN PERMISSION

EC NO: 734768 DRWN: RAHULH3 CHKD: MRAMAKRISHNA APPR: MRAMAKRISHNA	2023/01/12	2023/01/16	2023/01/16	GENERAL TOLERANCES (UNLESS SPECIFIED)	DIMENSION UNITS	SCALE				
				mm						
	ANGULAR TOL ± 0.5 °			DRWN BY	DATE					
	4 PLACES ±	CFISHER01	2016/08/23							
3 PLACES ± 0.05			CHK'D BY	DATE		R POWER 6 AMP 5MM TERMINAL PITCH (MATL: NYLON PA6)				
2 PLACES ± 0.1	TCLEARY	2017/01/23								
1 PLACE ± 0.2	BRUTTLE	2017/01/30								
0 PLACES ±										
DRAFT WHERE APPLICABLE MUST REMAIN WITHIN DIMENSIONS			DRAWING SIZE	THIRD ANGLE PROJECTION			PRODUCT CUSTOMER DRAWING			
D1	A2						SERIES	MATERIAL NUMBER	CUSTOMER	
							93270		GENERAL MARKET	
							DOCUMENT NUMBER	DOC TYPE	DOC PART	SHEET NUMBER
							932700001	PSD	000	8 OF 10

6 CIRCUIT										
PART NUMBER	HOUSING USED	TERMINAL No.	TERMINAL VOID POSITION	REMOVED CODING KEYS	CONFIGURATION	LATCH BETWEEN	POLARIZING RIB BETWEEN	FIRST ENDWALL	LAST ENDWALL	COLOUR STRIPE
93270-4001	93269-0006	93268-0001	NONE	NONE		NONE	NONE	OPEN	OPEN	NONE
93270-4501	93283-2006	93268-0001	NONE	NONE		CCT 1&2	NONE	OPEN	OPEN	NONE
93270-4002	93269-0006	93268-0001	NONE	a b c d g h i j k l + b2 c2 d2 e2 f2 g2 h2 i2 j2 k2		NONE	NONE	OPEN	OPEN	NONE
93270-4502	93283-0306	93268-0001	NONE	NONE		CCT 1&2 5&6	CCT 3&4	OPEN	OPEN	NONE
93270-4003	93269-0006	93268-0001	NONE	a b c d e f g h i j k l		NONE	NONE	OPEN	OPEN	NONE
93270-4004	93269-0006	93268-0001	NONE	a l		NONE	NONE	OPEN	OPEN	NONE
93270-4503	93283-2526	93268-0001	NONE	NONE		CCT 1&2	CCT 5&6	SHORT THIN	CLOSED	NONE
93270-4005	93269-0206	93268-0001	NONE	NONE		NONE	CCT 2&3	OPEN	OPEN	NONE
93270-4006	93269-0006	93268-0001	NONE	c d e h i j		NONE	NONE	OPEN	OPEN	NONE
93270-4007	93269-0006	93268-0001	NONE	a b e f g h k l		NONE	NONE	OPEN	OPEN	NONE
93270-4504	93283-0206	93268-0001	NONE	NONE		CCT 1&2 5&6	CCT 2&3	OPEN	OPEN	NONE
93270-4505	93283-0026	93268-0001	NONE	NONE		CCT 1&2 5&6	NONE	SHORT THIN	CLOSED	NONE
93270-4506	93269-0006	93268-0001	NONE	NONE		CCT 1&2 5&6	NONE	OPEN	OPEN	NONE
93270-4008	93269-0017	93268-0001	NONE	ALL		NONE	NONE	CLOSED	CLOSED	NONE
93270-4009	93269-0206	93268-0001	NONE	NONE		NONE	CCT 2&3	OPEN	OPEN	BLACK
93270-4010	93283-0046	93268-0001	NONE	NONE		CCT 1&2 5&6	NONE	CLOSED	SHORT THIN	NONE
93270-4507	93283-0026	93268-0001	NONE	NONE		CCT 1/2 5/6	NONE	SHORT THIN	CLOSED	NONE
93270-4508	93283-0206	93268-0001	NONE	NONE		CCT 1&2 5&6	CCT 2&3	OPEN	OPEN	BLACK
93270-4011	93269-0006	93268-0001	NONE	a d e f g h i l		NONE	NONE	OPEN	OPEN	NONE
93270-4510	93283-0217	93268-0001	NONE	NONE		CCT 1&2 5&6	CCT 2&3	CLOSED	CLOSED	NONE
93270-4511	93283-0026	93268-0001	NONE	NONE		CCT 1&2 5&6	NONE	SHORT THIN	CLOSED	NONE
93270-4512	93269-0006	93268-0001	NONE	a d		NONE	NONE	OPEN	OPEN	NONE
93270-4513	93283-0206	93268-0001	NONE	h i j		NONE	CCT 2&3	OPEN	OPEN	NONE

7 CIRCUIT										
PART NUMBER	HOUSING USED	TERMINAL No.	TERMINAL VOID POSITION	REMOVED CODING KEYS	CONFIGURATION	LATCH BETWEEN	POLARIZING RIB BETWEEN	FIRST ENDWALL	LAST ENDWALL	COLOUR STRIPE
93270-5001	93269-0007	93268-0001	NONE	NONE		NONE	NONE	OPEN	OPEN	NONE
93270-5501	93283-2007	93268-0001	NONE	NONE		CCT 1&2	NONE	OPEN	OPEN	NONE
93270-5502	93283-0027	93268-0001	NONE	NONE		CCT 1&2 6&7	NONE	SHORT THIN	CLOSED	NONE
93270-5002	93269-0007	93268-0001	NONE	b c d e f h i j k l m		NONE	NONE	OPEN	OPEN	NONE
93270-5003	93269-0007	93268-0001	NONE	b c e f g i j k m n		NONE	NONE	OPEN	OPEN	ORANGE
93270-5004	93269-0007	93268-0001	NONE	c d g h i j k		NONE	NONE	OPEN	OPEN	NONE
93270-5503	93283-0307	93268-0001	NONE	NONE		CCT 1&2 6&7	CCT 3&4	OPEN	OPEN	NONE
93270-5504	93283-0007	93268-0001	NONE	NONE		CCT 1&2 6&7	NONE	OPEN	OPEN	NONE
93270-5005	93269-0007	93268-0001	NONE	a b c d e g h i j k l m		NONE	NONE	OPEN	OPEN	NONE
93270-5006	93269-0207	93268-0001	NONE	NONE		NONE	CCT 2&3	OPEN	OPEN	NONE
93270-5505	93283-0007	93268-0001	NONE	NONE		CCT 1&2 6&7	NONE	OPEN	OPEN	NONE
93270-5007	93269-2007	93268-0001	NONE	a b c d e f i j k l m b2 c2 d2 e2 f2 g2 h2 i2 j2 k2 m2		NONE	NONE	OPEN	OPEN	NONE
93270-5008	93269-0007	93268-0001	NONE	c d e f g h i j k l m n		NONE	NONE	OPEN	OPEN	NONE
93270-5506	93283-0227	93268-0001	NONE	ALL		CCT 1&2 6&7	CCT 2&3	SHORT THIN	CLOSED	NONE
93270-5009	93269-0007	93268-0001	NONE	m n		NONE	NONE	OPEN	OPEN	NONE
93270-5010	93269-0007	93268-0001	NONE	c d e f g h i j k l m n		NONE	NONE	OPEN	OPEN	NONE
93270-5011	93269-0027	93268-0001	NONE	NONE		NONE	NONE	SHORT THIN	CLOSED	NONE
93270-5507	93283-0027	93268-0001	NONE	ALL		CCT 1&2 6&7	NONE	SHORT THIN	CLOSED	NONE
93270-5012	93269-0007	93268-0001	NONE	c d g i j l m n		NONE	NONE	OPEN	OPEN	NONE
93270-5013	93269-0007	93268-0001	NONE	c d g i j k l m n		NONE	NONE	OPEN	OPEN	NONE
93270-5014	93269-0507	93268-0001	NONE	NONE		NONE	CCT 5&6	OPEN	OPEN	NONE

6 CIRCUIT (SMALL IDT) - Use Terminal (93268-0003)										
PART NUMBER	HOUSING USED	TERMINAL No.	TERMINAL VOID POSITION	REMOVED CODING KEYS	CONFIGURATION	LATCH BETWEEN	POLARIZING RIB BETWEEN	FIRST ENDWALL	LAST ENDWALL	COLOUR STRIPE
93270-4012	93269-0006	93268-0003	NONE	NONE		NONE	NONE	OPEN	OPEN	NONE

THIS DRAWING CONTAINS INFORMATION THAT IS PROPRIETARY TO MOLEX ELECTRONIC TECHNOLOGIES, LLC AND SHOULD NOT BE USED WITHOUT WRITTEN PERMISSION

EC NO: 734768 DRWN: RAHULH3 CHKD: MRAMAKRISHNA APPR: MRAMAKRISHNA	GENERAL TOLERANCES (UNLESS SPECIFIED)	DIMENSION UNITS	SCALE	
	ANGULAR TOL ± 0.5 °	mm		
	4 PLACES ±	DRWN BY	DATE	
	3 PLACES ± 0.05	CFISHER01	2016/08/23	
2 PLACES ± 0.1	CHK'D BY	DATE	R POWER 6 AMP 5MM TERMINAL PITCH (MATL: NYLON PA6)	
1 PLACE ± 0.2	TCLEARY	2017/01/23		
0 PLACES ±	APPR BY	DATE		
DRAFT WHERE APPLICABLE MUST REMAIN WITHIN DIMENSIONS	BRUTTLE	2017/01/30		
D1	DRAWING SIZE	THIRD ANGLE PROJECTION	PRODUCT CUSTOMER DRAWING	
	A2		SERIES	MATERIAL NUMBER
			93270	932700001
			DOCUMENT NUMBER	DOC TYPE
			932700001	PSD
			DOC PART	SHEET NUMBER
			000	9 OF 10

8 CIRCUIT										
PART NUMBER	HOUSING USED	TERMINAL No.	TERMINAL VOID POSITION	REMOVED CODING KEYS	CONFIGURATION	LATCH BETWEEN	POLARIZING RIB BETWEEN	FIRST ENDWALL	LAST ENDWALL	COLOUR STRIPE
93270-6001	93269-0008	93268-0001	NONE	NONE		NONE	NONE	OPEN	OPEN	NONE
93270-6501	93283-2008	93268-0001	NONE	NONE		CCT 1&2	NONE	OPEN	OPEN	NONE
93270-6502	93283-0308	93268-0001	NONE	NONE		CCT 1&2 7&8	CCT 3&4	OPEN	OPEN	NONE
93270-6002	93269-0208	93268-0001	NONE	NONE		NONE	CCT 2&3	OPEN	OPEN	NONE
93270-6003	93269-0019	93268-0001	NONE	ALL		NONE	NONE	CLOSED	CLOSED	NONE
93270-6004	93269-0419	93268-0001	NONE	NONE		NONE	CCT 4&5	CLOSED	CLOSED	NONE

10 CIRCUIT														
PART NUMBER	HOUSING USED	TERMINAL No.	TERMINAL VOID POSITION	REMOVED CODING KEYS	CONFIGURATION	LATCH BETWEEN	POLARIZING RIB BETWEEN	FIRST ENDWALL	LAST ENDWALL	COLOUR STRIPE				
93270-8001	93269-0010	93268-0001	NONE	NONE		NONE	NONE	OPEN	OPEN	NONE				
93270-8501	93283-2010	93268-0001	NONE	NONE		CCT 1&2	NONE	OPEN	OPEN	NONE				
93270-8002	93269-0110	93268-0001	NONE	NONE		NONE	CCT 1&2	OPEN	OPEN	NONE				
93270-8003	93269-0310	93268-0001	NONE	NONE		NONE	CCT 3&4	OPEN	OPEN	NONE				
93270-8004	93283-0010	93268-0001	CCT 2,9	NONE		CCT 1&2 9&10	NONE	OPEN	OPEN	BLUE				
93270-8502	93283-0310	93268-0001	NONE	NONE		1&2 9&10	CCT 3&4	OPEN	OPEN	NONE				

9 CIRCUIT										
PART NUMBER	HOUSING USED	TERMINAL No.	TERMINAL VOID POSITION	REMOVED CODING KEYS	CONFIGURATION	LATCH BETWEEN	POLARIZING RIB BETWEEN	FIRST ENDWALL	LAST ENDWALL	COLOUR STRIPE
93270-7001	93269-0009	93268-0001	NONE	NONE		NONE	NONE	OPEN	OPEN	NONE
93270-7501	93283-2009	93268-0001	NONE	NONE		CCT 1&2	NONE	OPEN	OPEN	NONE
93270-7502	93283-0029	93268-0001	NONE	NONE		CCT 1&2 8&9	NONE	SHORT THIN	CLOSED	NONE
93270-7503	93283-0029	93268-0001	NONE	ALL		CCT 1&2 8&9	NONE	SHORT THIN	CLOSED	NONE
93270-7002	93269-0009	93268-0001	NONE	ALL		NONE	NONE	OPEN	OPEN	NONE
93270-7504	93283-2309	93268-0001	NONE	NONE		CCT 1&2	CCT 3&4	OPEN	OPEN	NONE
93270-7003	93269-0209	93268-0001	NONE	NONE		NONE	CCT 2&3	OPEN	OPEN	NONE
93270-7004	93269-0020	93268-0001	NONE	ALL		NONE	NONE	CLOSED	CLOSED	NONE
93270-7505	93283-0229	93268-0001	NONE	NONE		CCT 1&2 8&9	CCT 2&3	SHORT THIN	CLOSED	NONE
93270-7506	93283-0309	93268-0001	NONE	NONE		CCT 1&2 8&9	CCT 3&4	OPEN	OPEN	NONE
93270-7507	93283-0209	93268-0001	NONE	NONE		CCT 1&2 8&9	CCT 2&3	OPEN	OPEN	GREEN
93270-7005	93269-0009	93268-0001	CCT 3,4,7	bcdefghij klmnopq		NONE	NONE	OPEN	OPEN	NONE

11 CIRCUIT														
PART NUMBER	HOUSING USED	TERMINAL No.	TERMINAL VOID POSITION	REMOVED CODING KEYS	CONFIGURATION	LATCH BETWEEN	POLARIZING RIB BETWEEN	FIRST ENDWALL	LAST ENDWALL	COLOUR STRIPE				
93270-9001	93269-0011	93268-0001	NONE	NONE		NONE	NONE	OPEN	OPEN	NONE				
93270-9251	93283-2011	93268-0001	NONE	NONE		CCT 1&2	NONE	OPEN	OPEN	NONE				

12 CIRCUIT														
PART NUMBER	HOUSING USED	TERMINAL No.	TERMINAL VOID POSITION	REMOVED CODING KEYS	CONFIGURATION	LATCH BETWEEN	POLARIZING RIB BETWEEN	FIRST ENDWALL	LAST ENDWALL	COLOUR STRIPE				
93270-9501	93269-0012	93268-0001	NONE	NONE		NONE	NONE	OPEN	OPEN	NONE				
93270-9751	93283-2012	93268-0001	NONE	NONE		CCT 1&2	NONE	OPEN	OPEN	NONE				

THIS DRAWING CONTAINS INFORMATION THAT IS PROPRIETARY TO MOLEX ELECTRONIC TECHNOLOGIES, LLC AND SHOULD NOT BE USED WITHOUT WRITTEN PERMISSION

EC NO: 734768 DRWN: RAHULH3 CHKD: MRAMAKRISHNA APPR: MRAMAKRISHNA	2023/01/12	2023/01/16	2023/01/16	GENERAL TOLERANCES (UNLESS SPECIFIED)	DIMENSION UNITS	SCALE	
	4 PLACES ±		ANGULAR TOL ± 0.5 °	mm	DRWN BY	DATE	
	3 PLACES ± 0.05			CFISHER01	2016/08/23		
	2 PLACES ± 0.1			CHK'D BY	DATE		
1 PLACE ± 0.2			TCLEARY	2017/01/23			
0 PLACES ±			APPR BY	DATE			
			BRUTTLE	2017/01/30			
DRAFT WHERE APPLICABLE MUST REMAIN WITHIN DIMENSIONS		DRAWING SIZE		THIRD ANGLE PROJECTION		PRODUCT CUSTOMER DRAWING	
A2		A2		SERIES		MATERIAL NUMBER	
				93270		CUSTOMER	
				DOCUMENT NUMBER		GENERAL MARKET	
				932700001		PSD	
				DOC TYPE		DOC PART	
				000		SHEET NUMBER	
						10 OF 10	