

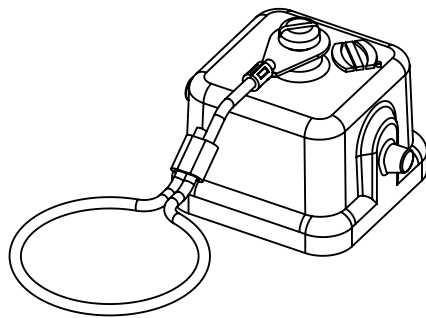
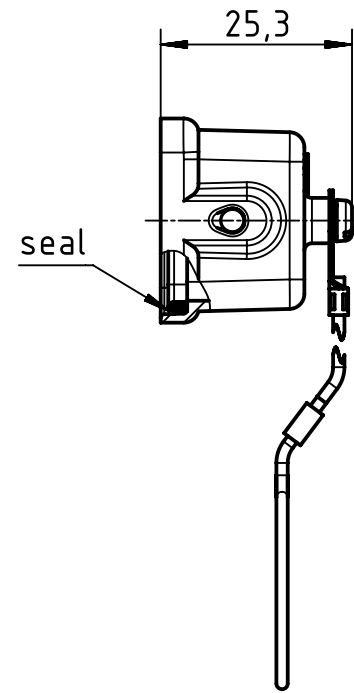
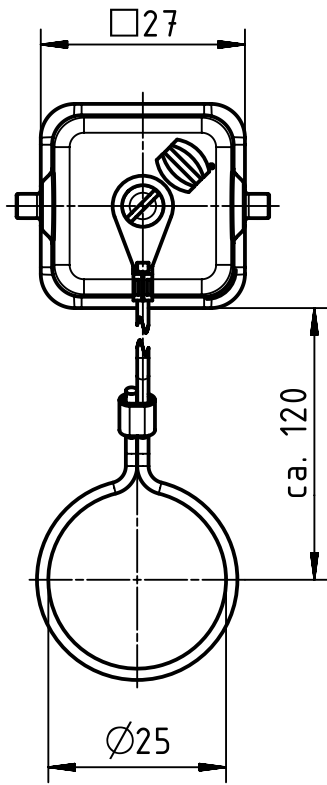
1 2 3 4 5 6

A


B

C

D



for housings with female insert

	All Dimensions in mm Original Size DIN A4		Scale 1:1	Free size tol.		Ref.	
	All rights reserved Department EL PD		Created by FINKEV	Inspected by GERB	Standardisation TIEMANNA	Date 2019-07-22	State Final Release
HARTING Electric GmbH & Co. KG D-32339 Espelkamp		Title Han Ex-C for HCC Han 3A with seal				Doc-Key / ECM-Nr. 100689390/UGD/002/C 50000014.8900	
		Type TB	Number 09 36 003 5409			Rev. C	Page 1/1