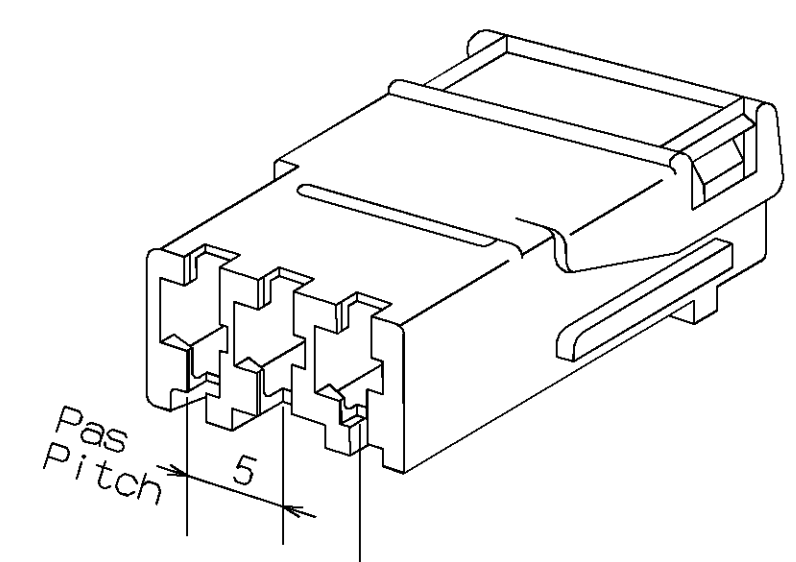
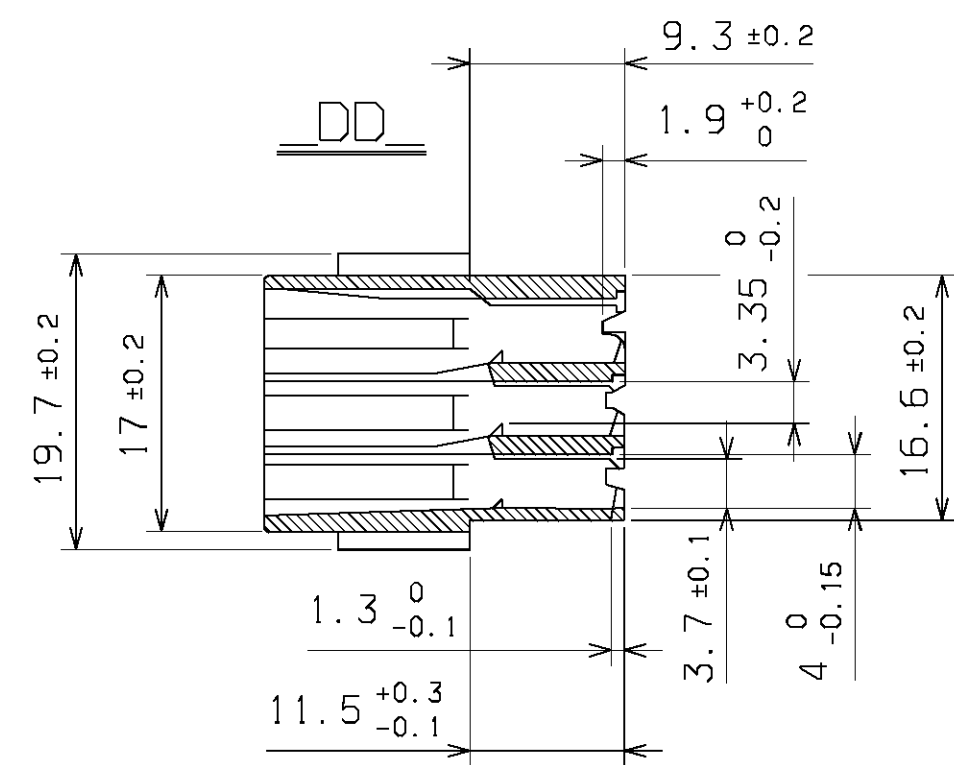
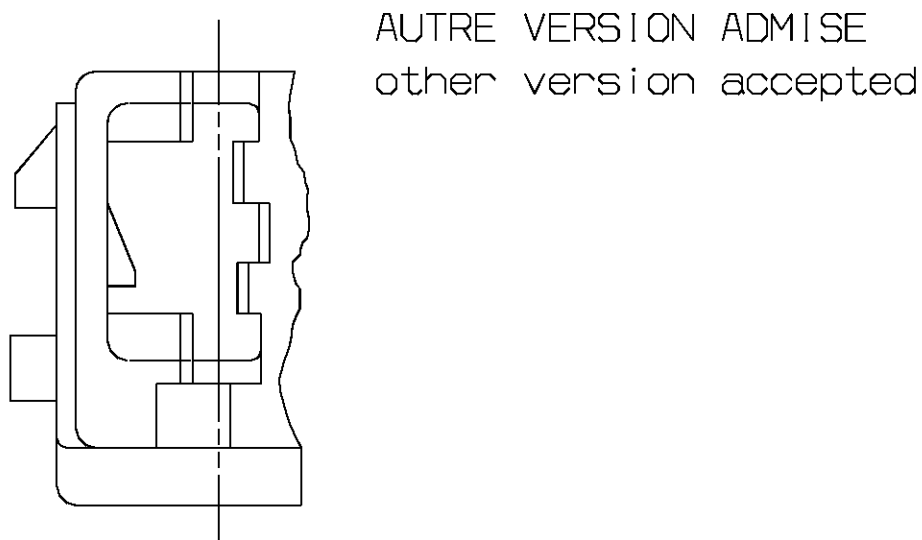
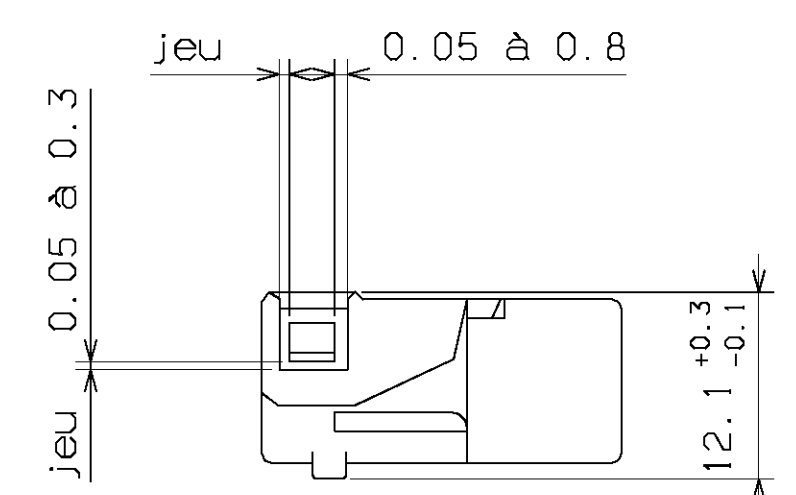
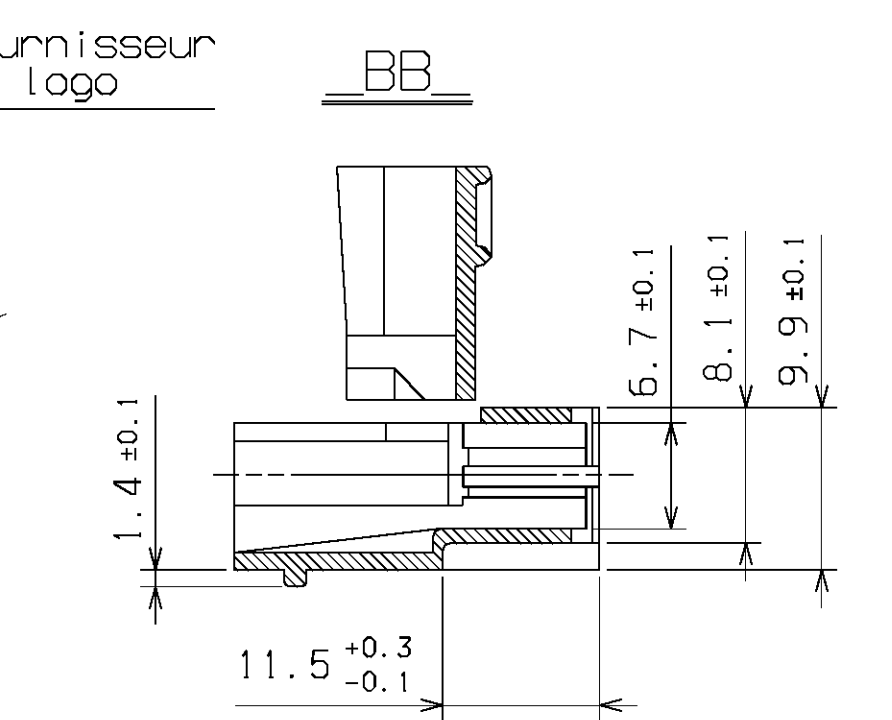
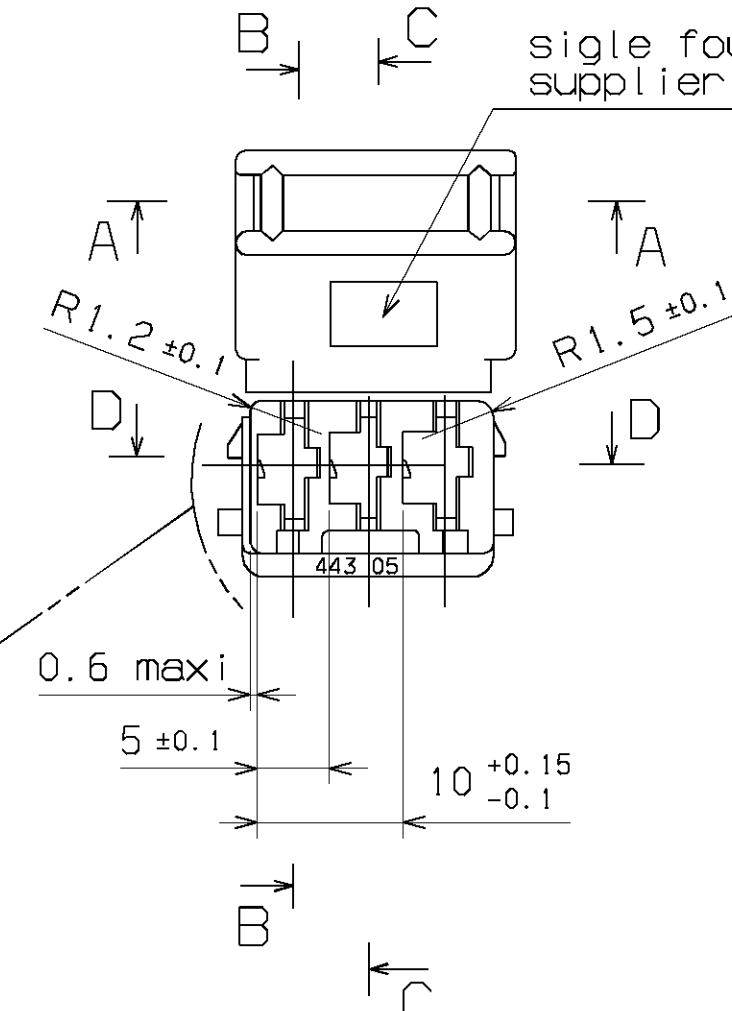
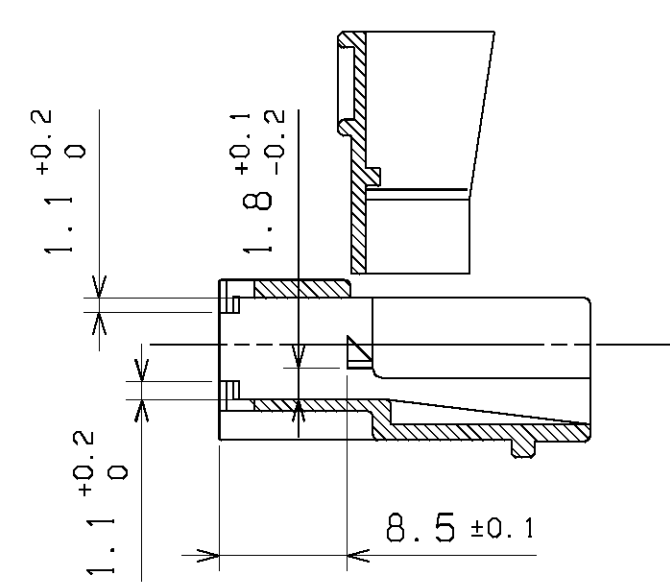
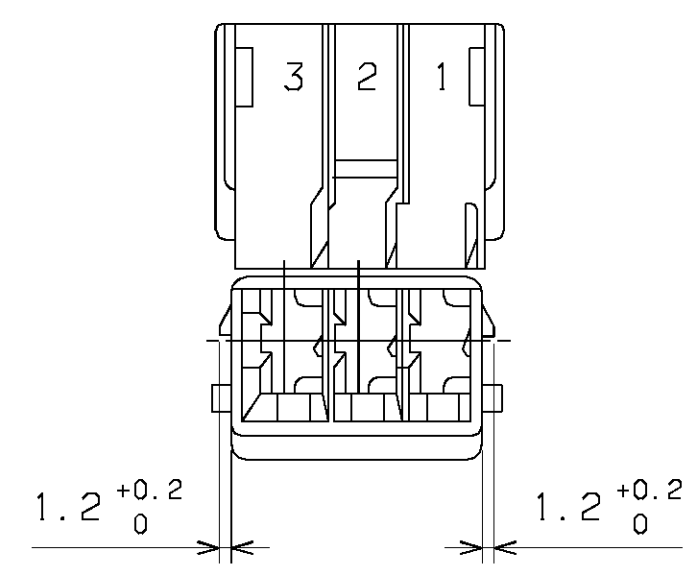
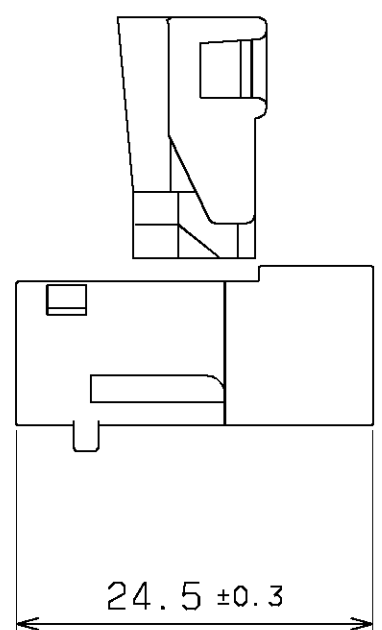
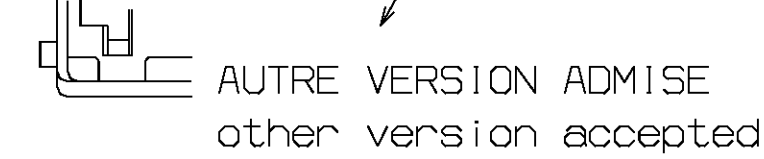
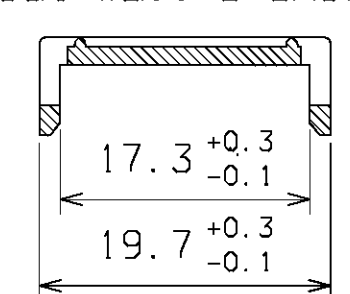


(cloisons non représentées) AA
(without wall's showing)



Référence	Couleur	Colour	Matière/Material
0989361039	marron	brown	PA 6.6
0989361032	rouge	red	PA 6.6
0989361033	orange	orange	PA 6.6
0989361034	jaune	yellow	PA 6.6
0989361036	bleu	blue	PA 6.6
0989361035	vert	green	PA 6.6
0989361031	noir	black	PA 6.6
0989361030	blanc	white	PA 6.6

NOTA- Connexions à employer :

- 0988901014
- 0988951014 (pour cables de 0.35 à 1 mm² isolant réduit)
- 0988952014
- 0988901011
- 0988903011 (----- 0.35 à 1 mm²)
- 0988951011
- 0988952011
- 0988901012
- 0988903012 (----- 1 à 3 mm²)
- 0988951012
- 0988952012

NOTE Use terminals :

- (for wire 0.35 to 1 mm² reduced insulation)
- (----- 0.35 to 1 mm²)
- (----- 1 to 3 mm²)

FROM DRAWING P/N 443--22-- IND. M 95/05/02
Change part numbers, supplier logo and drawing frame
05/09/23
Modif

- Cotes à contrôler sur pièces en état stabilisé à 2.5% ± 1.5% de teneur en eau.
- Dimensions to be controlled on parts in stabilized state at 2.5% ± 1.5% relative humidity.

ENTER DESCRIPTION EC NO: G2006-0100 DRAWN: PBOUSQUAIN 2005/10/05 CH: KO: JUCLOS 2005/10/05 APPR: LST LICKE IR 2005/10/05 REV M1	DESCRIPTION M1	GENERAL TOLERANCES (UNLESS SPECIFIED)		DIMENSION STYLE	SCALE	DESIGN UNITS	FIRST ANGLE PROJECTION	
		mm	INCH	MM ONLY	2:1	METRIC		
		4 PLACES ±	±	DRAWN BY	DATE	TITLE	CSP5 RCPT HSG W/ CAP PA6/6 3CKT	
		3 PLACES ±	±	HE	81/06/12			
2 PLACES ± 0.1	±	CHECKED BY	DATE		MOLEX INCORPORATED			
1 PLACE ± 0.1	±	JLD	05/09/23					
ANGULAR ± 2°		APPROVED BY	DATE	MATERIAL NO.		DOCUMENT NO.	SHEET NO.	
DRAFT WHERE APPLICABLE MUST REMAIN WITHIN DIMENSIONS		LST	05/09/23	SEE CHART		SD-98936-006	1 OF 1	
THIS DRAWING CONTAINS INFORMATION THAT IS PROPRIETARY TO MOLEX INCORPORATED AND SHOULD NOT BE USED WITHOUT WRITTEN PERMISSION								