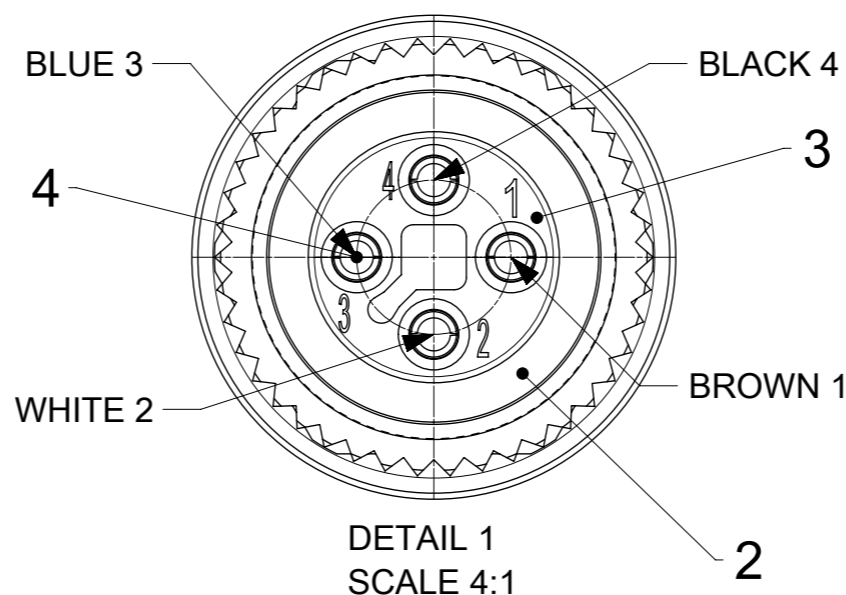


POS	DESCRIPTION	MATERIAL	FINISH
1	NUT M12 FE	BRASS	Ni
2	GASKET	FPM	-
3	INSERT M12 FE	PA	BLACK
4	CONTACT 15 FE	BRASS	Au
5	OVERMOLD	TPE	BLACK
6	CABLE 4x1.5 D7.8	TPU	BLACK
7	I/D CARRIER	-	-

CONNECTOR PIN ASSIGNMENT
MATING SIDE



TECHNICAL DATA:

CONTACT ϕ : 1.5mm
 RATED VOLTAGE: 63V DC
 RATED CURRENT: 12A (40°)
 OVERVOLTAGE CATEGORIE: 3
 POLLUTION DEGREE: 3
 DIELECTRIC STRENGTH: 1500V
 CONTACT RESITANCE: $\leq 5m\Omega$
 INSULATION RESISTANCE: MIN: $10^8\Omega$

IP RATING: IP67 (connected condition)
 TEMPERATURE RANGE FIXED: -40°C TO +90°C

PACKAGING:
 THE CORDSETS ARE PACKED IN PLASTIC BAGS
 AND DELIVERED IN CARTON BOXES

TABLE 1: Cable Length

MATERIAL NO.	ENGINEERING NO.	L [mm]	TOLERANCE [mm]
1205000021	T0P4000B43M010	1000	±25
1205000022	T0P4000B43M020	2000	±25
1205000023	T0P4000B43M050	5000	±25
1205000024	T0P4000B43M100	10000	±30
1205000091	T0P4000B43M200	20000	±50

SYMBOLS DIMENSION UNITS: mm SCALE: 2:1 GENERAL TOLERANCES (UNLESS SPECIFIED) ANGULAR TOL: $\pm 1.0^\circ$ 4 PLACES: \pm 3 PLACES: \pm 2 PLACES: ± 0.05 1 PLACE: ± 0.3 0 PLACES: ± 0.5 DRAFT WHERE APPLICABLE MUST REMAIN WITHIN DIMENSIONS THIRD ANGLE PROJECTION	THIS DRAWING CONTAINS INFORMATION THAT IS PROPRIETARY TO MOLEX ELECTRONIC TECHNOLOGIES, LLC AND SHOULD NOT BE USED WITHOUT WRITTEN PERMISSION CURRENT REV DESC: EC NO: 172515 DRWN: SSM 2018/02/07 CHK'D: PDODDAMANEMY 2018/02/28 APPR: RSILLER 2018/03/01		 CSE M12 4P TC FE STR WSOR XM SE UNSH		
	INITIAL REVISION: DRWN: MSCHWARZ 2015/08/13 APPR: JALEXANDER 2016/05/10				PRODUCT CUSTOMER DRAWING DOCUMENT NUMBER: 1205000021 DOC TYPE: PSD DOC PART: 000 REVISION: A5
	MATERIAL NUMBER: SEE TABLE 1 CUSTOMER: GENERAL MARKET SHEET NUMBER: 1 OF 1		DRAWING: A3-SIZE SERIES: 120500		
	DOCUMENT STATUS: P1 RELEASE DATE: 2018/03/01 09:50:41				