

PART NO.	ENGINEERING NO.	FINISHED LENGTH
1300120289	332121A04M010	1M (3 FT, 3 IN)
1300120297	332121A04M050	5M (16 FT, 5 IN)
1300120301	332121A04M100	10M (32 FT, 10 IN)

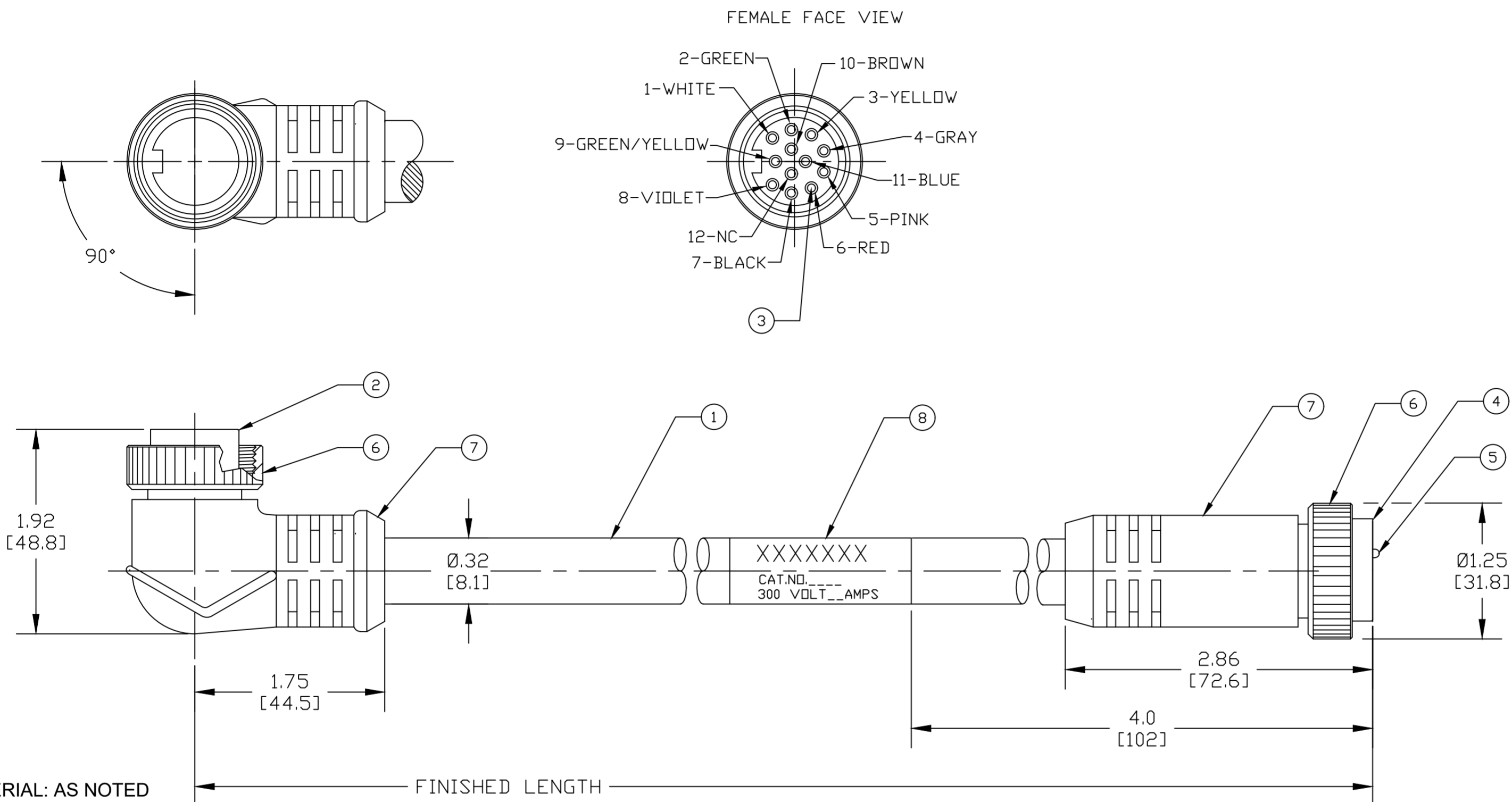
PART NUMBER LEGEND

332121A04M010

FINISHED LENGTH:

M005= 0.5 METER
M010= 1.0 METER
M100= 10.0 METER

CABLE LENGTH TOLERANCES	
>.3M [1FT]:	+19mm-0 [+ .75in-0]
.3 - .9M [1 - 3FT]:	+44.5mm-0 [+1.75in-0]
.9 - 1.8M [3 - 6FT]:	+55.6mm-0 [+2.19in-0]
1.8 - 3.7M [6 - 12FT]:	+88.9mm-0 [+3.50in-0]
3.7 - 7.3M [12 - 24FT]:	+165.1mm-0 [+6.50in-0]
7.3-14.6M [24 - 48FT]:	+317.5mm-0 [+12.50in-0]
14.6 - 30.5M [48-100FT]:	+622.3mm-0 [+24.50in-0]
OVER 30M [100FT]:	+2% OF FINISHED LENGTH



- NOTES:
1. MATERIAL: AS NOTED
 2. FINISH: AS NOTED
 3. ELECTRICAL:
VOLTAGE: 300V
CURRENT: 2.5A
 4. TEMP RATING: -25°C TO +90°C
 5. PROTECTION: IP67 (WHEN MATED)
 6. COUPLING THREAD: 1 1/8-16 UN
 7. CSA CERTIFIED FILE: LR6837
 8. ALL DIMS ARE FOR REFERENCE UNLESS TOLERANCED OR NOTED OTHERWISE

ITEM	DESCRIPTION	MATERIAL	FINISH
8	WRAP LABEL	VINYL	BLACK/YELLOW
7	OVERMOLD	TPE	YELLOW
6	COUPLING NUT, INT. THD	ZINC DIE-CAST	NICKEL PLATED
5	CONTACT PIN	COPPER ALLOY	GOLD PLATED
4	MALE INSERT	TPE	YELLOW
3	CONTACT SOCKET	COPPER ALLOY	GOLD PLATED
2	FEMALE INSERT	TPE	YELLOW
1	CABLE, 11C, 18 & 22 AWG	PUR JACKET	BLACK

THIS DRAWING CONTAINS INFORMATION THAT IS PROPRIETARY TO MOLEX ELECTRONIC TECHNOLOGIES, LLC AND SHOULD NOT BE USED WITHOUT WRITTEN PERMISSION									
SYMBOLS		DIMENSION UNITS		SCALE		CURRENT REV DESC: RELEASED			
= 0		INCH/MM		1:1		<p>molex</p> <p>MINI-CHANGE CABLE ASSEMBLY</p> <p>12 POLE, MALE, STRAIGHT TO FEMALE 90 DEG</p> <p>PRODUCT CUSTOMER DRAWING</p> <p>DOCUMENT NUMBER: 1300120288</p> <p>DOC TYPE: PSD</p> <p>DOC PART: 000</p> <p>REVISION: A</p> <p>MATERIAL NUMBER: GENERAL MARKET</p> <p>CUSTOMER: GENERAL MARKET</p> <p>SHEET NUMBER: 1 OF 1</p>			
= 0		GENERAL TOLERANCES (UNLESS SPECIFIED)							
= 0		mm		INCH					
= 0		4 PLACES		±----					
= 0		3 PLACES		±----					
= 0		2 PLACES		±----					
= 0		1 PLACE		±----					
= 0		0 PLACES		±----					
= 0		ANGULAR TOL ± ---- °				EC NO: 628049			
= 0		DRAFT WHERE APPLICABLE MUST REMAIN WITHIN DIMENSIONS				DRWN: R STONE 2019/11/20			
= 0		THIRD ANGLE PROJECTION				CHK'D: MZIELINSKI 2019/11/25			
= 0		DRAWING C-SIZE				APPR: BWOODMAN 2019/11/27			
= 0		SERIES 130012				INITIAL REVISION:			
= 0		MATERIAL NUMBER				DRWN: R STONE 2019/11/20			
= 0		CUSTOMER				APPR: BWOODMAN 2019/11/26			