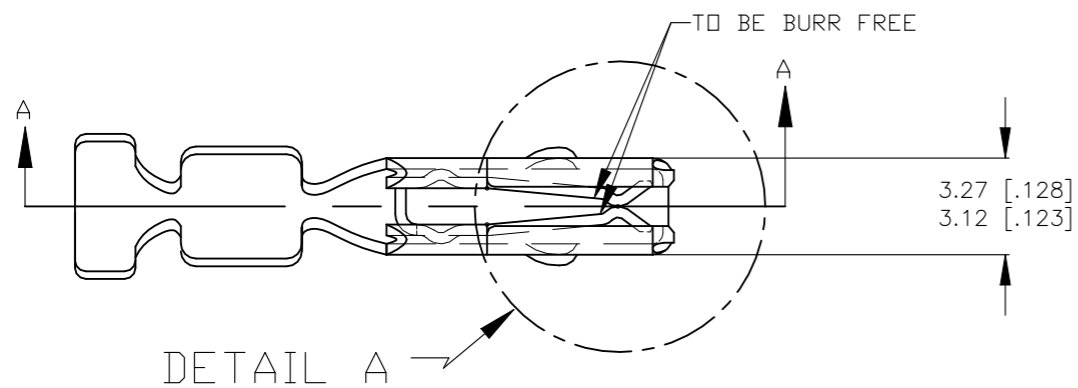
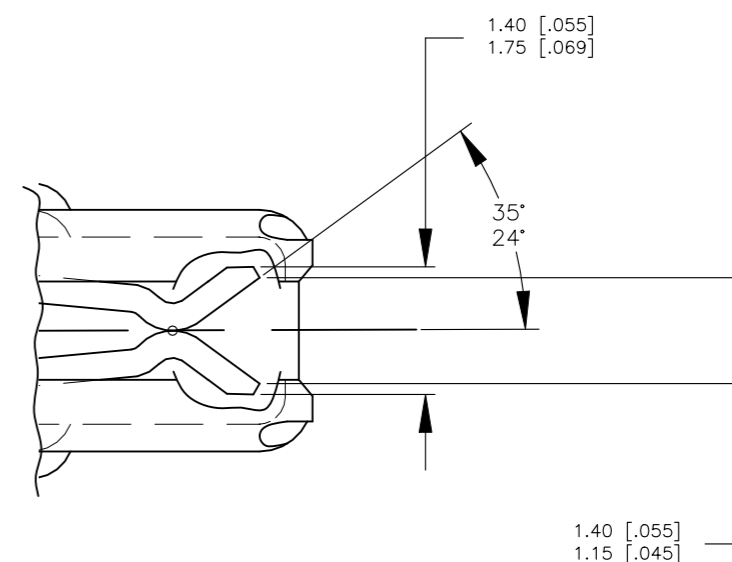
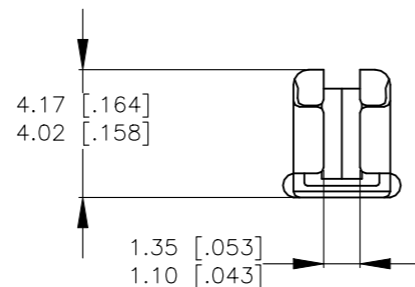
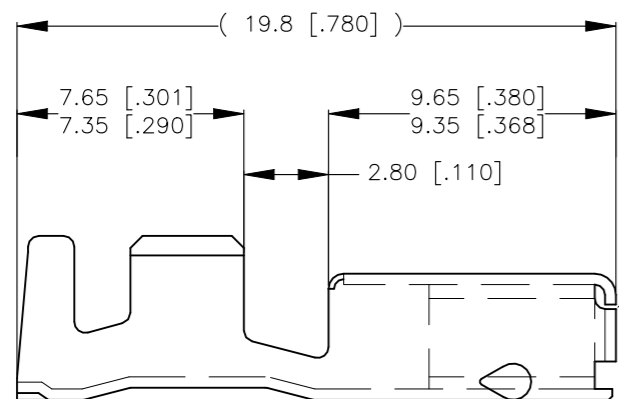


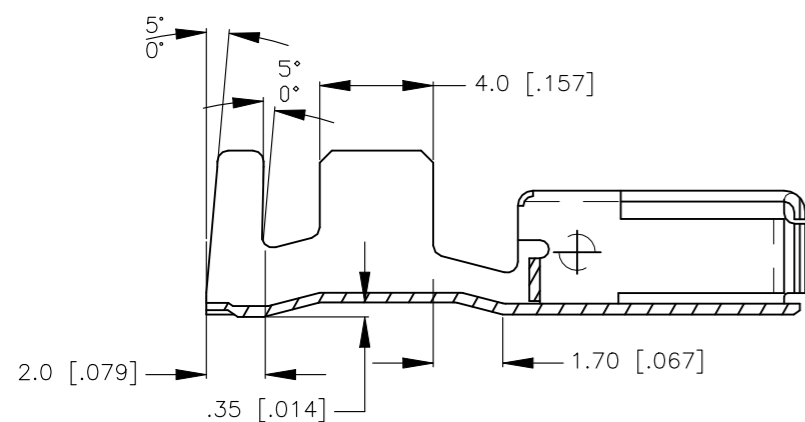
P	LTR	DESCRIPTION	DATE	DWN	APVD
	0	EC OKTB-0010-03	09MAY03	JRB	DMR
	A	REVISED PER ECO-20-012417	11SEP2020	AP	WW
	A1	REVISED PER ECN-22-170703	19OCT2022	AP	AB



DETAIL A



DETAIL A



SECTION A-A

OBSOLETE	1438236-4		13
	1438236-3	-	12
	1438236-2	1438236-5	18
OBSOLETE	1438236-1	-	14
	TYCO P/N	TYCO P/N REWOUND	GRIP CODE

THIS DRAWING IS A CONTROLLED DOCUMENT.		DWN JR BUSSARD 09 MAY 2003	STE TE Connectivity	
DIMENSIONS: mm		CHK DM REVAK 09 MAY 2003		
TOLERANCES UNLESS OTHERWISE SPECIFIED:		APVD DM REVAK 09 MAY 2003	NAME TERMINAL - WIRING FEMALE	
0 PLC ± -		PRODUCT SPEC	SIZE	
1 PLC ± -		APPLICATION SPEC	CAGE CODE	
2 PLC ± 0.30 1 PLC		WEIGHT 0.000000	DRAWING NO A3 00779 C-1438236	
3 PLC ± -		MATERIAL -	RESTRICTED TO	
4 PLC ± -			-	
ANGLES ± 1°		CUSTOMER DRAWING		
FINISH -		SCALE 5:1		SHEET 1 OF 1
		REV A1		