

REVISIONS

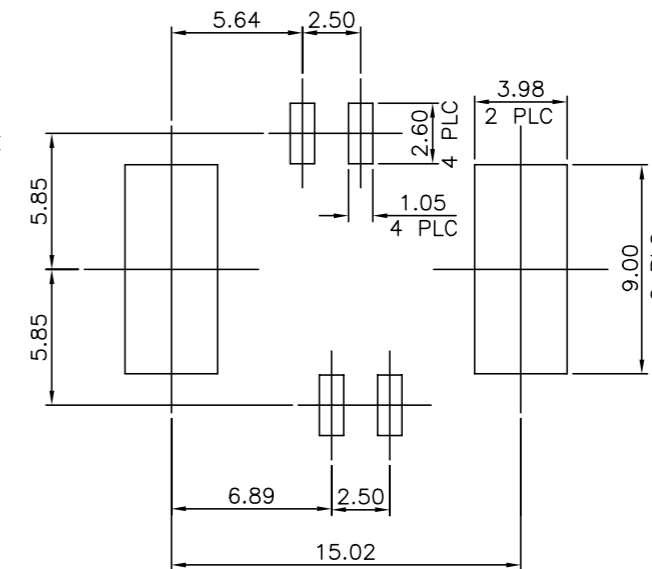
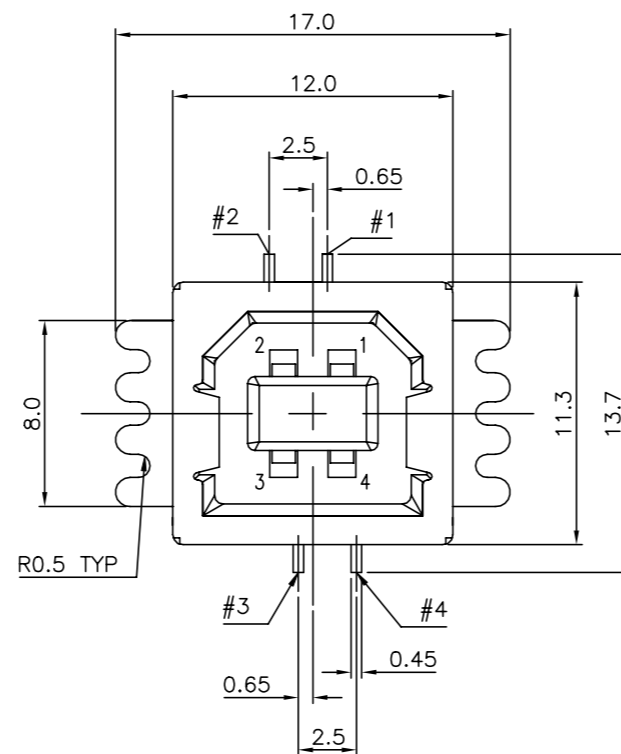
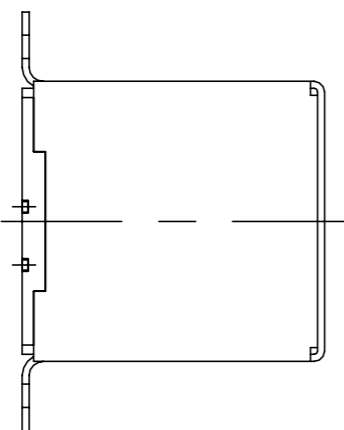
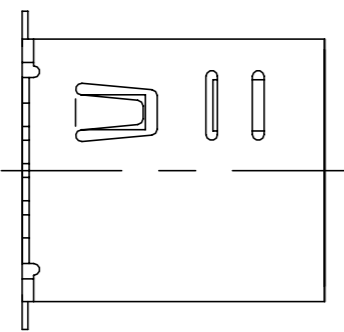
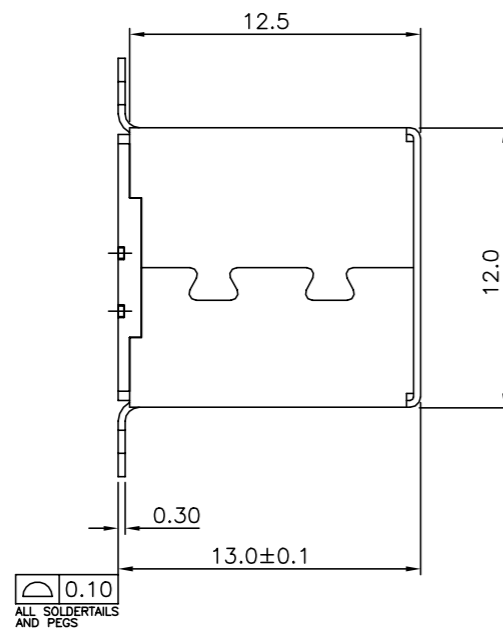
P	LTR	DESCRIPTION	DATE	DWN	APVD
	D	REVISED AS PER ECN-22-176158	03AUG2022	HS	SZ

NOTES :

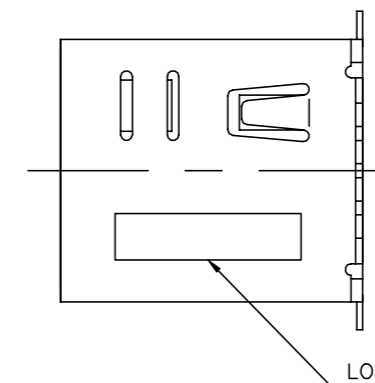
- MATERIAL:
HOUSING: THERMOPLASTIC, UL 94V-0, COLOR: SEE TABLE.
CONTACT: PHOSPHOR BRONZE, THICKNESS=0.25mm.
SHELL: STAINLESS STEEL, THICKNESS=0.30mm.
- FINISH:
CONTACT: GOLD FLASH OVER 0.762um [30u"] MIN. PALLADIUM-NICKEL OR ALTERNATIVE 0.762um [30u"] MIN. GOLD PLATING ON CONTACT AREA,
2.54um [100u"] MIN. MATTE-TIN PLATING ON SOLDER TAILS,
1.27um [50u"] MIN. NICKEL UNDERPLATED OVER ALL.
SHELL: 2.54um [100u"] MIN. NICKEL PLATED OVER
1.27um [50u"] MIN. Cu UNDERPLATED.
- REFLOW SOLDER CAPABLE TO 260°C PER TE SPEC 109-201, CONDITION B.

⚠ PRELIMINARY PART.

⚠ CUSTOMER RESTRICTED PART, NOT FOR GENERAL SALES.



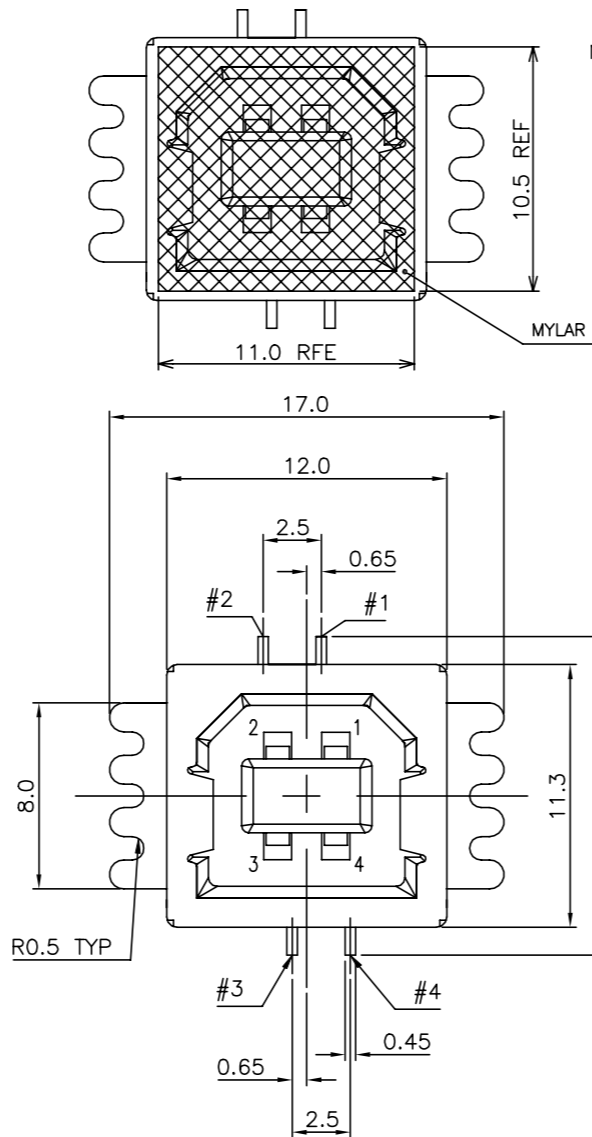
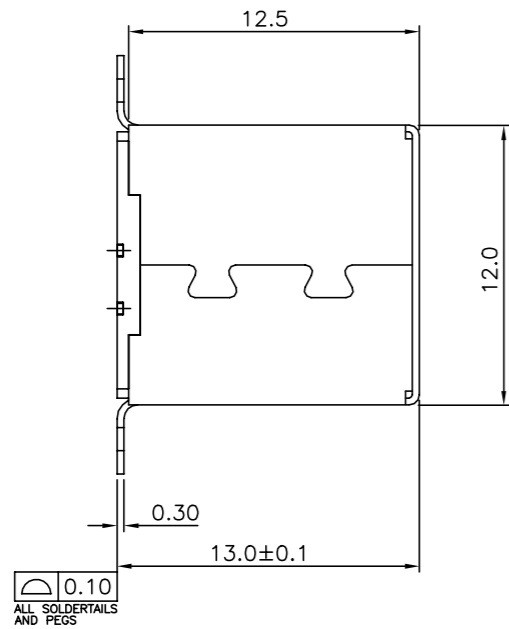
RECOMMENDED PCB LAYOUT
(TOLERANCE: ±0.05)



⚠	BLACK	1734517-5
⚠	BLUE	1734517-4
	WHITE	1734517-3
	BLACK	1734517-1
	H/S COLOR	PART NUMBER

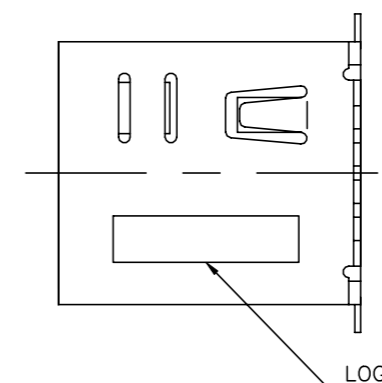
THIS DRAWING IS A CONTROLLED DOCUMENT.		DWN	20MAR2019	TE Connectivity Ltd.	
		CHK	S.LI 21MAR2019		
DIMENSIONS: mm		APVD	S.LI 21MAR2019	NAME	
TOLERANCES UNLESS OTHERWISE SPECIFIED:		PRODUCT SPEC		108-57538	
0 PLC ± 0.38 1 PLC ± 0.25 2 PLC ± 0.13 3 PLC ± 0.05 4 PLC ± - ANGLES ± 3°		APPLICATION SPEC		-	
MATERIAL		WEIGHT		SIZE	RESTRICTED TO
-		-		A3	-
FINISH		-		CAGE CODE	DRAWING NO
-		-		00779	©=1734517
CUSTOMER DRAWING				SCALE	REV
				N/A	D
				SHEET	1 of 3

P	LTR	DESCRIPTION	DATE	DWN	APVD
-	-	SEE SHEET 1	-	-	-



NOTES :

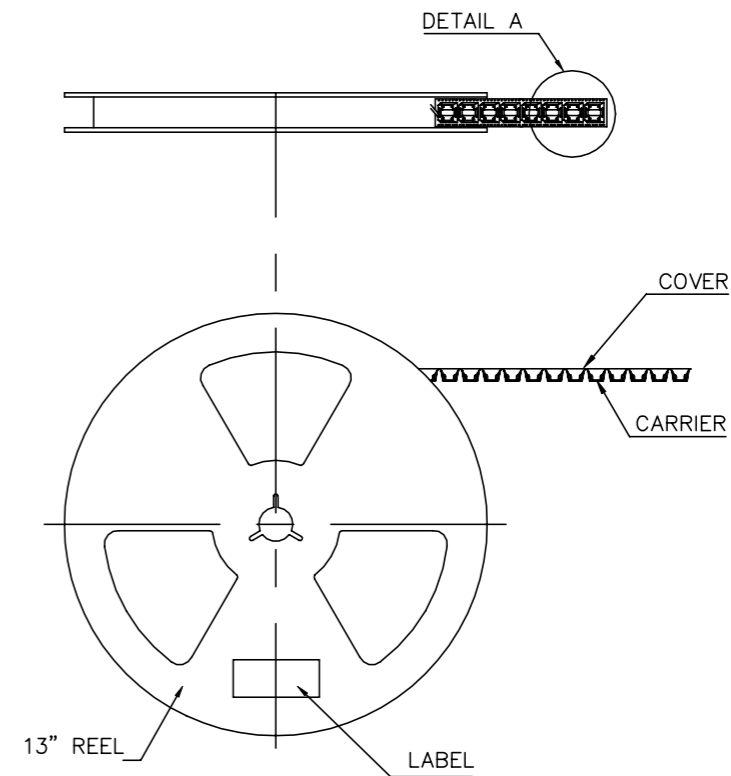
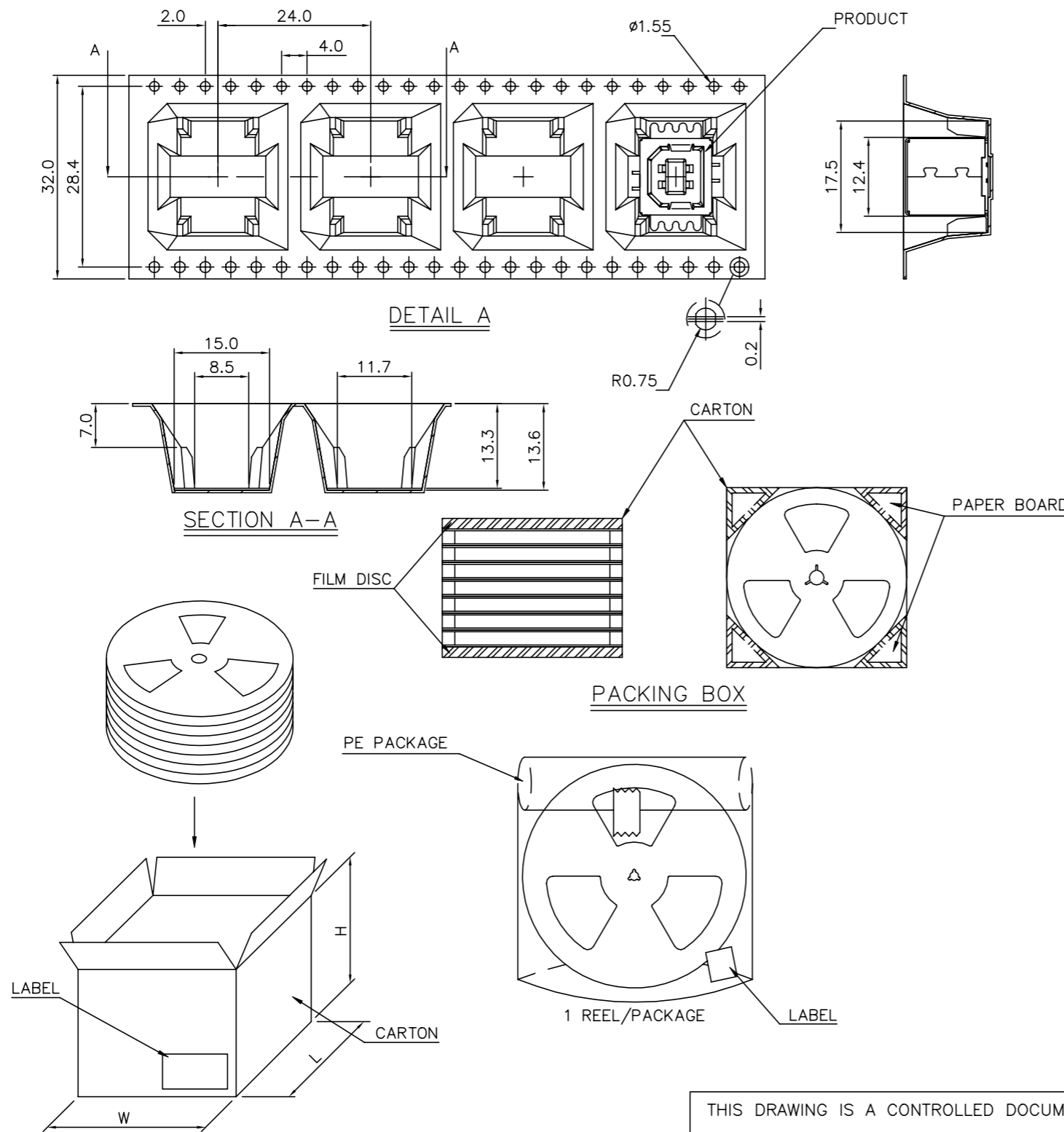
- MATERIAL:
 - HOUSING: THERMOPLASTIC, UL 94V-0, COLOR: BLACK.
 - CONTACT: PHOSPHOR BRONZE, THICKNESS=0.25mm.
 - SHELL: STAINLESS STEEL, THICKNESS=0.30mm.
 - MYLAR: POLYIMIDE FILM ADHESIVE TAPE, T=0.35MM (HIGH TEMPERATURE-RESISTANT RANGE: 255°C TO 260°C, 5-10S)
- FINISH:
 - CONTACT: GOLD FLASH OVER 0.762um [30u"] MIN. PALLADIUM-NICKEL OR ALTERNATIVE 0.762um [30u"] MIN. GOLD PLATING ON CONTACT AREA, 2.54um [100u"] MIN. MATTE-TIN PLATING ON SOLDER TAILS, 1.27um [50u"] MIN. NICKEL UNDERPLATED OVER ALL.
 - SHELL: 2.54um [100u"] MIN. NICKEL PLATED OVER 1.27um [50u"] MIN. Cu UNDERPLATED.
- REFLOW SOLDER CAPABLE TO 260°C PER TE SPEC 109-201, CONDITION B.



SHOWN AS: 1734517-2

THIS DRAWING IS A CONTROLLED DOCUMENT.		DWN	20MAR2019	TE Connectivity Ltd.	
		CHK	21MAR2019		
		APVD	21MAR2019		
DIMENSIONS: mm		TOLERANCES UNLESS OTHERWISE SPECIFIED:		NAME	
		0 PLC ± 0.38 1 PLC ± 0.25 2 PLC ± 0.13 3 PLC ± 0.05 4 PLC ± - ANGLES ± 3°		PRODUCT SPEC 108-57538	
MATERIAL		FINISH		APPLICATION SPEC	
-		-		-	
		WEIGHT		RESTRICTED TO	
		-		-	
CUSTOMER DRAWING				SIZE	RESTRICTED TO
				A3	-
				CAGE CODE	DRAWING NO
				00779	©=1734517
				SCALE	SHEET
				N/A	2 of 3
				REV	D

P	LTR	DESCRIPTION	DATE	DWN	APVD
-	-	SEE SHEET 1	-	-	-



- NOTES :
- MATERIAL :
 - 1.1 EMBOSSED CARRIER: PS.
 - 1.2 COVER: PET.
 - 1.3 CARTON: K=A.
 - DIMENSION :
 - 2.1 REEL: W=32.0.
 - 2.2 CARTON: L=348, W=348, H=340.
 - QUANTITY :
 - 3.1 PRIMARY PACKING: 200PCS/REEL.
 - 3.2 SECONDARY PACKING: 8 REEL/CARTON(1,600PCS).
 - WEIGHT :
 - 4.1 NET WEIGHT: 8.0kg/CARTON.
 - 4.2 GROSS WEIGHT: 9.0kg/CARTON.
 - PEELING RESISTANCE: 10g~130g.

THIS DRAWING IS A CONTROLLED DOCUMENT.		DWN	20MAR2019	TE Connectivity Ltd.	
		CHK	S.LI 21MAR2019		
		APVD	S.LI 21MAR2019	NAME	
		PRODUCT SPEC		USB B TYPE, TOP ENTRY, 4 POSITION, SMT TYPE	
		108-57538			
		APPLICATION SPEC			
		WEIGHT	-	SIZE	A3
		CUSTOMER DRAWING		CAGE CODE	00779
				DRAWING NO	©=1734517
				RESTRICTED TO	-
				SCALE	N/A
				SHEET	3 of 3
				REV	D