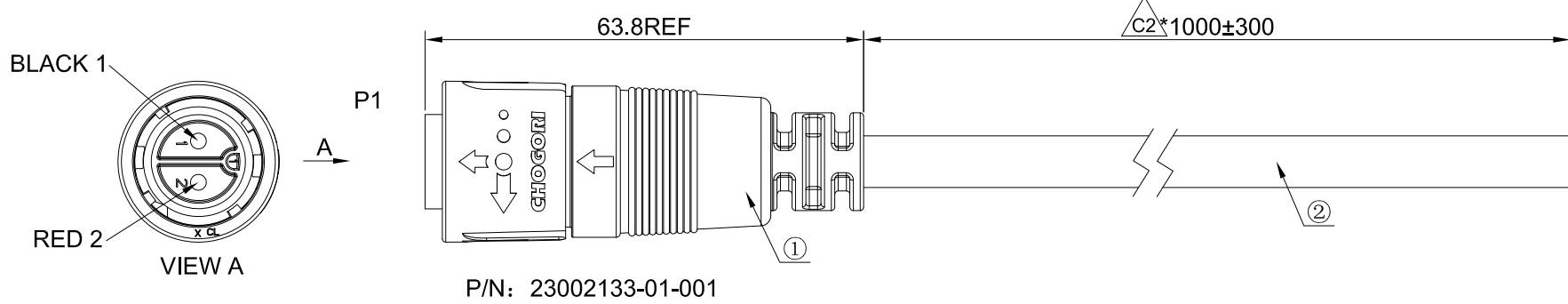


5	6	7	8
REV.	ECN NO.	DATE	SIGN
C1	NA	2022/05/28	XU
C2	NA	2022/06/24	XU

THIS INFORMATION IS CONFIDENTIAL AND IS DISCLOSED TO YOU ON CONDITION THAT NO FURTHER DISCLOSURE IS MADE BY YOU TO OTHER THAN CHOGORI PERSONNEL WITHOUT AUTHORIZATION FROM CHOGORI CORP.



SPECIFICATIONS:

- 1.INSULATION RESISTANCE: 10MΩ@500VDC/0.01S.
- 2.VOLTAGE RATING: 300V.
- 3.CURRENT RATING: 20A.
- 4.OPERATION TEMPERATURE: -40℃~+80℃.
- 5.WATERPROOF IPX7(MATED).
- 6.RoHS COMPLIANT.

2	900-00201-00024	A/R	M	UL2464 2C*14AWG PVC -40~80℃ 300V BLACK OD7.5
1	23002133-01-001	1	PC	MIDDIE SERIES 2PIN MALE CONNECTOR WITH MALE PIN(4 LOCKS,MOLDING,-511)
No.	Material No.	Q'ty	Unit	Material Description

Material List

UNIT:mm		TITLE
未注线性和角度尺寸公差 UNSPECIFIED TOLERANCE		MIDDIE SERIES 2PIN MALE CONNECTOR WITH MALE PIN(4 LOCKS,MOLDING,-511) L=1000MM
SCALE	N/A	SHEET
		1 of 1
REV.	C2	SIZE
		A4
		* Inspection Item

CHOGORI[®]
Chogori Technology Co., Ltd

ITEM NO.	11C03622051401	DRAWN BY	XU	DATE	2022/06/24
DWG NO.	11C03622051401	CHECKED BY		DATE	
CUSTOMER NO.		REV.		APPROVED BY	
				DATE	