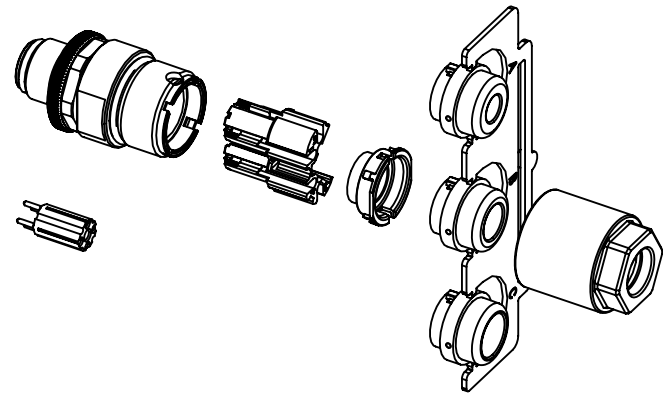


order contacts separately

4,5-8,8mm	AWG 24-20	09 67 000 8576
	AWG 26-22	09 67 000 5576
	AWG 22-18	09 67 000 3576
cable ϕ	wire gauge	part-no.

shielding resistance $\leq 1,5$ Ohm
 material metal parts: stainless steel
 (EN 10088-3/ 1.4404/ X2CrNiMo17-12-2)



	All Dimensions in mm Original Size DIN A4	Scale 1:1	Free size tol.		Ref. Sub.
	All rights reserved Department EL PD	Created by DYCKC	Inspected by EISFELD	Standardisation HOFFMANN	Date 2020-01-30
HARTING Electronics GmbH D-32339 Espelkamp		Title HARTING M12-L male crimp B-coded 5-pole			Doc-Key / ECM-Nr. 100527993/UGD/003/H 500000157722
		Type TB	Number 21038411535		Rev. H
					Page 1/1